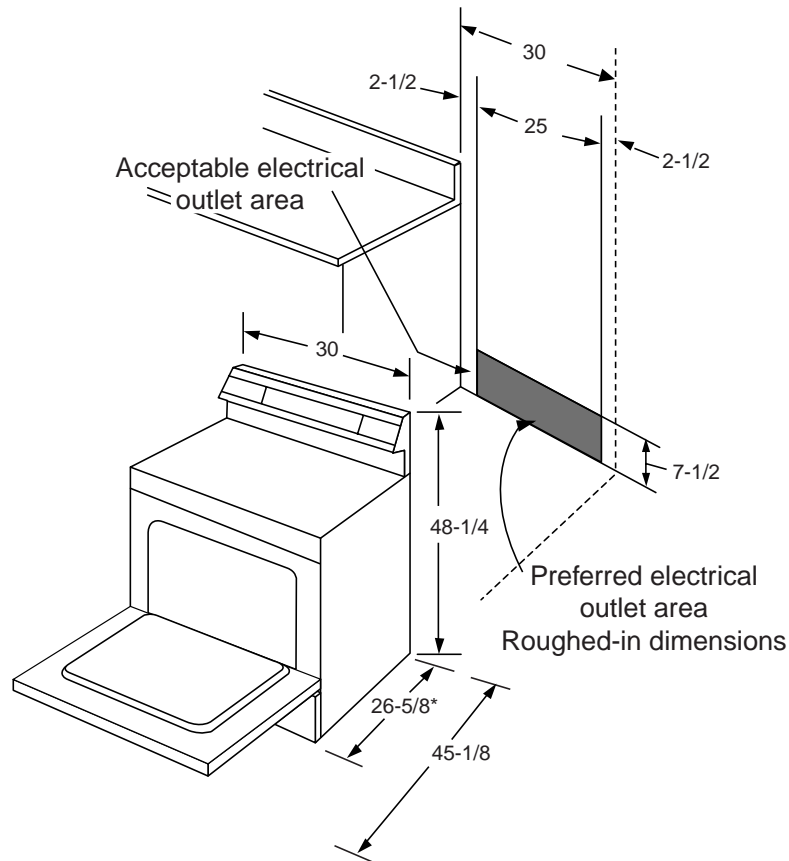




Profile Performance Series™

JB970SBSS - GE Profile Performance™ Spectra™ 30" Free-Standing QuickClean™ Electric Range

Dimensions and Installation Information (in inches)



*Dimension from wall to front of closed door handle is 28-7/8".

KW Rating	
240V	11.9
208V	8.9
Breaker Size	
40 Amps ¹	

¹**Note:** Check local codes for required breaker size.

A properly grounded branch circuit with a 3 prong grounding type receptacle is required for GE ranges.

Receptacle Locations

Locally approved flexible service cord or conduit must be used because terminals are not accessible after range installation. See shaded area in drawing for location of electrical outlet box. Recommended outlet locations allow range to be installed directly against wall.

Note: Conforms to U.L. requirements for 0" spacing for adjacent walls below countertops. To reduce possibility of scorching of walls, it is recommended a minimum of 1-1/2" spacing be allowed from adjacent side walls to allow for possible extended, high-heat, no-load heating element operation.

Installation Information: Before installing, consult installation instructions packed with product for current dimensional data.

For answers to your Monogram®, GE Profile Performance Series™, GE Profile™ or GE appliance questions, call GE Answer Center® service, 800.626.2000.



All GE ranges are equipped with an Anti-Tip device. The installation of this device is an important, required step in the installation of the range.

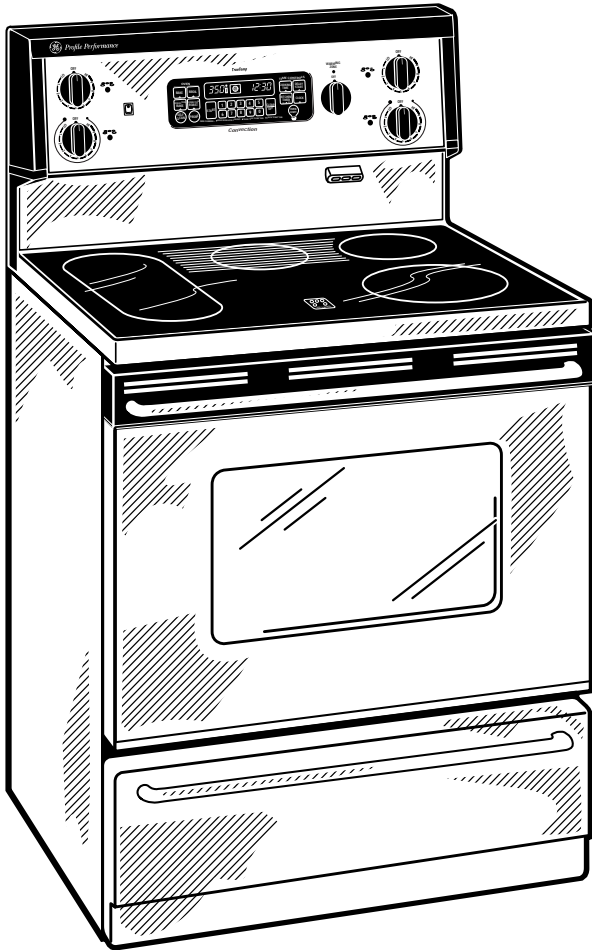


Listed by Underwriters Laboratories



Profile Performance Series™

JB970SBSS - GE Profile Performance™ Spectra™ 30" Free-Standing QuickClean™ Electric Range



Features and Benefits

- 3.7 Cu. Ft. Oven Capacity with 3 Oven Shelves
- Self-Cleaning Convection Oven with Auto Self-Clean Latch
- Black One-Piece Upswept Patterned Glass-Ceramic Cooktop
- One 6" (with Warming Zone), Two 7" (with Bridge Element) and One 6"/9" Dual Heating Element
- TrueTemp™ System with QuickSet V Controls
- Six-Pass Power Bake Element
- SmartLogic™ Oven Controls
- Convection Bake and Convection Roast with Automatic Meat Thermometer
- Digipad Numeric Entry
- Roasting Rack and Porcelain-Enameled Broiler Pan with Chrome-Plated Grid
- Time Bake with Delay Bake Option
- Auto Oven Shut-Off with Override
- Audible Preheat Signal
- Hot Surface Lights
- Oven "On" Light
- Delay Clean Option
- Stainless Steel Frameless Glass Oven Door with Window
- Full-Width Fluorescent Cooktop Night Light
- Stainless Steel Tubular Designer-Style Handle
- Stainless Steel Extra-Large Storage Drawer
- Model JB970SBSS - Stainless Steel