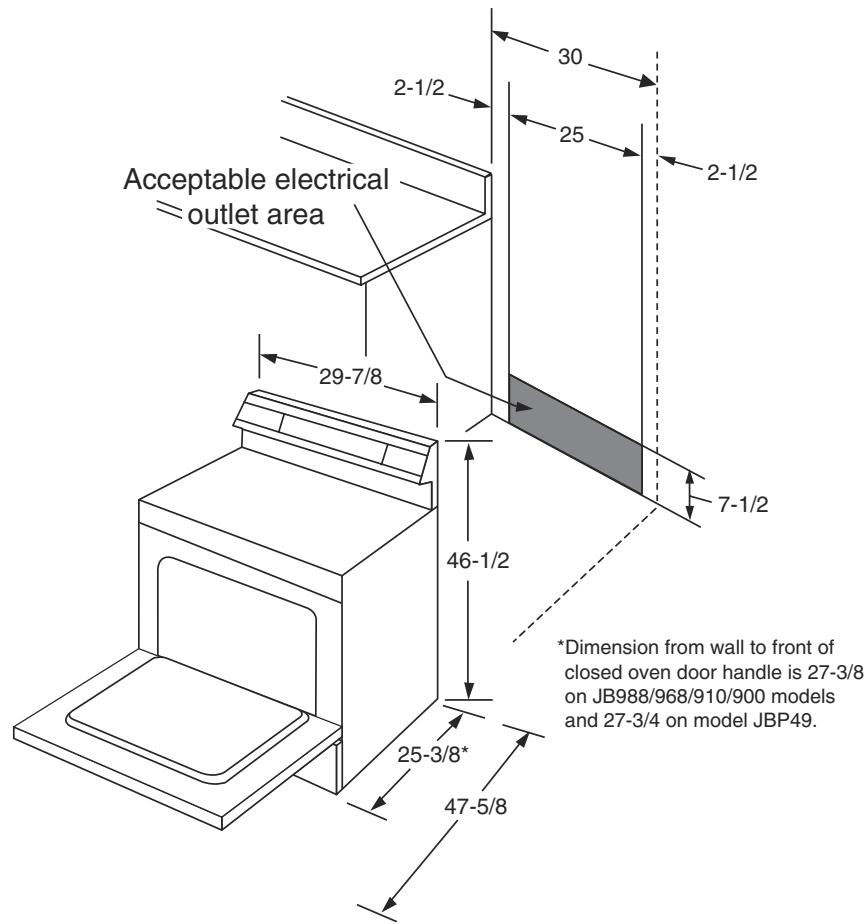




Profile™

## JB988TH/KH/BH – GE Profile™ 30" Free-Standing CleanDesign Electric Range

### Dimensions (in inches)



KW Rating	
240V	13.0
208V	10.9
Breaker Size	
40 Amps†	

†Note: Check local codes for required breaker size.

Effective January 1, 1996, the National Electrical Code requires that new construction (not existing) utilize a 4-conductor connection to an electric range.

### Receptacle Locations

Locally approved flexible service cord or conduit must be used because terminals are not accessible after range installation. See shaded area in drawing for location of electrical outlet box. Recommended outlet locations allow range to be installed directly against wall.

**Note:** 30" ranges conform to U.L. requirements for 0" spacing from adjacent walls below countertops. To reduce possibility of scorching walls, engineering recommends a minimum of 1-1/2" spacing to allow for possible extended, high-heat, no-load heating element operation.

**Installation Information:** Before installing, consult installation instructions packed with product for current dimensional data.



All GE ranges are equipped with an Anti-Tip device. The installation of this device is an important, required step in the installation of the range.



Listed by Underwriters Laboratories



For answers to your Monogram®, GE Profile™ or GE® appliance questions, visit our website at [ge.com](http://ge.com) or call GE Answer Center® service, 800.626.2000.

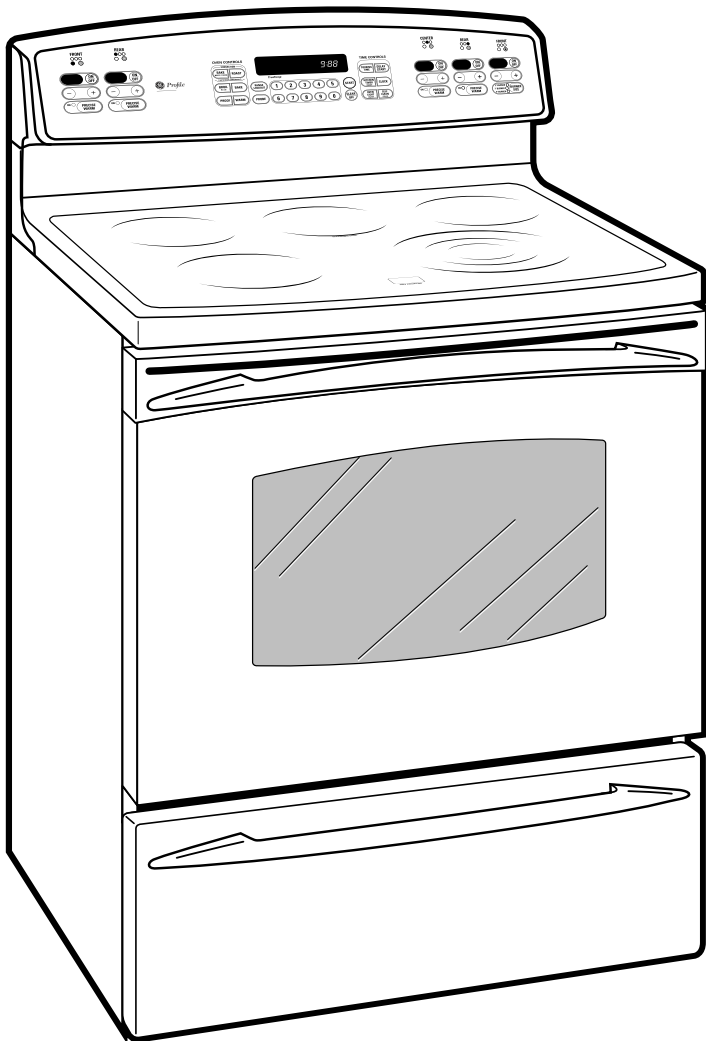
Specification Revised 6/05

221074



*Profile™*

## JB988TH/KH/BH – GE Profile™ 30" Free-Standing CleanDesign Electric Range



### Features and Benefits

- Precise Air™ convection system – Delivers even air and heat circulation for superior baking and roasting results.
- Convection bake (multi-rack) – Provides ideal convection baking for multiple racks of food, ensuring superb results.
- Tri 5/7/9" ribbon heating element – Offers a convenient choice of using a 5", 7" or 9" heating element, depending on the size of the pan.
- Precise Digital Control System™ – Delivers accurate control on the cooktop, ensuring even heating and less temperature variation.
- Self-clean oven – Conveniently cleans the oven cavity without the need for scrubbing.
- Self-clean heavy-duty oven racks – Double coated porcelain-enameled racks no longer require hand cleaning.
- TrueTemp™ system – Delivers even heat distribution and maximum oven control.
- Model JB988SHSS – Stainless steel with black accents
- Model JB988THWW – True white (white glass door and true white cooktop)
- Model JB988KHCC – True bisque (bisque glass door and true bisque cooktop)
- Model JB988BHBB – Black on black (black glass door and black patterned cooktop)

Specification Revised 6/05

221074