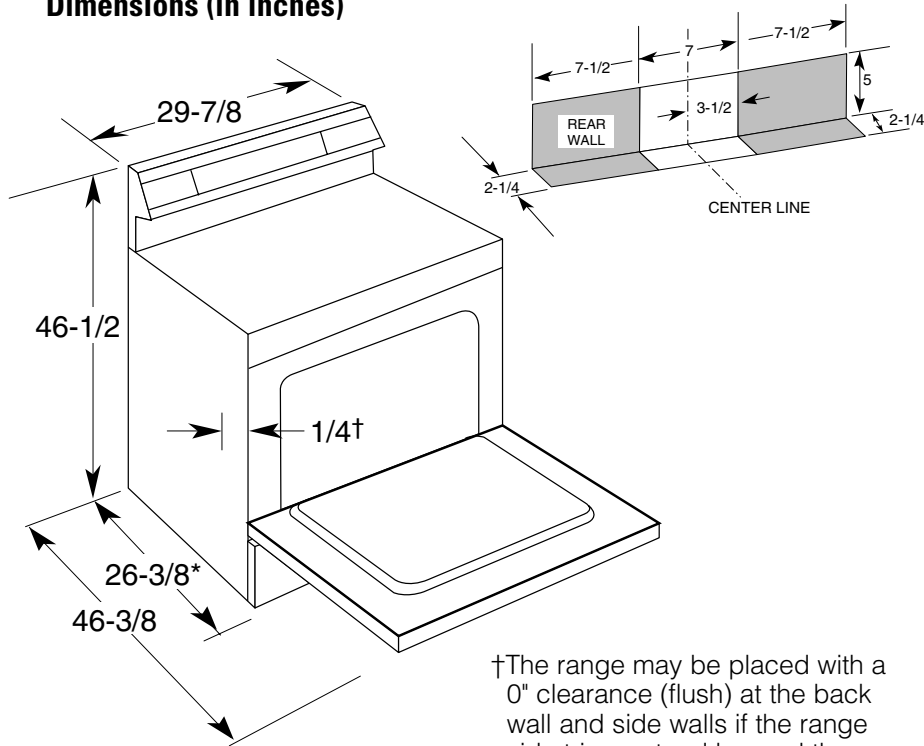




GE Appliances

JBP21WC—GE 5.0 Cu. Ft. Free-Standing Electric Range

Dimensions (in inches)



†The range may be placed with a 0" clearance (flush) at the back wall and side walls if the range side trims extend beyond the cabinet fronts at least 1/4". Self Clean models only.

*Dimensions from wall to front of closed oven door.
 †Dimensions from wall to front of closed oven door handle is 28-1/2".

KW Rating	
240V	10.8
208V	8.1
Breaker Size	
40 Amps†	

†**Note:** Check local codes for required breaker size.

A properly grounded branch circuit with a 3 prong grounding type receptacle is required for GE ranges.

Receptacle Locations

Locally approved flexible service cord or conduit must be used because terminals are not accessible after range installation. See shaded area in drawing for location of electrical outlet box. Recommended outlet locations allow range to be installed directly against wall.

Note: 30" ranges conform to U.L. requirements for 0" spacing from adjacent walls below countertops. To reduce possibility of scorching of walls, engineering recommends a minimum of 1-1/2" spacing to allow for possible extended, high-heat, no-load heating element operation.

Installation Information: Before installing, consult installation instructions packed with product for current dimensional data.

For answers to your Monogram®,
 GE Profile Performance Series™,
 GE Profile™ or GE appliance questions, call
 GE Answer Center® service, 800.626.2000.



All GE ranges are equipped with an Anti-Tip device. The installation of this device is an important, required step in the installation of the range.

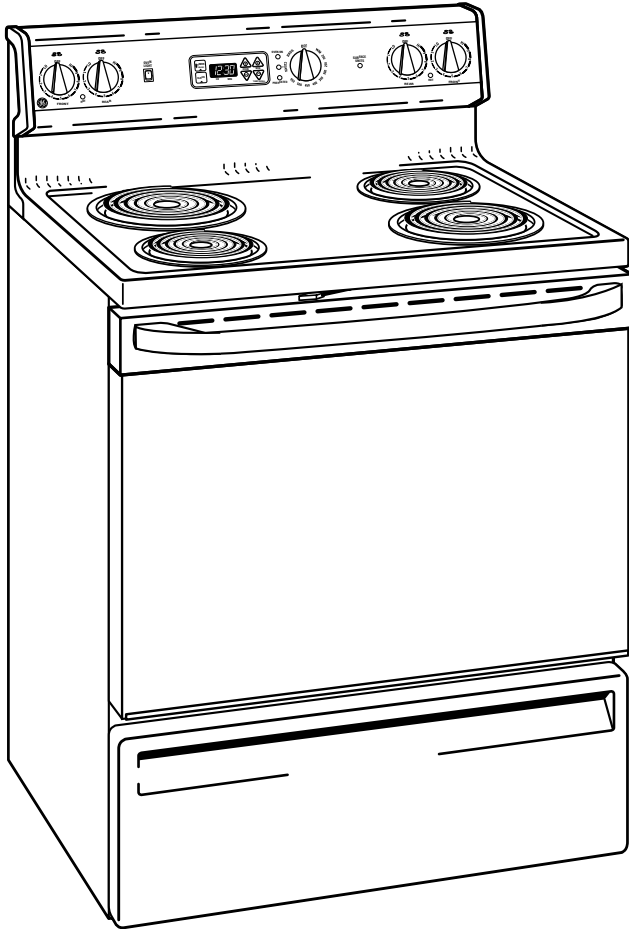


Listed by
 Underwriters
 Laboratories



GE Appliances

JBP21WC—GE 5.0 Cu. Ft. Free-Standing Electric Range



Features and Benefits

- Super Large 5.0 Cu. Ft. Oven Capacity
- Self-Cleaning Oven
- Clean-Well™ Cooktop System
- Lift-Up Upswept Porcelain-Enameled Cooktop with Dual Support Rods
- Two 6" and Two 8" Plug-in Calrod™ Heating Elements
- QuickSet II Oven Controls
- Removable One-Piece Drip Bowls
- Electronic Clock and Minute Timer
- Digital Temperature Display
- 2 Oven Shelves
- Infinite Heat Controls
- Auto Oven Shut-Off with Override
- Audible Preheat Signal with Light
- Heating Element "On" Indicator Light
- Dual Bake Element
- Self-Clean Cool-Down Time Display
- Interior Oven Light
- Porcelain-Enameled Broiler Pan with Chrome-Plated Grid
- Frameless Lift-Off Glass Oven Door
- Removable Full-Width Storage Drawer
- Designer-Style Handle
- Model JBP21WCWW - White on white
- Model JBP21BCWH - White
- Model JBP21BCAD - Almond

Specification Created 6/00