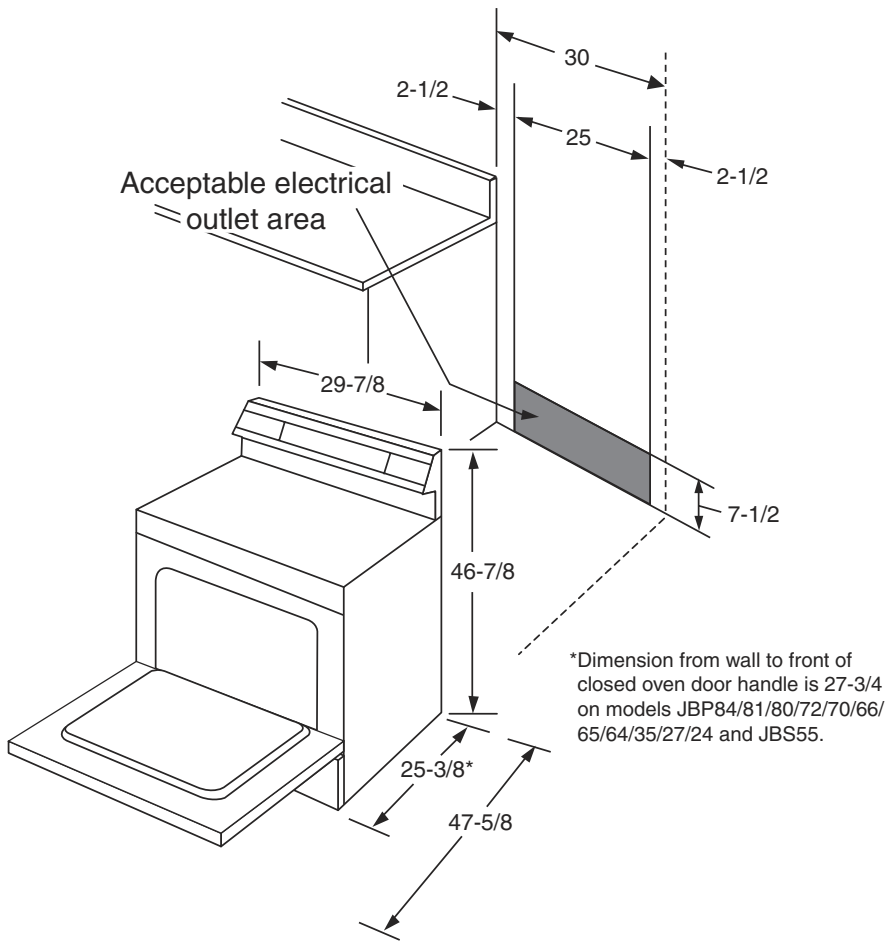




GE Appliances

JBP24WH/BH/EH – GE® 30" Free-Standing QuickClean™ Electric Range

Dimensions (in inches)



KW Rating	
240V	10.5
208V	7.9
Breaker Size	
40 Amps [†]	

[†]Check local codes for required breaker size.

Effective January 1, 1996, the National Electrical Code requires that new construction (not existing) utilize a 4-conductor connection to an electric range.

Receptacle Locations

Locally approved flexible service cord or conduit must be used because terminals are not accessible after range installation. See shaded area in drawing for location of electrical outlet box. Recommended outlet locations allow range to be installed directly against wall.

Note: 30" ranges conform to U.L. requirements for 0" spacing from adjacent walls below countertops. To reduce possibility of scorching walls, engineering recommends a minimum of 1-1/2" spacing to allow for possible extended, high-heat, no-load heating element operation.

Installation Information: Before installing, consult installation instructions packed with product for current dimensional data.



All GE ranges are equipped with an Anti-Tip device. The installation of this device is an important, required step in the installation of the range.



Listed by
Underwriters
Laboratories

For answers to your Monogram,® GE Profile™ or GE® appliance questions, visit our website at ge.com or call GE Answer Center® service, 800.626.2000.

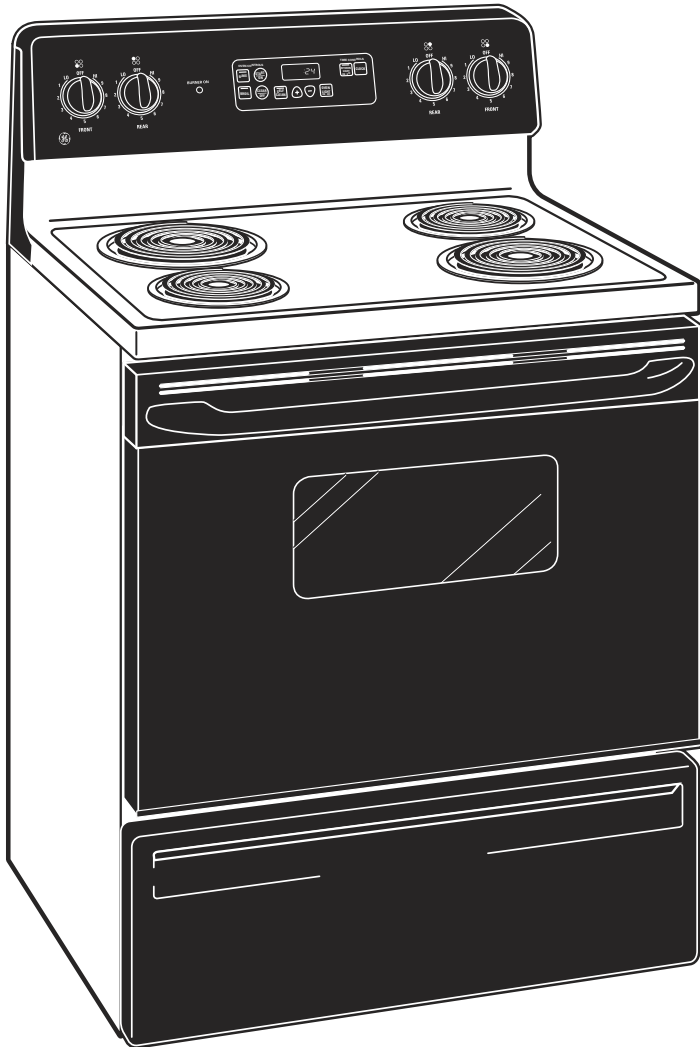
Specification Revised 6/05

322027



GE Appliances

JBP24WH/BH/EH – GE® 30" Free-Standing QuickClean™ Electric Range



Features and Benefits

- Self-Clean Oven – Conveniently cleans the oven cavity without the need for scrubbing.
- Super-Large Oven Capacity – Provides an impressively large oven interior for cooking more dishes and large meals at one time.
- QuickSet III Oven Controls – Feature the easy to use design that allows you to set precise cooking temperatures.
- Coil Heating Elements – Provide consistent and even heat on the cooktop with a plug-in element that is removable for easy cleaning.
- ClearView™ Window – Features a convenient viewing area to check the progress of food.
- Dual Element Bake – Alternates the upper broiling element and the lower baking element for even heating and optimal baking results.
- Chrome Drip Bowls – Contain minor spills and are removable for easy cleaning.
- Model JBP24WHWW – White on white (white door and white cooktop)
- Model JBP24BHWH – White (black door and white cooktop)
- Model JBP24BHCT – Bisque (black door and bisque cooktop)
- Model JBP24EHBB – Black (black door and black cooktop)

Specification Revised 6/05

322027