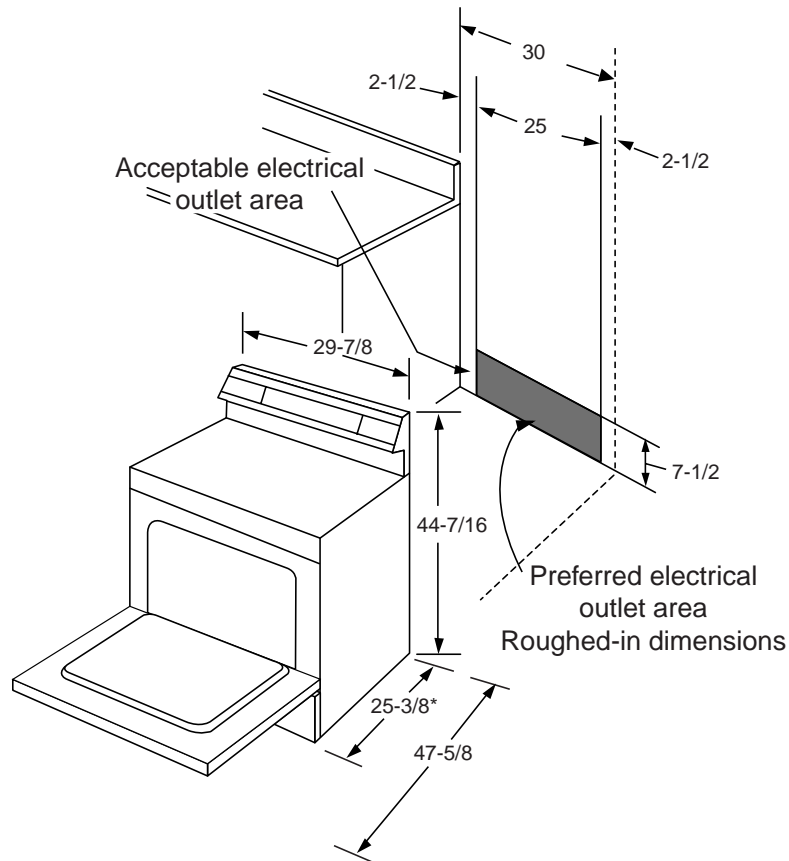




GE Appliances

## JBP30BBAD—GE 30" Free-Standing QuickClean™ Electric Range

Dimensions (in inches)



\*Dimension from wall to front of closed door handle is 27-3/4".

KW Rating	
240V	11.7
208V	8.8
Breaker Size	
40 Amps <sup>†</sup>	

<sup>†</sup>**Note:** Check local codes for required breaker size.

A properly grounded branch circuit with a 3 prong grounding type receptacle is required for GE ranges.

### Receptacle Locations

Locally approved flexible service cord or conduit must be used because terminals are not accessible after range installation. See shaded area in drawing for location of electrical outlet box. Recommended outlet locations allow range to be installed directly against wall.

**Note:** 30" ranges conform to U.L. requirements for 0" spacing from adjacent walls below countertops. To reduce possibility of scorching of walls, engineering recommends a minimum of 1-1/2" spacing to allow for possible extended, high-heat, no-load heating element operation.

**Installation Information:** Before installing, consult installation instructions packed with product for current dimensional data.

For answers to your Monogram®, GE Profile Performance Series™, GE Profile™ or GE appliance questions, call GE Answer Center® service, 800.626.2000.



All GE ranges are equipped with an Anti-Tip device. The installation of this device is an important, required step in the installation of the range.

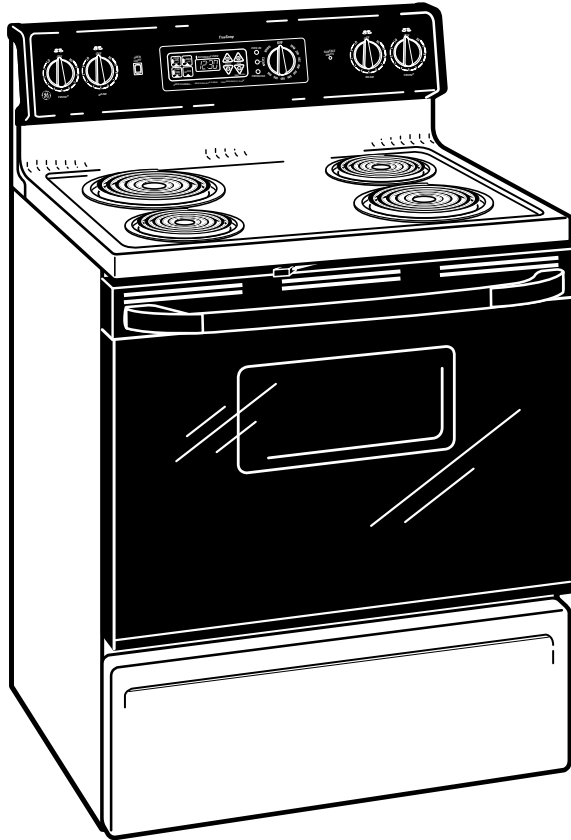


Listed by Underwriters Laboratories



*GE Appliances*

## ***JBP30BBAD—GE 30" Free-Standing QuickClean™ Electric Range***



### ***Features and Benefits***

- Super Large 5.0 Cu. Ft. Oven Capacity
- Clean-Well™ Cooktop System
- Lift-Up Upswept Porcelain-Enameled Cooktop with Dual Support Rods
- Two 8" and Two 6" Deluxe Plug-in Calrod™ Heating Elements
- TrueTemp™ System with QuickSet III Oven Controls
- SmartLogic™ Oven Controls
- Removable One-Piece Drip Bowls
- Self-Cleaning Oven
- Electronic Clock and Minute Timer
- Time Bake with Delay Option
- Six-Pass Power Bake Element
- 2 Oven Shelves
- Auto Oven Shut-Off with Override
- Audible Preheat Signal with Light
- Heating Element "On" Indicator Light
- Dual Bake Element
- Porcelain-Enameled Broiler Pan with Chrome-Plated Grid
- Frameless Lift-Off Glass Oven Door with Window
- Color-Matched Removable Full-Width Storage Drawer
- Designer-Style Handle
- Model JBP30WBWW - White on white
- Model JBP30ABAA - Almond on almond
- Model JBP30BBWH - White
- Model JBP30BBAD - Almond

***Specification Revised 4/99***