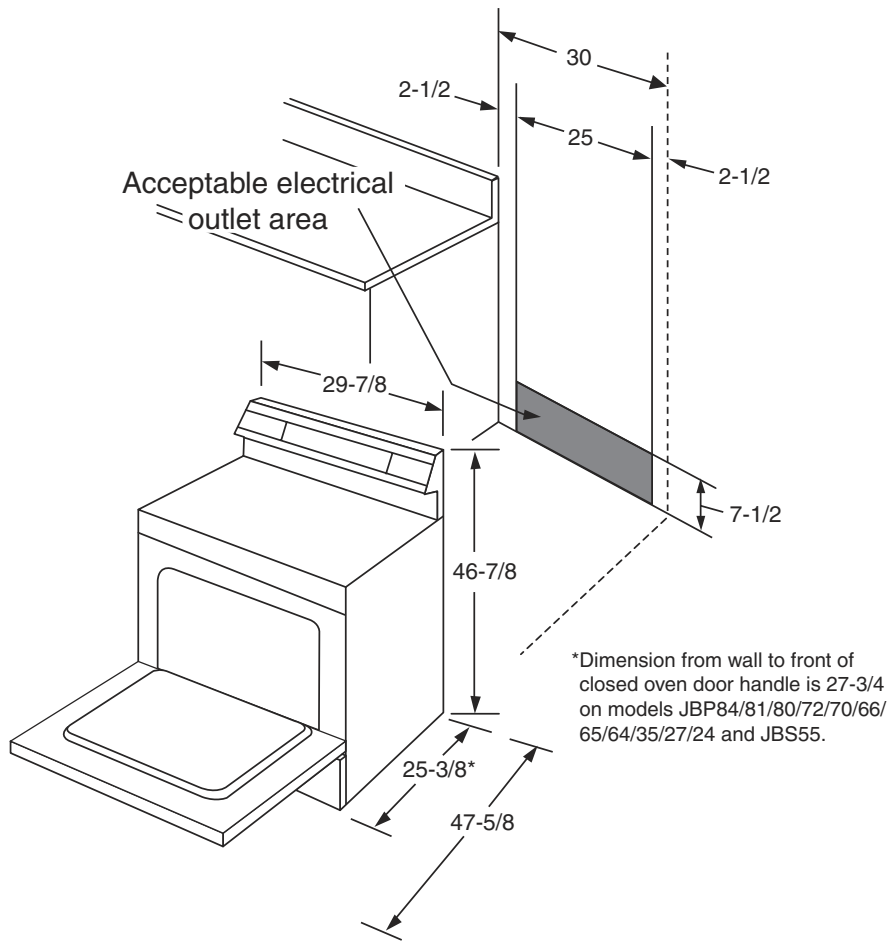




GE Appliances

## JBP35BH – GE® 30" Free-Standing QuickClean™ Electric Range

Dimensions (in inches)



KW Rating	
240V	11.7
208V	8.8
Breaker Size	
40 Amps†	

†Check local codes for required breaker size.

Effective January 1, 1996, the National Electrical Code requires that new construction (not existing) utilize a 4-conductor connection to an electric range.

### Receptacle Locations

Locally approved flexible service cord or conduit must be used because terminals are not accessible after range installation. See shaded area in drawing for location of electrical outlet box. Recommended outlet locations allow range to be installed directly against wall.

**Note:** 30" ranges conform to U.L. requirements for 0" spacing from adjacent walls below countertops. To reduce possibility of scorching walls, engineering recommends a minimum of 1-1/2" spacing to allow for possible extended, high-heat, no-load heating element operation.

**Installation Information:** Before installing, consult installation instructions packed with product for current dimensional data.



All GE ranges are equipped with an Anti-Tip device. The installation of this device is an important, required step in the installation of the range.



Listed by Underwriters Laboratories

For answers to your Monogram®, GE Profile™ or GE® appliance questions, visit our website at [ge.com](http://ge.com) or call GE Answer Center® service, 800.626.2000.

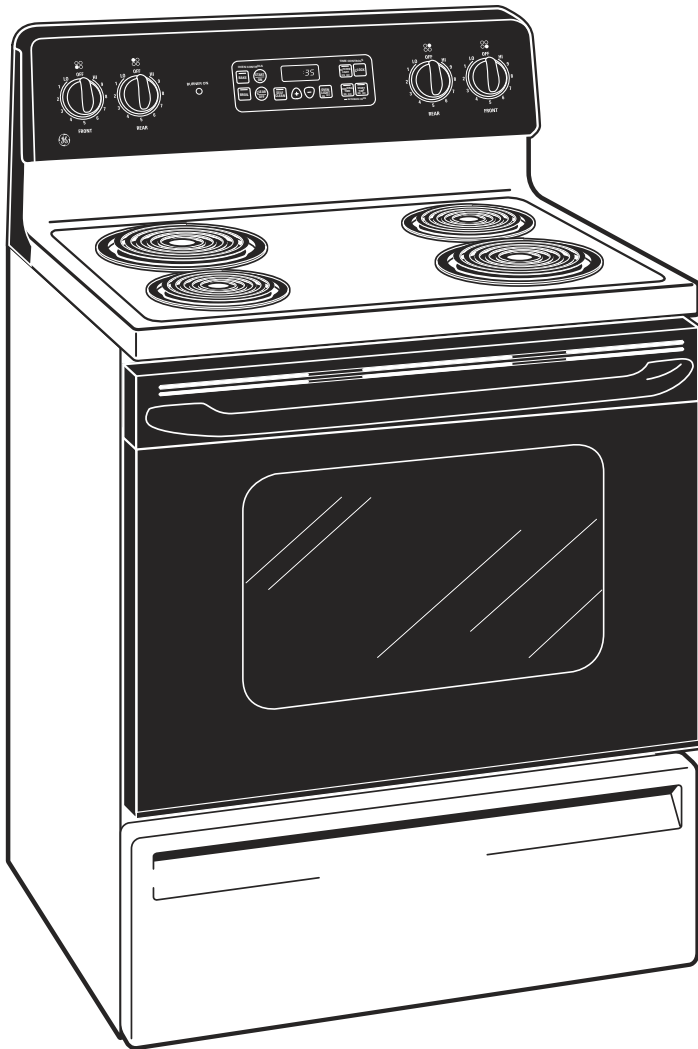
Specification Revised 6/05

322007



**GE Appliances**

## **JBP35BH – GE® 30" Free-Standing QuickClean™ Electric Range**



### **Features and Benefits**

- Self-Clean Oven – Conveniently cleans the oven cavity without the need for scrubbing.
- Super-Large Oven Capacity – Provides an impressively large oven interior for cooking more dishes and large meals at one time.
- TrueTemp™ System – Delivers even heat distribution and maximum oven control.
- QuickSet IV Oven Controls – Feature an easy to use design that lets you set precise cooking temperatures.
- Coil Heating Elements – Provide consistent and even heat on the cooktop with a plug-in element that is removable for easy cleaning.
- Big ClearView™ Window – An extra large clear window makes monitoring the progress of food easy.
- Dual Element Bake – Alternates the upper broiling element and the lower baking element for even heating and optimal baking results.
- Model JBP35WHWW – White on white (white door and white cooktop)
- Model JBP35CHCC – Bisque on bisque (bisque door and bisque cooktop)
- Model JBP35EHBB – Black on black (black door and black cooktop)
- Model JBP35BHWH – White (black door and white cooktop)
- Model JBP35BHCT – Bisque (black door and bisque cooktop)

**Specification Revised 6/05**

322007