

JBP35SD

GE® 30" Free-Standing Electric Range

Dimensions and Installation Information (in inches)

KW Rating	
240V	12.9
208V	9.7
Breaker Size	
40 Amps†	

†**Note:** Check local codes for required breaker size.

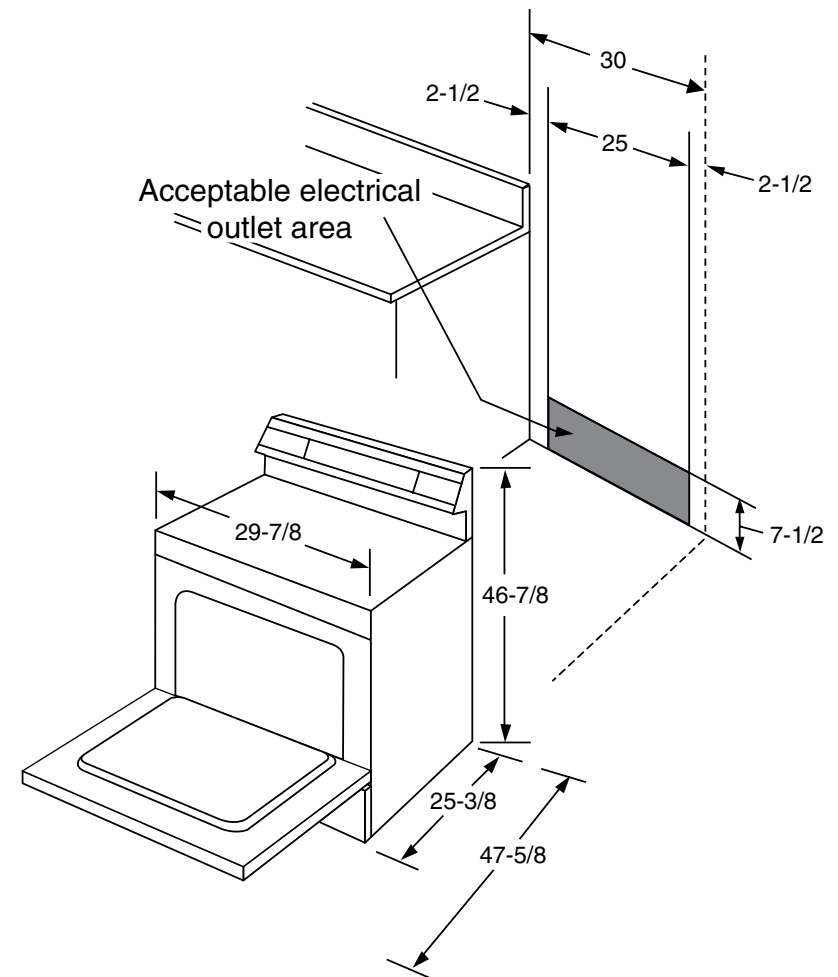
Effective January 1, 1996, the National Electrical Code requires that new construction (not existing) utilize a 4-conductor connection to an electric range.

Receptacle Locations: Locally approved flexible service cord or conduit must be used because terminals are not accessible after range installation. See shaded area in drawing for location of electrical outlet box. Recommended outlet locations allow range to be installed directly against wall.

Note: 30" ranges conform to U.L. requirements for 0" spacing from adjacent walls above and below countertops. To reduce possibility of scorching walls, engineering recommends a minimum of 1-1/2" spacing to allow for possible extended, high-heat, no-load heating element operation.

Installation information: Before installing, consult installation instructions packed with product for current dimensional data.

For answers to your Monogram®, GE Profile™ or GE® appliance questions, visit our website at geappliances.com or call GE Answer Center® service, 800.626.2000.



Dimension from wall to front of closed door handle is 27-3/4".



All GE ranges are equipped with an Anti-Tip device. The installation of this device is an important, required step in the installation of the range.



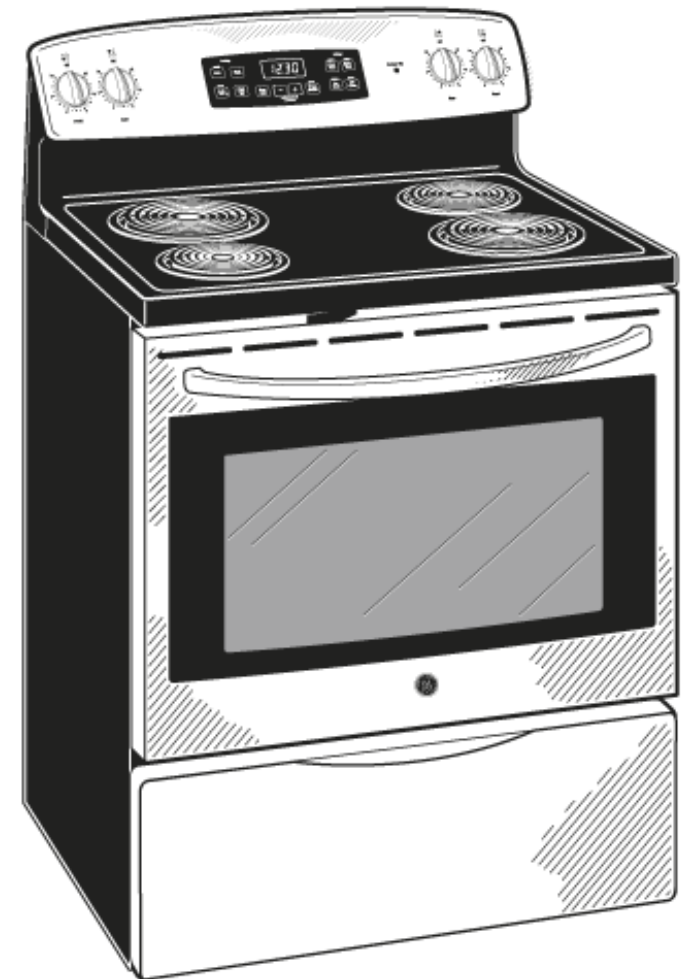
Listed by Underwriters Laboratories

JBP35SD

GE® 30" Free-Standing Electric Range

Features and Benefits

- Self-clean oven - Conveniently cleans the oven cavity without the need for scrubbing
- 5.3 cu. ft. oven capacity - Enough room to cook an entire meal at once
- PowerBoil coil element - Produces rapid, powerful heat
- Heavy-duty roller rack - Provides easy access to oven interior
- Big view window - Extra large glass window eliminates the strain of checking on cooking foods
- Dual element bake - This top-and-bottom heating produces uniform browning and fast oven preheating
- Removable full-width storage drawer - Store cookware or kitchen accessories
- Model JBP35SDSS - Stainless steel (Stainless steel door and control panel /black cooktop)



imagination at work