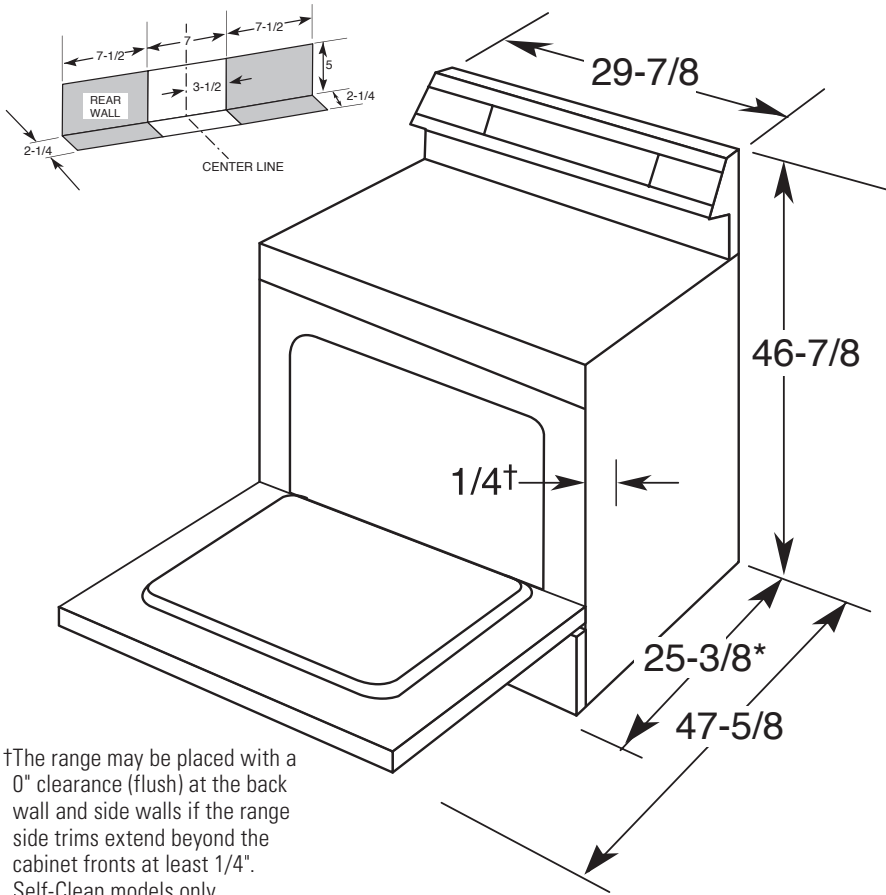




GE Appliances

## JBP64SH – GE® 30" Free-Standing CleanDesign™ Electric Range

### Dimensions and Installation Information (in inches)



KW Rating	
240V	10.5
208V	7.9
Breaker Size	
40 Amps†	

†Note: Check local codes for required breaker size.

Effective January 1, 1996, the National Electrical Code requires that new construction (not existing) utilize a 4-conductor connection to an electric range.

#### Receptacle Locations

Locally approved flexible service cord or conduit must be used because terminals are not accessible after range installation. See shaded area in drawing for location of electrical outlet box. Recommended outlet locations allow range to be installed directly against wall.

**Note:** Conforms to U.L. requirements for 0" spacing for adjacent walls below countertops. To reduce possibility of scorching walls, it is recommended a minimum of 1-1/2" spacing be allowed from adjacent side walls to allow for possible extended, high-heat, no-load heating element operation.

**Installation Information:** Before installing, consult installation instructions packed with product for current dimensional data.



All GE ranges are equipped with an Anti-Tip device. The installation of this device is an important, required step in the installation of the range.



Listed by Underwriters Laboratories

†The range may be placed with a 0" clearance (flush) at the back wall and side walls if the range side trims extend beyond the cabinet fronts at least 1/4". Self-Clean models only

\*Dimension from wall to front of closed door handle is 27-3/4"

Specification Revised 9/04

321555

For answers to your Monogram®, GE Profile™ or GE® appliance questions, visit our website at [ge.com](http://ge.com) or call GE Answer Center® service, 800.626.2000.



**GE Appliances**

## **JBP64SH – GE® 30" Free-Standing CleanDesign™ Electric Range**



### **Features and Benefits**

- Self-Clean Oven – Conveniently cleans the oven cavity without the need for scrubbing.
- Super-Large Oven Capacity – Provides an impressively large oven interior for cooking more dishes and large meals at one time.
- QuickSet III Oven Controls – Feature the easy to use design that allows you to set precise cooking temperatures.
- Ribbon Heating Elements – Provide powerful heat beneath a smooth glass surface to ensure even heat and fast warm-up times.
- Ceramic Glass Cooktop – A smooth cooktop surface makes cleaning quick and easy.
- ClearView™ Window – Features a convenient viewing area to check the progress of food.
- Dual Element Bake – Alternates the upper broiling element and the lower baking element for even heating and optimal baking results.
- Model JBP64WHWW – White on white (white door and white patterned cooktop)
- Model JBP64BHWH – White (black door and white patterned cooktop)
- Model JBP64BHCT – Bisque (black door and bisque patterned cooktop)
- Model JBP64SHSS – Stainless steel (stainless steel door and black patterned cooktop)

**Specification Revised 9/04**

321555