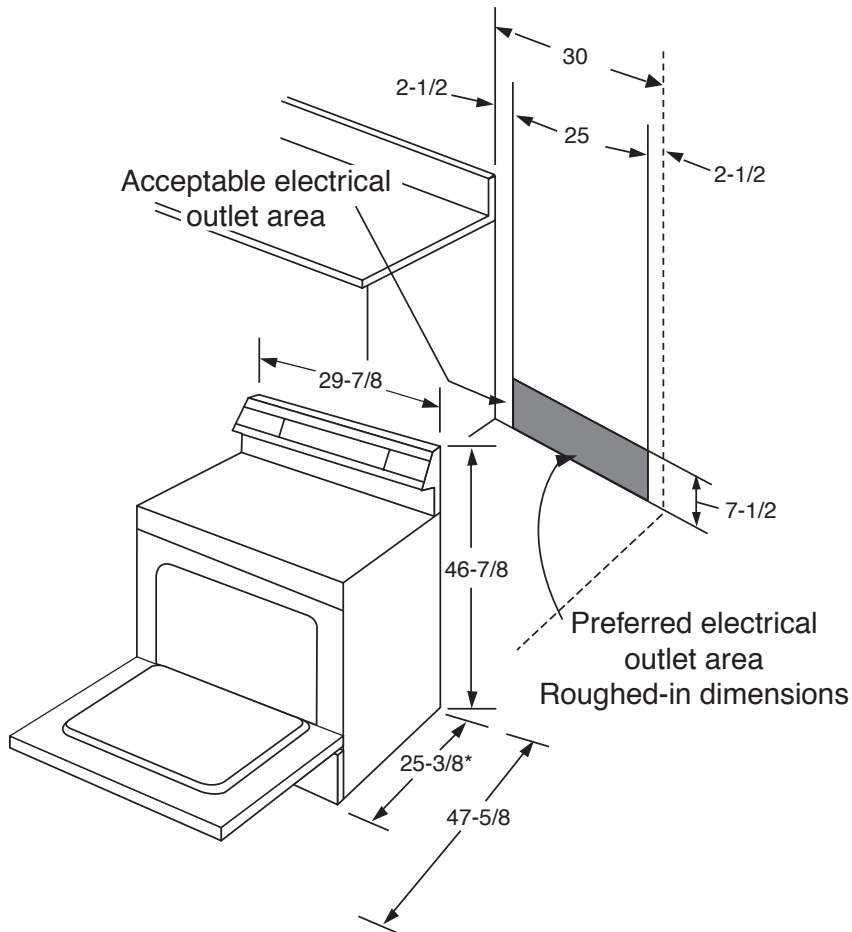




GE Appliances

JBP80SH/TH/WH/KH/CH/BH – GE® 30" Free-Standing CleanDesign Electric Range

Dimensions and Installation Information (in inches)



| KW Rating | |
|--------------|------|
| 240V | 11.0 |
| 208V | 8.3 |
| Breaker Size | |
| 40 Amps† | |

†**Note:** Check local codes for required breaker size.

Effective January 1, 1996, the National Electrical Code requires that new construction (not existing) utilize a 4-conductor connection to an electric range.

Receptacle Locations

Locally approved flexible service cord or conduit must be used because terminals are not accessible after range installation. See shaded area in drawing for location of electrical outlet box. Recommended outlet locations allow range to be installed directly against wall.

Note: Conforms to U.L. requirements for 0" spacing for adjacent walls below countertops. To reduce possibility of scorching walls, it is recommended a minimum of 1-1/2" spacing be allowed from adjacent side walls to allow for possible extended, high-heat, no-load heating element operation.

Installation Information: Before installing, consult installation instructions packed with product for current dimensional data.



All GE ranges are equipped with an Anti-Tip device. The installation of this device is an important, required step in the installation of the range.



Listed by Underwriters Laboratories



*Dimension from wall to front of closed door handle is 27-3/8"

Specification Revised 9/04

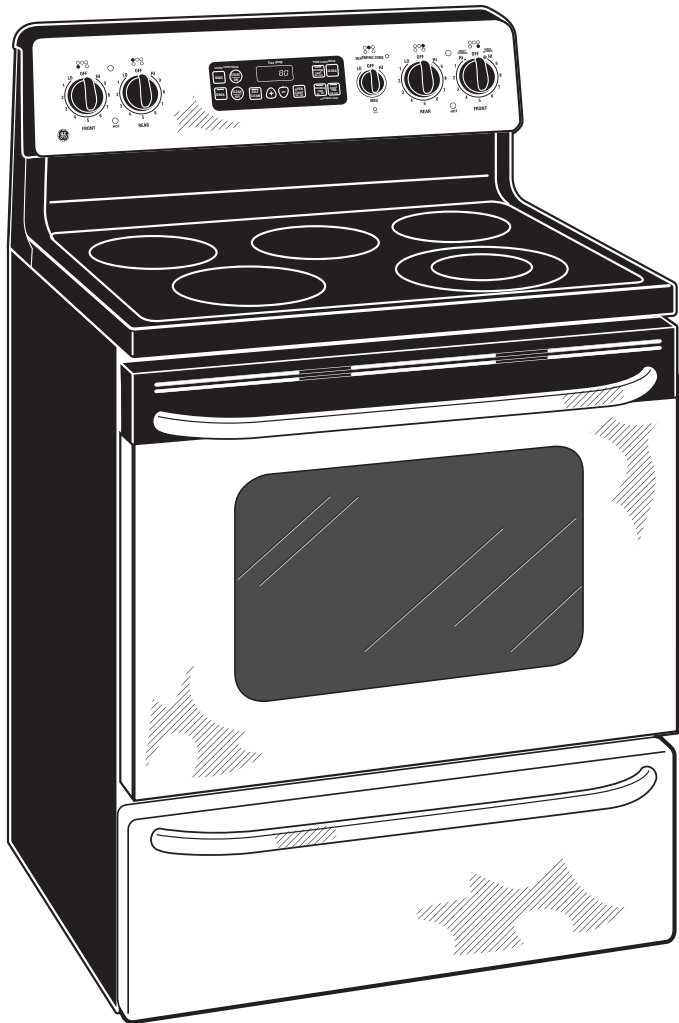
321545

For answers to your Monogram,® GE Profile™ or GE® appliance questions, visit our website at ge.com or call GE Answer Center® service, 800.626.2000.



GE Appliances

JBP80SH/TH/WH/KH/CH/BH – GE® 30" Free-Standing CleanDesign Electric Range



Features and Benefits

- Self-Clean Oven – Conveniently cleans the oven cavity without the need for scrubbing.
- Super-Large Oven Capacity – Provides an impressively large oven interior for cooking more dishes and large meals at one time.
- TrueTemp™ System – Delivers even heat distribution and maximum oven control.
- Dual Size Ribbon Element – Offers a convenient choice of using a 6" or 9" heating element, depending on the size of the pan.
- Warming Zone – Provides low heat capability for foods, making meal coordination simple.
- QuickSet IV Oven Controls – feature an easy to use design that lets you set precise cooking temperatures.
- Ceramic Glass Cooktop – A smooth cooktop surface makes cleaning quick and easy.
- Model JBP80SHFSS – Stainless steel with black accents
- Model JBP80THWW – True white (white door and true white cooktop)
- Model JBP80WHWW – White on white (white door and white patterned cooktop)
- Model JBP80KHCC – True Bisque (bisque door and true bisque cooktop)
- Model JBP80CHCC – Bisque on bisque (bisque door and bisque patterned cooktop)
- Model JBP80BHBB – Black on black (black door and black patterned cooktop)

Specification Revised 9/04

321545