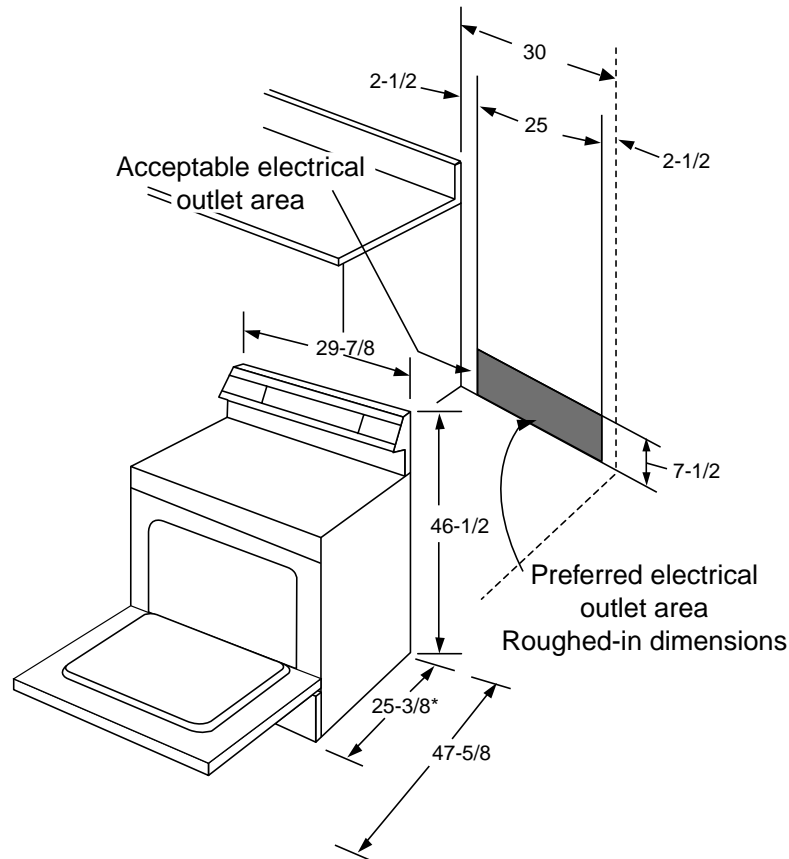




Profile™

## JBP95BF/KF/SF/TF-GE Profile™ 30" Free-Standing CleanDesign Electric Range

### Dimensions and Installation Information (in inches)



\*Dimension from wall to front of closed oven door handle is 27-3/8".

KW Rating	
240V	12.4
208V	9.3

**Receptacle Locations:** For 30" Free-Standing Ranges locally approved flexible service cord or conduit must be used because terminals are not accessible after range installation. See shaded area drawing for location of electrical outlet box. Recommended outlet locations allow range to be installed directly against wall.

**Note:** Conforms to U.L. requirements for 0" spacing for adjacent walls below countertops. To reduce possibility of scorching of walls, it is recommended a minimum of 1-1/2" spacing be allowed from adjacent side walls to allow for possible extended, high-heat, no-load heating element operation.

**Installation Information:** Before installing, consult installation instructions packed with product for current dimensional data.

For answers to your Monogram®, GE Profile™ or GE appliance questions, visit our website at [GEAppliances.com](http://GEAppliances.com) or call GE Answer Center® service, 800.626.2000.



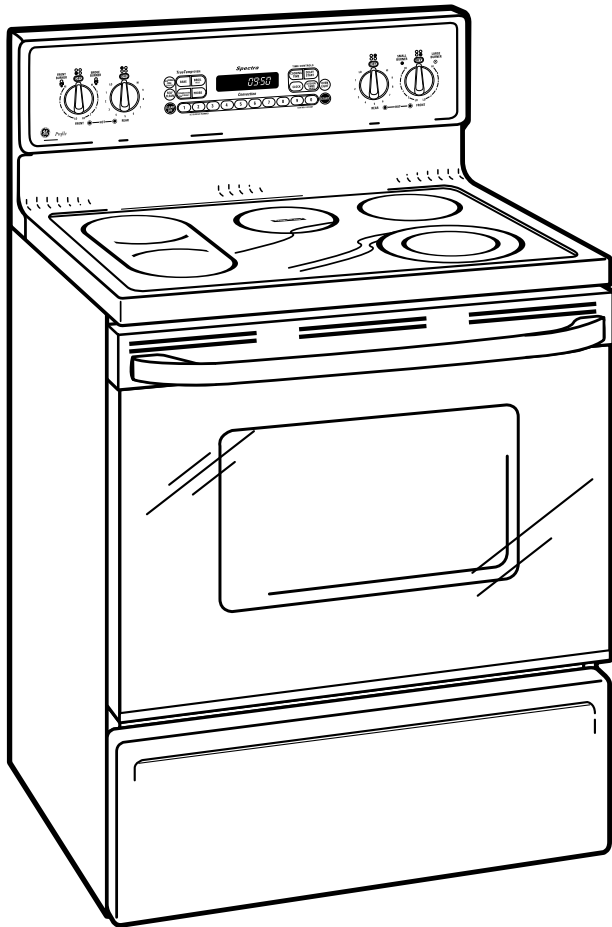
All GE ranges are equipped with an Anti-Tip device. The installation of this device is an important, required step in the installation of the range.





Profile™

## JBP95BF/KF/SF/TF–GE Profile™ 30" Free-Standing CleanDesign Electric Range



### Features and Benefits

- 4.5 Cu. Ft. Oven Capacity with 3 Heavy-Duty Oven Racks
- Self-Cleaning Convection Oven with Auto Self-Clean Latch and Delay Clean Option
- CleanDesign Oven Interior
- One-Piece Upswept Ceramic-Glass Cooktop
- One 6" (with Warming Zone), Two 7" (with Bridge Element) and One 6"/9" Dual Heating Element
- TrueTemp™ System with QuickSet V Oven Controls
- Six-Pass Power Bake Element
- SmartLogic™ Oven Controls
- Certified Sabbath Mode
- Convection Bake and Convection Roast with Automatic Meat Thermometer
- Convection Conversion
- Digital Temperature Display and Oven Function Icons
- Digipad Numeric Entry
- Roasting Rack and Broiler Pan with Grid
- Delay Bake
- Dual Element Bake
- Auto Oven Shut-Off with Override
- Audible Preheat Signal
- Hot Surface Lights
- Oven "On" Light and Interior Oven Light
- Control Lock Capability
- Frameless Glass Oven Door with Big ClearView™ Window
- Storage Drawer
- Sure-Grip Designer-Style Handle
- Model JBP95BFBB - Black on black
- Model JBP95SFSS - Stainless steel
- Model JBP95TFWW - True White
- Model JBP95KFCC - True Bisque

Specification Created 12/01