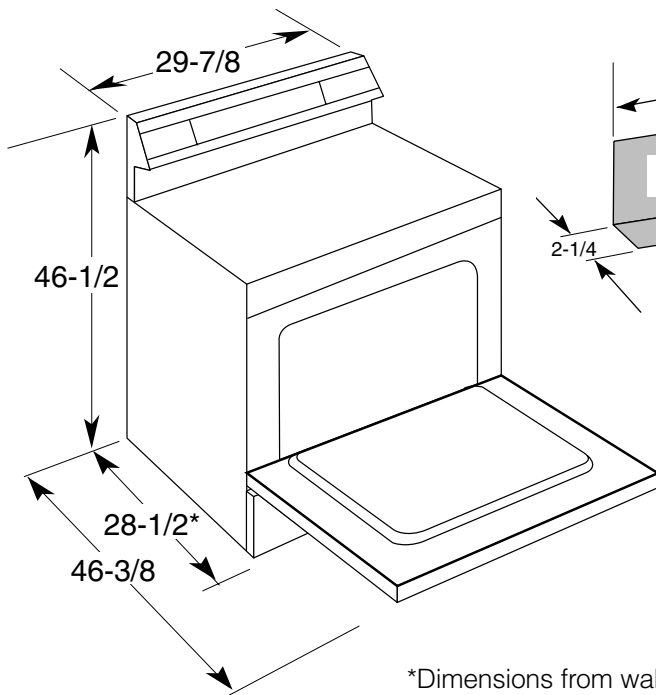




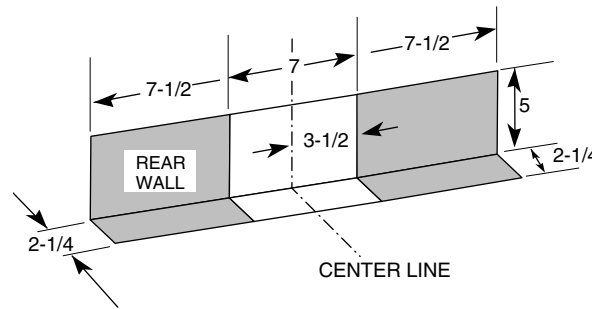
GE Appliances

## JBS03BCAD—GE 5.0 Cu. Ft. Free-Standing QuickClean™ Electric Range

Dimensions (in inches)



For all 30" Free-Standing Range models with coil heating elements



KW Rating	
240V	11.4
208V	9.0

### Receptacle Locations

For 30" Free-Standing Ranges locally approved flexible service cord or conduit must be used because terminals are not accessible after range installation. See shaded area in drawing for location of electrical outlet box. Recommended outlet locations allow range to be installed directly against wall.

**Note:** 30" Ranges conform to U.L. requirements for 0" spacing for adjacent walls below countertops. To reduce possibility of scorching of walls, it is recommended a minimum of 1-1/2" spacing be allowed from adjacent side walls to allow for possible extended, high-heat, no-load heating element operation.

**Installation Information:** Before installing, consult installation instructions packed with product for current dimensional data.

For answers to your Monogram®, GE Profile Performance Series™, GE Profile™ or GE appliance questions, call GE Answer Center® service, 800.626.2000.



All GE ranges are equipped with an Anti-Tip device. The installation of this device is an important, required step in the installation of the range.

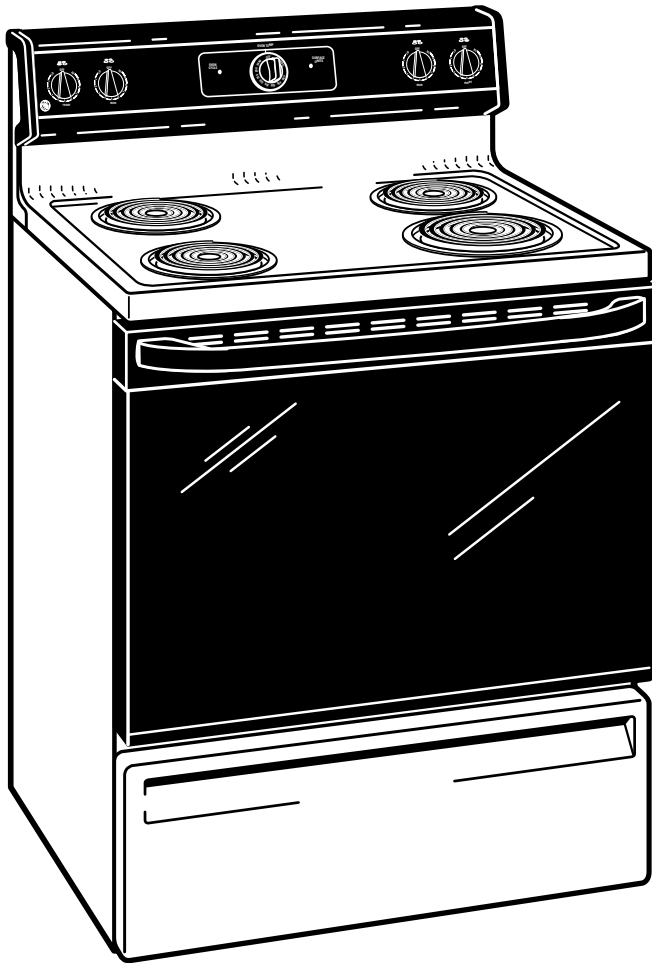


Listed by Underwriters Laboratories



**GE Appliances**

## **JBS03BCAD—GE 5.0 Cu. Ft. Free-Standing QuickClean™ Electric Range**



### **Features and Benefits**

- Super Large 5.0 Cu. Ft. Oven Capacity
- Clean-Well™ Cooktop System
- Lift-Up Upswept Porcelain-Enameled Cooktop with Dual Support Rods
- One 8" and Three 6" Plug-In Calrod™ Heating Elements
- Infinite Heat Controls
- Standard Clean Oven
- 2 Oven Shelves
- Dual Bake Element
- Porcelain-Enameled Broiler Pan with Chrome-Plated Grid
- Chrome Removable One-Piece Drip Bowls
- Heating Element "On" Light
- Black Removable Full-Width Storage Drawer
- Black Frameless Glass Lift-Off Oven Door
- Designer-Style Handle
- Model JBS03BCWH - White
- Model JBS03BCAD - Almond