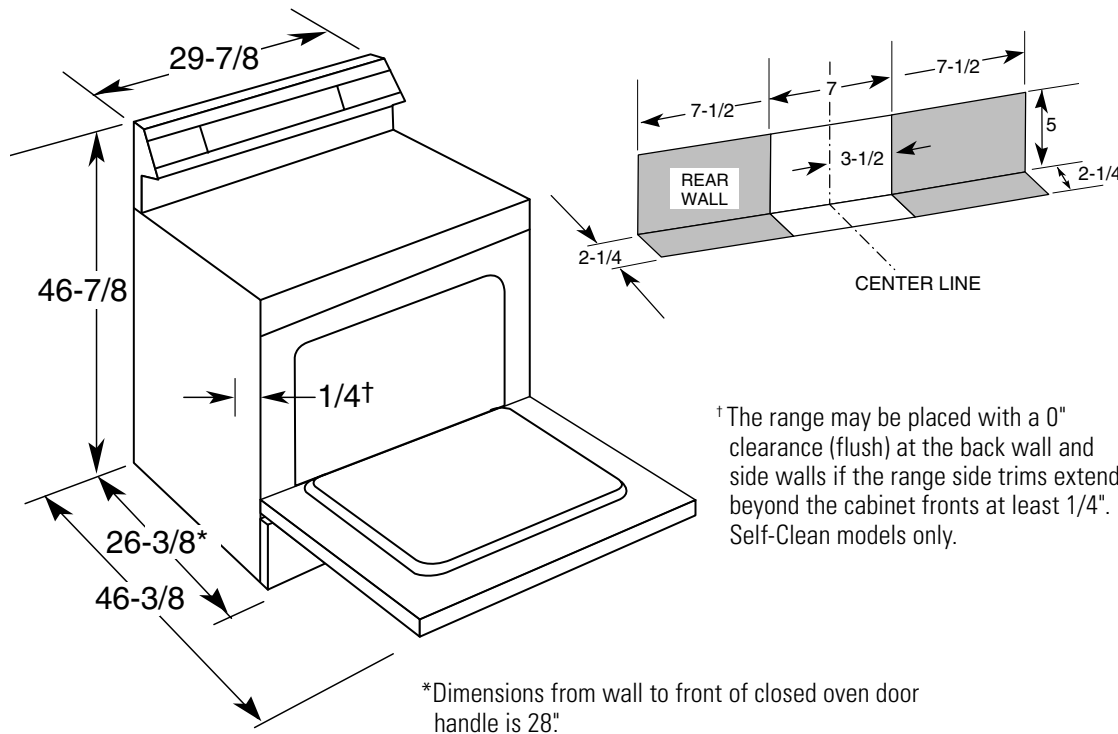




GE Appliances

JBS03BHHW/CT – GE® 30" Free-Standing QuickClean™ Electric Range

Dimensions (in inches)



KW Rating	
240V	11.4
208V	9.0
Breaker Size	
40 Amps†	

†**Note:** Check local codes for required breaker size.

Effective January 1, 1996, the National Electrical Code requires that new construction (not existing) utilize a 4-conductor connection to an electric range.

Receptacle Locations: For 30" Free-Standing Ranges locally approved flexible service cord or conduit must be used because terminals are not accessible after range installation. See shaded area in drawing for location of electrical outlet box. Recommended outlet locations allow range to be installed directly against wall.

Note: 30" Ranges conform to U.L. requirements for 0" spacing for adjacent walls below countertops. To reduce possibility of scorching walls, it is recommended a minimum of 1-1/2" spacing be allowed from adjacent side walls to allow for possible extended, high-heat, no-load heating element operation.

Installation Information: Before installing, consult installation instructions packed with product for current dimensional data.



All GE ranges are equipped with an Anti-Tip device. The installation of this device is an important, required step in the installation of the range.



Listed by Underwriters Laboratories

Specification Revised 11/05

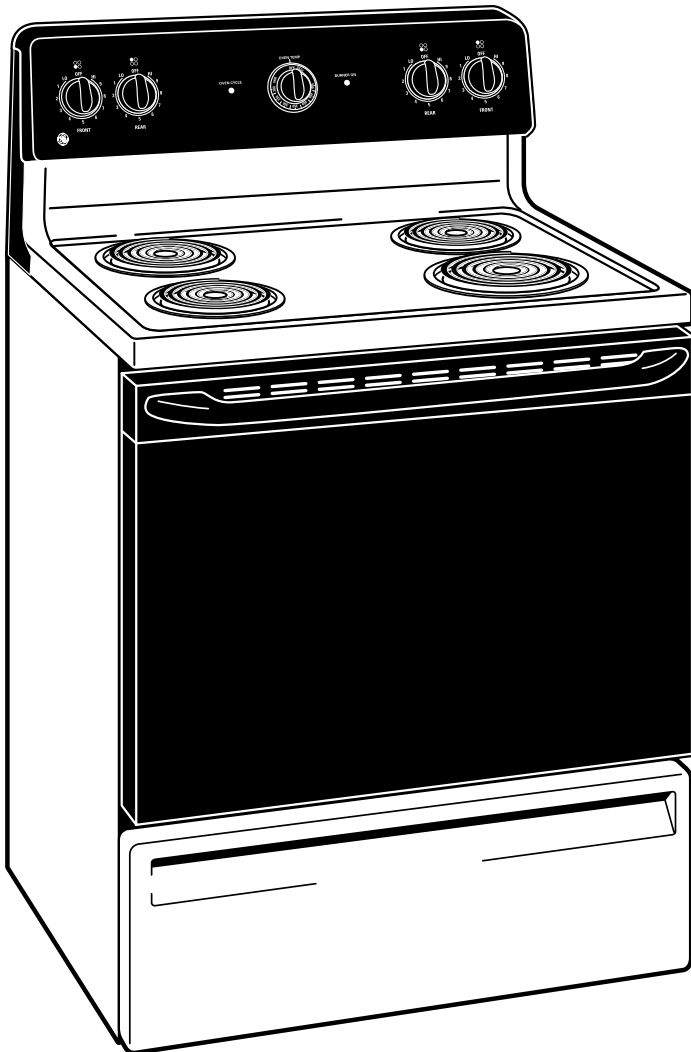
321669

For answers to your Monogram®, GE Profile™ or GE® appliance questions, visit our website at GEAppliance.com or call GE Answer Center® service, 800.626.2000.



GE Appliances

JBS03BWH/CT – GE® 30" Free-Standing QuickClean™ Electric Range



Features and Benefits

- Super Large Oven Capacity – Provides an impressively large oven interior for cooking more dishes and large meals at one time
- Coil Heating Elements – Provide consistent and even heat on the cooktop with a plug-in element that is removable for easy cleaning
- Dual Element Bake – Alternates the upper broiling element and lower baking element for even heating and optimal baking results
- Porcelain Oven Door – Offers a scratch-resistant porcelain coating for easy cleaning
- CleanWell Cooktop System – Ensures spills are properly contained, while providing convenient cleaning access
- Chrome Drip Bowls – Contain minor spills and are removable for easy cleaning
- Six Rack Positions – Provide flexibility and allow consumers to make the most of available oven capacity
- Model JBS03BWHH – White (black door and control panel/white cooktop)
- Model JBS03BHCT – Bisque (black door and control panel/bisque cooktop)

Specification Revised 11/05

321669