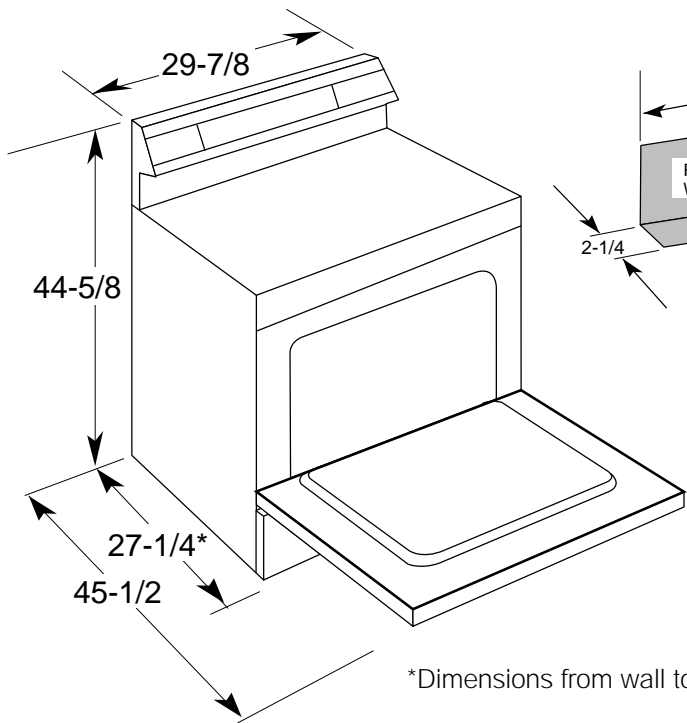




GE Appliances

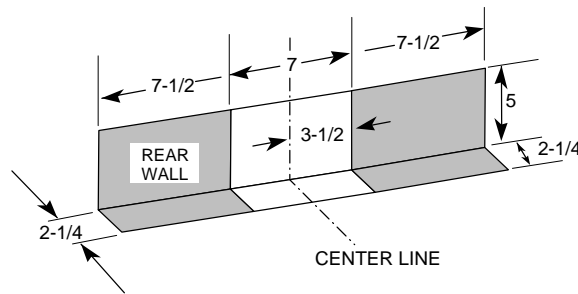
JBS05Y—30" Free-Standing QuickClean™ Electric Range

Dimensions (in inches)



*Dimensions from wall to front of closed oven door handle.

For all 30" Free-Standing Range models with coil heating elements



KW Rating	
240V	9.3
208V	6.9

Receptacle Locations

For 30" Free-Standing Ranges locally approved flexible service cord or conduit must be used because terminals are not accessible after range installation. See shaded area in drawing for location of electrical outlet box. Recommended outlet locations allow range to be installed directly against wall.

Note: 30" Ranges conform to U.L. requirements for 0" spacing for adjacent walls below countertops. To reduce possibility of scorching of walls, it is recommended a minimum of 1-1/2" spacing be allowed from adjacent side walls to allow for possible extended, high-heat, no-load heating element operation.

Installation Information: Before installing, consult installation instructions packed with product for current dimensional data.

For answers to your GE Monogram™, GE Profile™, GE, Hotpoint and RCA appliance questions, call GE Answer Center® service, 800.626.2000.



All GE ranges are equipped with an Anti-Tip device. The installation of this device is an important, required step in the installation of the range.

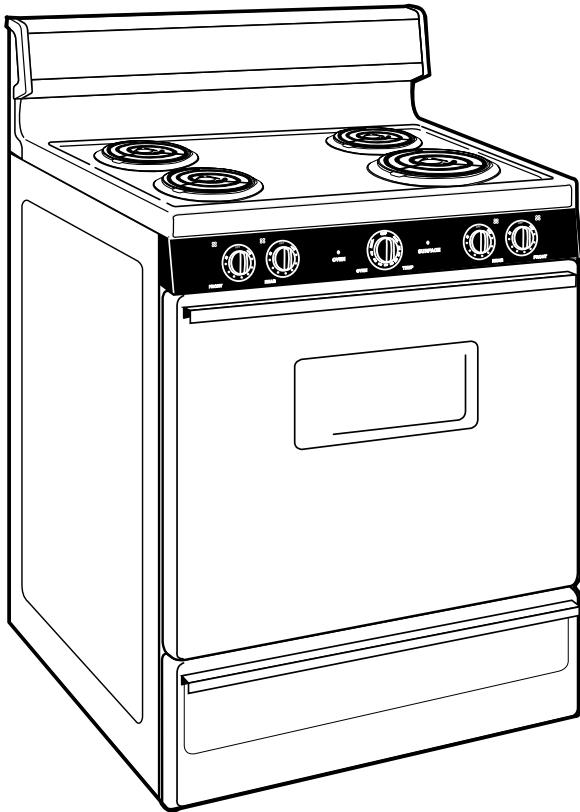


Listed by Underwriters Laboratories



GE Appliances

JBS05Y—30" Free-Standing QuickClean™ Electric Range



Features and Benefits

- Available in White or Almond
- Upswept Porcelain-Enameled Cooktop
- Standard Clean Oven
- Color-Matched Lift-Off Oven Door With Window
- Upfront Controls
- 2 Oven Shelves
- Interior Oven Light
- Porcelain-Enameled Broiler Pan/Chrome-Plated Grid
- Color-Matched Removable Full-Width Storage Drawer
- One 8" and Three 6" Plug-In Heating Elements
- Removable Chrome One-Piece Drip Bowls
- Visor Handle