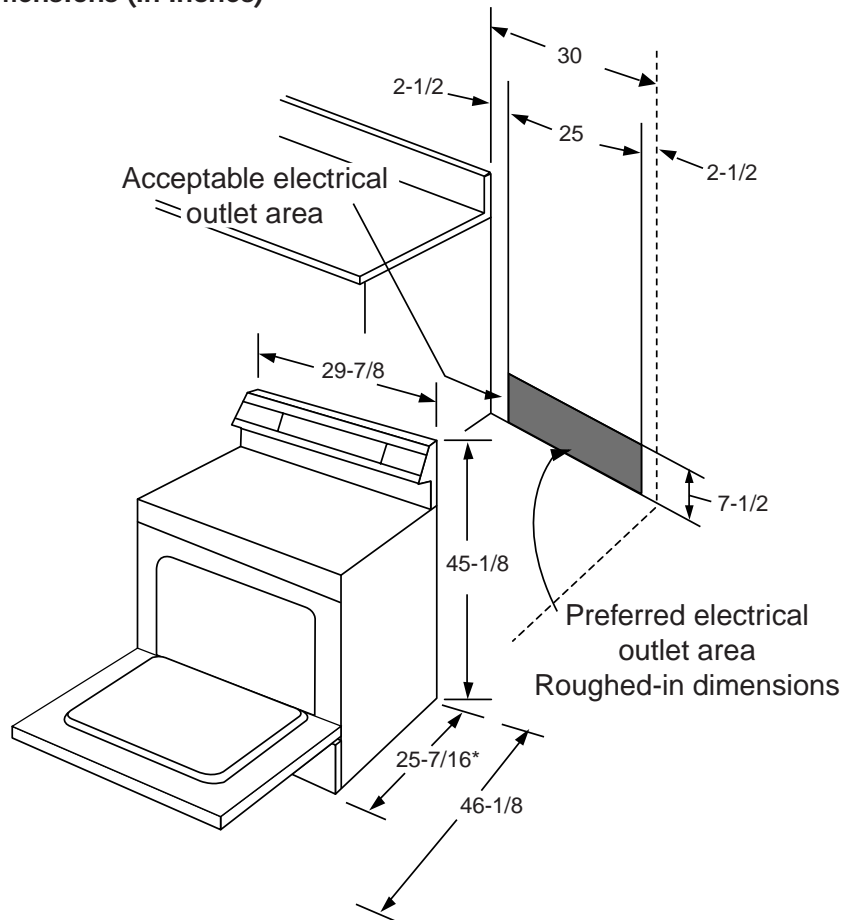




GE Appliances

JBS23BBAD—GE 30" Free-Standing Standard Clean Electric Range

Dimensions (in inches)



* Dimension from wall to front of closed door handle is 27-1/8".

KW Rating	
240V	10.9
208V	8.4

Receptacle Locations

For 30" Free-Standing Ranges locally approved flexible service cord or conduit must be used because terminals are not accessible after range installation. See shaded area in drawing for location of electrical outlet box. Recommended outlet locations allow range to be installed directly against wall.

Note: 30" Ranges conform to U.L. requirements for 0" spacing for adjacent walls below countertops. To reduce possibility of scorching of walls, it is recommended a minimum of 1-1/2" spacing be allowed from adjacent side walls to allow for possible extended, high-heat, no-load heating element operation.

Installation Information: Before installing, consult installation instructions packed with product for current dimensional data.

For answers to your Monogram®, GE Profile Performance Series™, GE Profile™ or GE appliance questions, call GE Answer Center® service, 800.626.2000.



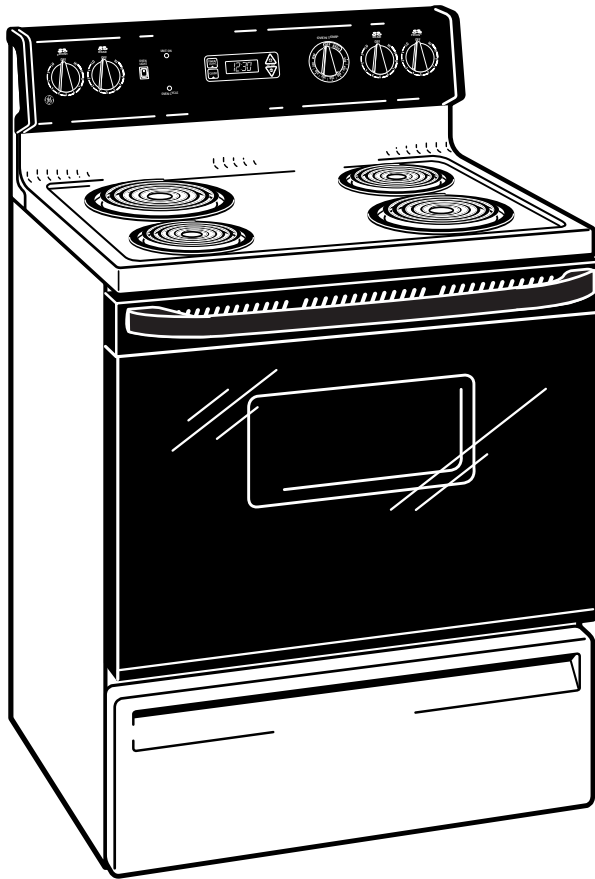
All GE ranges are equipped with an Anti-Tip device. The installation of this device is an important, required step in the installation of the range.





GE Appliances

JBS23BBAD—GE 30" Free-Standing Standard Clean Electric Range



Features and Benefits

- Clean-Well™ Cooktop System with High Spill Rims
- Lift-Up Upswept Porcelain-Enameled Cooktop
- Two 8" and Two 6" Plug-in Calrod™ Heating Elements
- Chrome Removable One-Piece Drip Bowls
- Standard Clean Oven
- Infinite Heat Controls
- Electronic Clock and Minute Timer
- Porcelain-Enameled Broiler Pan with Chrome-Plated Grid
- 2 Oven Shelves
- Oven Light Switch
- Oven "On" Light
- Surface Unit "On" Light
- Designer-Style Handle
- Black Frameless Lift-Off Glass Oven Door with Window
- Color-Matched Storage Drawer
- Model JBS23BBWH - White
- Model JBS23BBAD - Almond