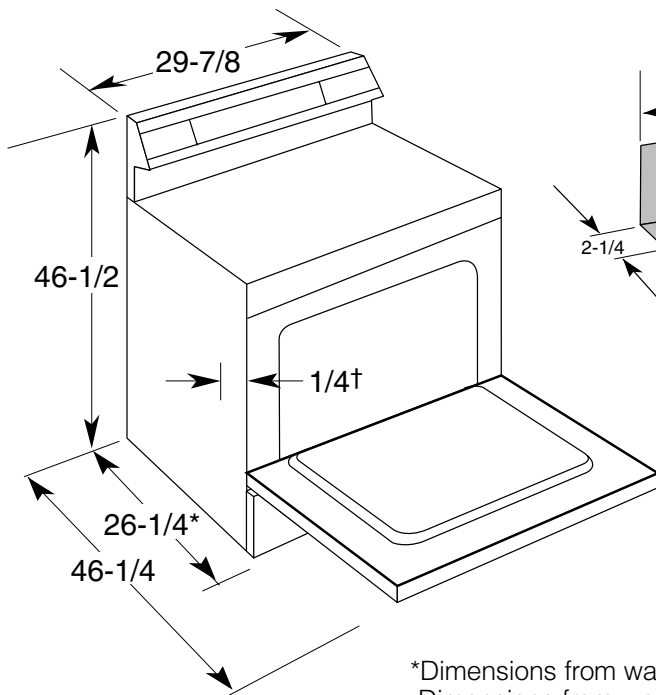




GE Appliances

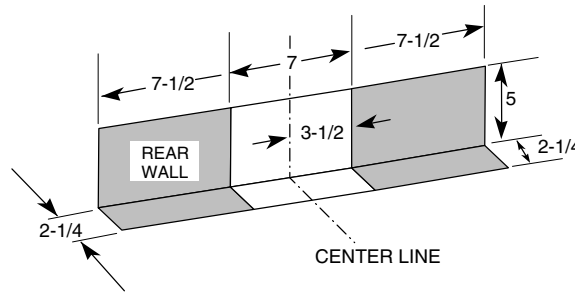
## JBS26CWH-GE 5.0 Cu. Ft. Free-Standing QuickClean Electric Range

Dimensions (in inches)



\*Dimensions from wall to front of closed oven door.  
 Dimensions from wall to front of closed oven door handle is 28-3/8".

For all 30" Free-Standing Range models  
 with coil heating elements



†The range may be placed with a 0" clearance (flush) at the back wall and side walls if the range side trims extend beyond the cabinet fronts at least 1/4". Self Clean models only.

KW Rating	
240V	11.1
208V	8.8

### Receptacle Locations

For 30" Free-Standing Ranges locally approved flexible service cord or conduit must be used because terminals are not accessible after range installation. See shaded area in drawing for location of electrical outlet box. Recommended outlet locations allow range to be installed directly against wall.

**Note:** 30" Ranges conform to U.L. requirements for 0" spacing for adjacent walls above countertops. To reduce possibility of scorching of walls, it is recommended a minimum of 1-1/2" spacing be allowed from adjacent side walls to allow for possible extended, high-heat, no-load heating element operation.

**Installation Information:** Before installing, consult installation instructions packed with product for current dimensional data.

For answers to your Monogram®, GE Profile Performance Series™, GE Profile™ or GE appliance questions, call GE Answer Center® service, 800.626.2000.



All GE ranges are equipped with an Anti-Tip device. The installation of this device is an important, required step in the installation of the range.

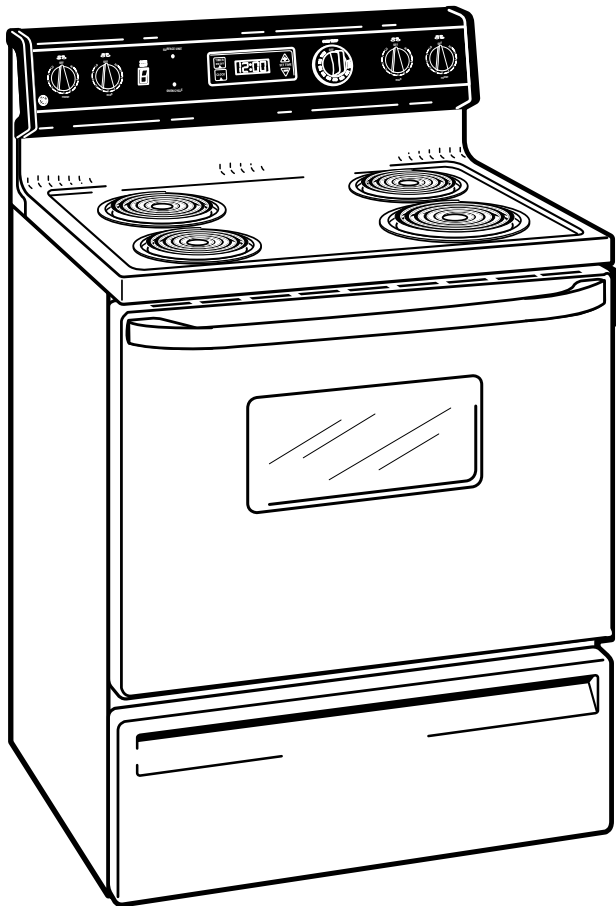


Listed by Underwriters Laboratories



**GE Appliances**

## **JBS26CWH—GE 5.0 Cu. Ft. Free-Standing QuickClean Electric Range**



### **Features and Benefits**

- Super Large 5.0 Cu. Ft. Oven Capacity
- Clean-Well™ Cooktop System
- Lift-Up Upswept Porcelain-Enameled Cooktop with Dual Support Rods
- Two 8" and Two 6" Plug-In Calrod® Heating Elements
- Electronic Clock and Minute Timer
- Infinite Heat Controls
- Standard Clean Oven
- 2 Oven Shelves
- Dual Bake Elements
- Porcelain Enameled Broiler Pan with Chrome-Plated Grid
- Chrome Removable One-Piece Drip Bowls
- Interior Oven Light
- Heating Element "On" Light
- Color-Matched Removable Full-Width Storage Drawer
- Color-Matched Frameless Glass Lift-Off Oven Door With Window
- Designer-Style Handle
- Model JBS26CWH - White
- Model JBS26CAD - Almond