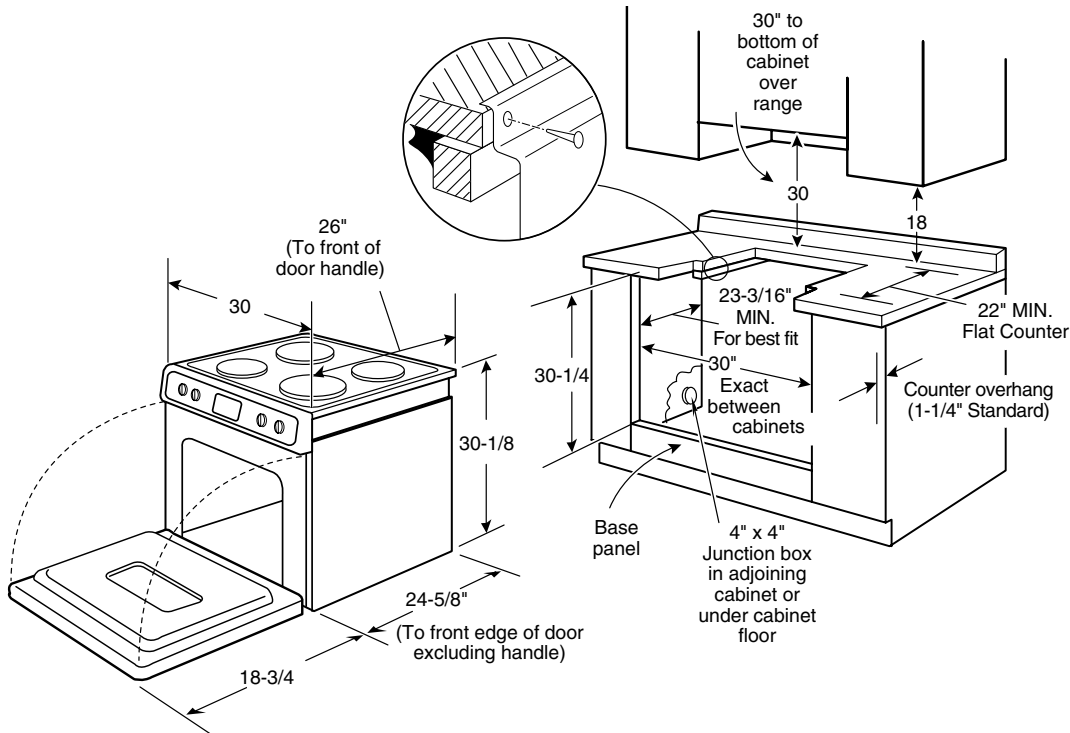




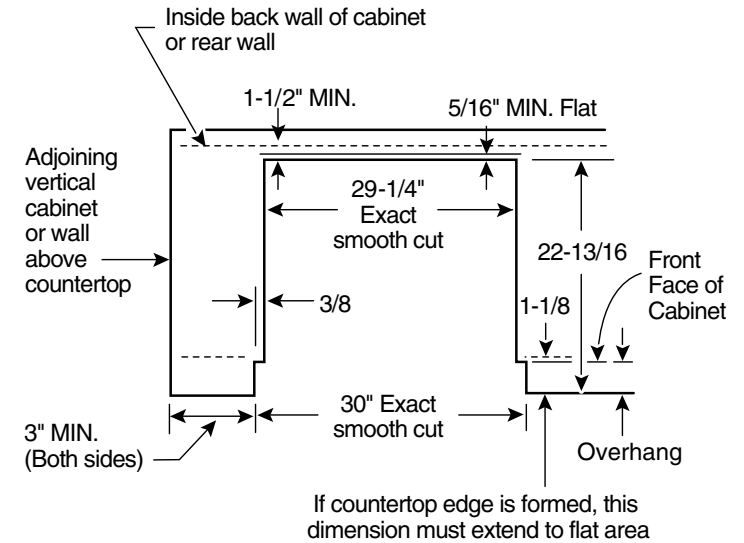
GE Appliances

JDP36BD – GE® 30" Drop-In Electric Range

Dimensions (in inches)



Countertop Cutout Top View



KW Rating	
240V	11.6
208V	8.7

Note: Cabinets installed adjacent to drop-in ranges must have an adhesion spec of at least 194°

Important: 30" Drop-In Ranges are designed to hang from the countertop. It does not rest on the floor. For installation alternatives, refer to installation instructions packed with product.

Note: 30" Drop-In Electric Ranges conform to U.L. requirements for 3" minimum spacing between range and side walls above countertop.

Installation Information: Before installing, consult installation instructions packed with product for current dimensional data.

Specification Revised 12/03

320821



All GE ranges are equipped with an Anti-Tip device. The installation of this device is an important, required step in the installation of the range.



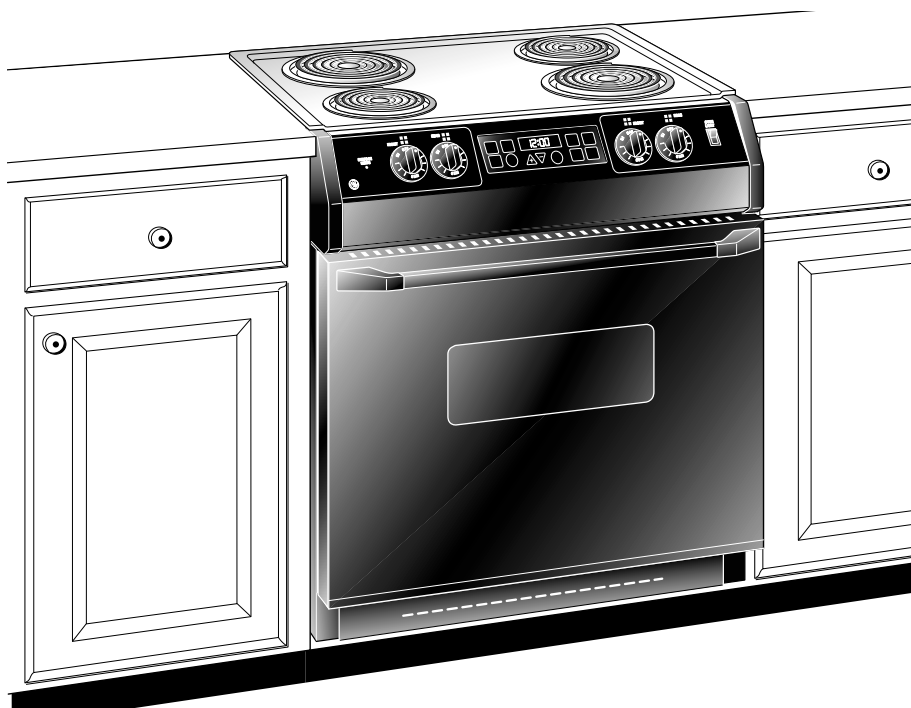
Listed by Underwriters Laboratories

For answers to your Monogram®, GE Profile™ or GE® appliance questions, visit our website at GEAppliances.com or call GE Answer Center® service, 800.626.2000.



GE Appliances

JDP36BD – GE® 30" Drop-In Electric Range



Features and Benefits

- Self-clean oven – Conveniently cleans the oven cavity without the need for scrubbing.
- Electronic oven controls – One-touch electronic pads are easy-to-use and allow for simple oven operation.
- Coil heating elements – Provides consistent and even heat on the cooktop with a plug-in element that is removable for easy cleaning.
- Standard window – Provides a convenient viewing area to check the progress of food.
- Lift-up porcelain cooktop – Makes spills and messes under the cooktop easily accessible and within reach.
- Porcelain drip bowls – Contains minor spills and are removable for cleaning in the sink or dishwasher.
- Frameless glass oven door – Offers an easy-to-clean and stylish design that blends seamlessly into existing cabinetry.
- Model JDP35BDCT – Bisque
- Model JDP35BWWH – White