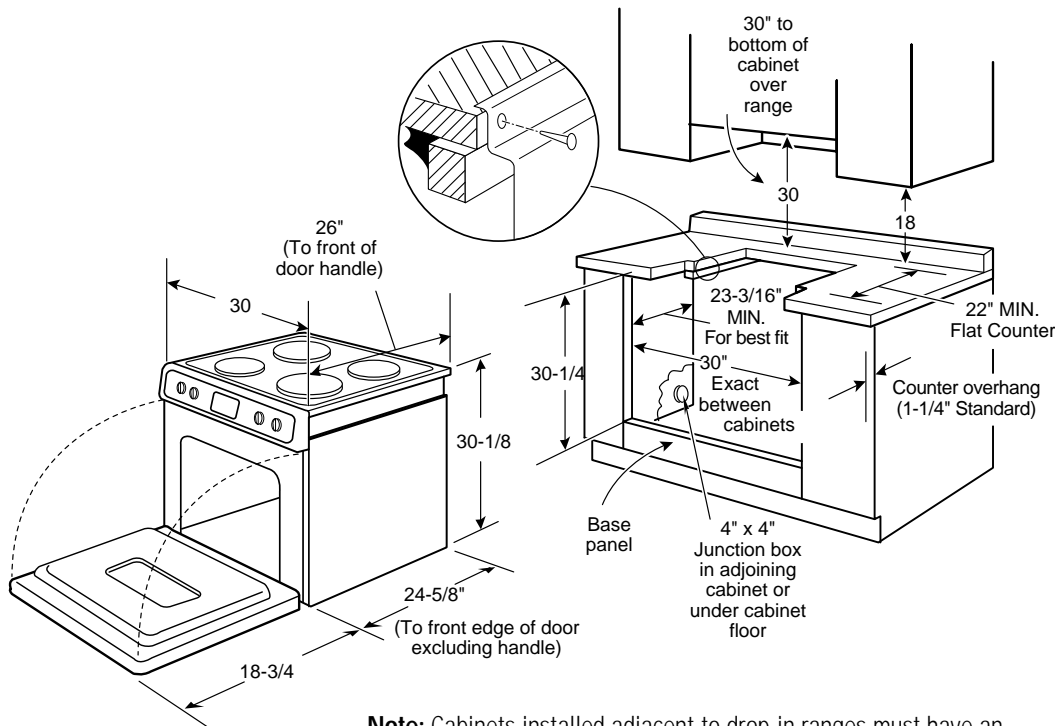




GE Appliances

JDP39BW—30" Drop-In Electric Range

Dimensions (in inches)



Note: Cabinets installed adjacent to drop-in ranges must have an adhesion spec of at least 194°

For answers to your Monogram, GE Profile Performance Series, GE Profile, GE, Hotpoint and RCA appliance questions, call GE Answer Center service, 800.626.2000.



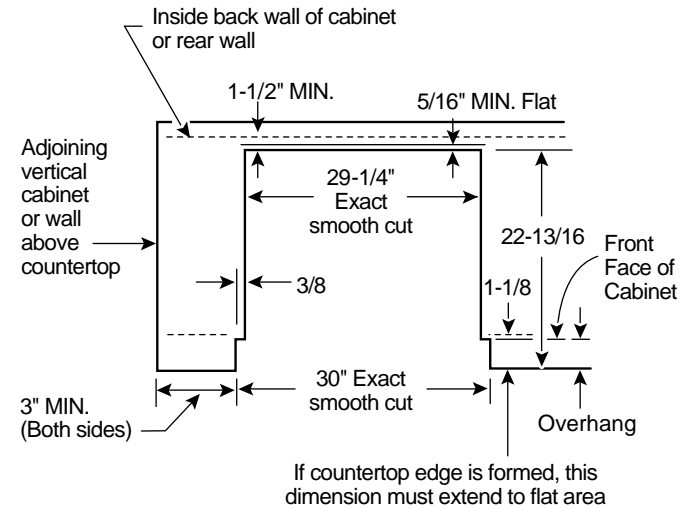
All GE ranges are equipped with an Anti-Tip device. The installation of this device is an important, required step in the installation of the range.



Listed by Underwriters Laboratories

Revised 9/97

Countertop Cutout Top View



KW Rating	
240V	11.6
208V	8.7

Important: 30" Drop-In Ranges are designed to hang from the countertop. It does not rest on the floor. For installation alternatives, refer to installation instructions packed with product.

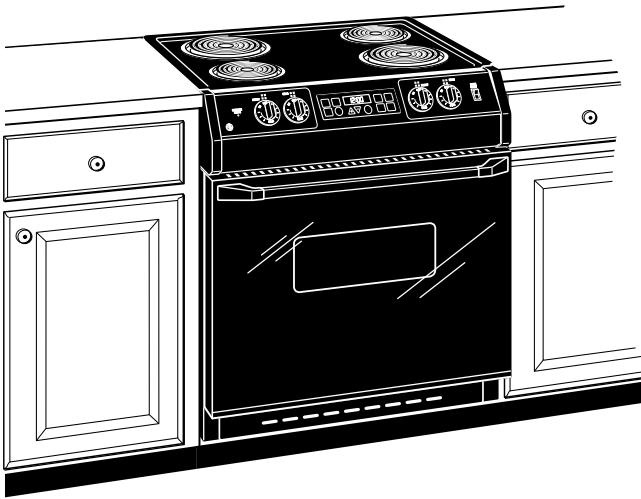
Note: 30" Drop-In Electric Ranges conform to U.L. requirements for 3" minimum spacing between range and side wall above countertop.

Installation Information: Before installing, consult installation instructions (Pub. No. 31-10129) packed with product for current dimensional data.



GE Appliances

JDP39BW—30" Drop-In Electric Range



Features and Benefits

- Black on black Model
- Porcelain-Enameled Lift-Up Overhanging Cooktop
- Two 8" and Two 6" Plug-In Heating Elements
- Removable One-Piece Drip Bowls
- Self-Cleaning Oven With Automatic Oven Door Lock
- SmartSet Electronic Oven Controls With Touchpads
- Electronic Clock and Kitchen Timer
- Delay Time Bake Option With Cook and Hold
- Auto Oven Shut-Off With Override
- Broiler Pan With Grid
- 2 Oven Shelves
- Interior Oven Light
- Frameless Glass Door With Window
- Designer-Style Handle
- Also Available in White on white as Model JDP39WW