



Installation Instructions for *Optional* Range Retention "L" Brace

When installing this range onto some smooth countertops, it may be necessary to install the Range Retention "L" Braces provided, to prevent movement of the range.

Before you begin—Read all of the safety information in your Owner's Manual.

Note to Installer—Be sure to leave these instructions with the Consumer.

Note to Consumer—Keep these instructions with your Owner's Manual for future reference.

This optional installation should follow step 8 in the Installation Instructions of Owner's Manual JDP40 164D3333P207 49-8980.

Tools Needed

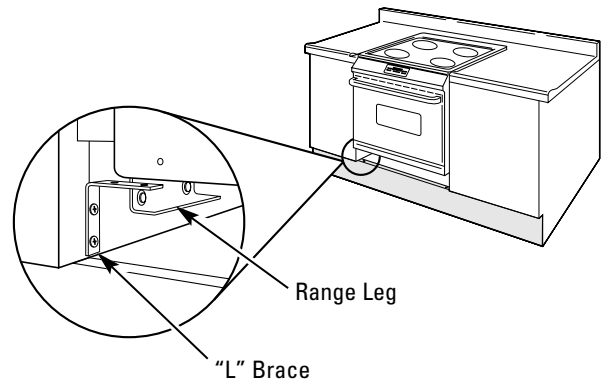
- Phillips Head Screwdriver
- Drill

Parts Included

- 4 Phillips Head Wood Screws
- 2 "L" Braces

1. Once the range is securely in position in the cabinet opening, position the "L" brace against the side of the cabinet and flush with the front of the range leg.
2. Hold the "L" brace in place and mark the two holes on the inside of the cabinet.

3. Drill two 1/8" pilot holes into the cabinet where you just marked. (**Caution should be used to avoid drilling through the opposite side of the cabinet.**)



4. Attach the "L" brace to the cabinet with the screws provided.
5. Repeat the procedure on the opposite side.

Part No. 164D3333P218
Pub No. 49-8997
318200027 Rev. A