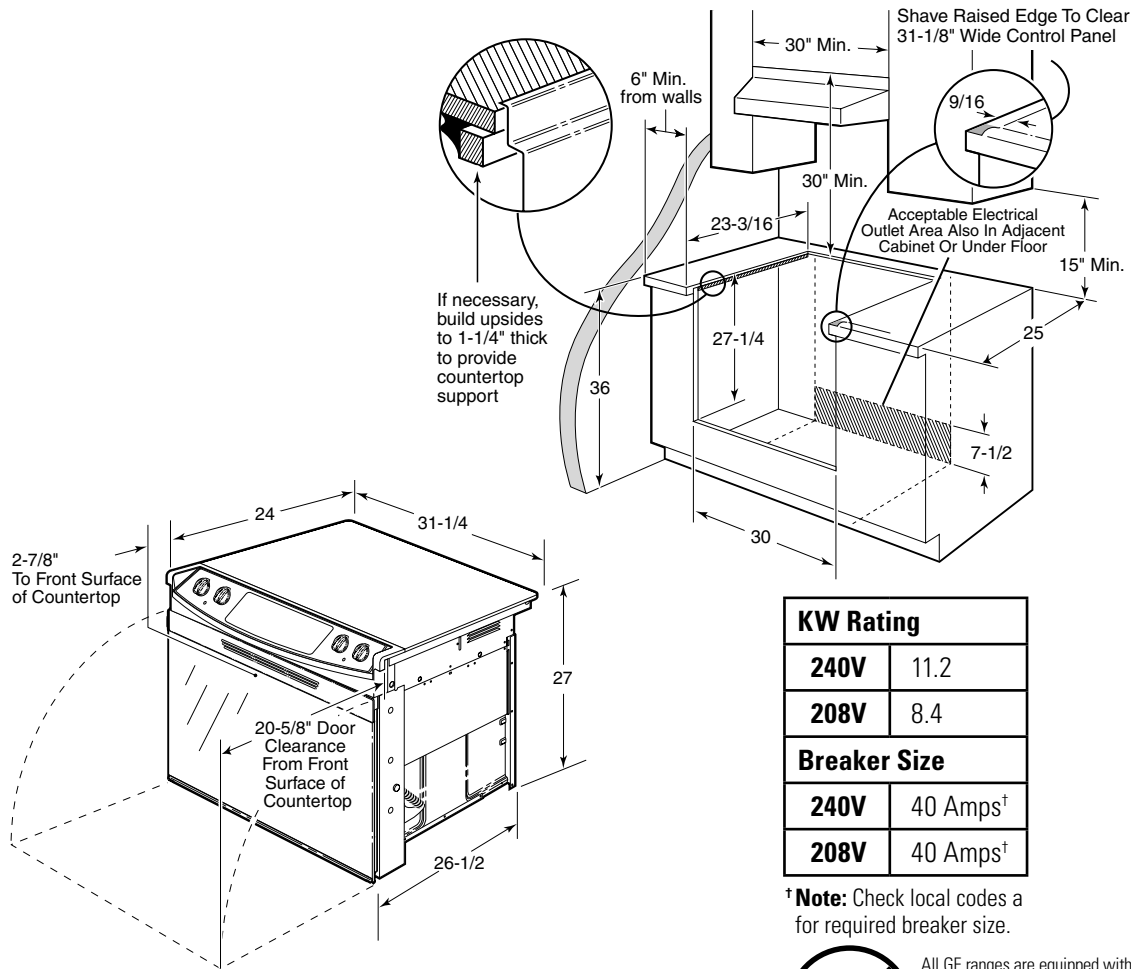




Profile™

JDP46WD/CD/BD – GE Profile™ 30" Drop-In Electric Range

Dimensions (in inches)



KW Rating	
240V	11.2
208V	8.4
Breaker Size	
240V	40 Amps†
208V	40 Amps†

†Note: Check local codes for required breaker size.



All GE ranges are equipped with an Anti-Tip device. The installation of this device is an important, required step in the installation of the range.

Optional Kits For JD966/JDP46 Electric Ranges

(Available At Additional Cost)

Maintop Filler

(Fills gap between cooktop and wall when unit is installed in 30" free-standing cutout)

JXS66WW—White

JXS66CC—Bisque

JXS66BB—Black

Accessory Backguards

(Attaches to the back of range as a backguard when unit is installed in 30" free-standing cutout)

JXS39WW—Stainless

JXS36WW—White

JXS36CC—Bisque

JXD36BB—Black

Lower Trim Kits

(When a drop-in is installed in an existing cutout greater than 27-1/4" from the counter to the cabinet cross-rail, a lower trim kit should be used to fill the gap at the bottom of the range)

JXS96WW—White

JXS96CC—Bisque

Note: Cabinets installed adjacent to drop-in electric ranges must have an adhesion spec of at least a 194°F temperature rating.

Note: All 30" Drop-In Radiant Ranges conform to U.L. requirements for 0" spacing from range to adjacent walls below countertop. To reduce possibility of scorching the side walls above the countertop when no load is present on burners, it is recommended that a minimum 6" spacing from adjacent side wall be allowed for possible extended high-heat element operation.

Installation Information: Before installing, consult installation instructions packed with product for current dimensional data.

IMPORTANT: 30" DROP-IN RANGES ARE DESIGNED TO HANG FROM THE COUNTERTOP. IT DOES NOT REST ON THE FLOOR. FOR INSTALLATION ALTERNATIVES, REFER TO INSTALLATION INSTRUCTIONS PACKED WITH PRODUCT.

For answers to your Monogram,® GE Profile™ or GE appliance questions, visit our website at GEAppliances.com or call GE Answer Center® service, 800.626.2000.

Specification Revised 5/04

220820



Profile™

JDP46WD/CD/BD – GE Profile™ 30" Drop-In Electric Range



Features and Benefits

- Frameless Glass Ceramic Cooktop
- Self-Cleaning Oven with Automatic Oven Door Lock
- Two 8", One 6" Ribbon Heating Elements and One 6"/9" Dual Heating Element
- Automatic Oven shut-off with override
- SmartSet Oven Controls
- 2 Oven Shelves
- Digital Temperature Display
- Electronic Clock and Kitchen Timer
- Delay bake Option with Cook and Hold
- Variable Cleaning Time with Delay Clean Option
- Hot Surface Indicator Lights
- Broiler Pan with Grid
- Frameless Glass Oven Door with Big-View Window
- Interior Oven Light
- Integrated Designer-Style Handle
- Model JDP46WDWW – White on white
- Model JDP46CDCC – Bisque
- Model JDP46BDBB – Black on black