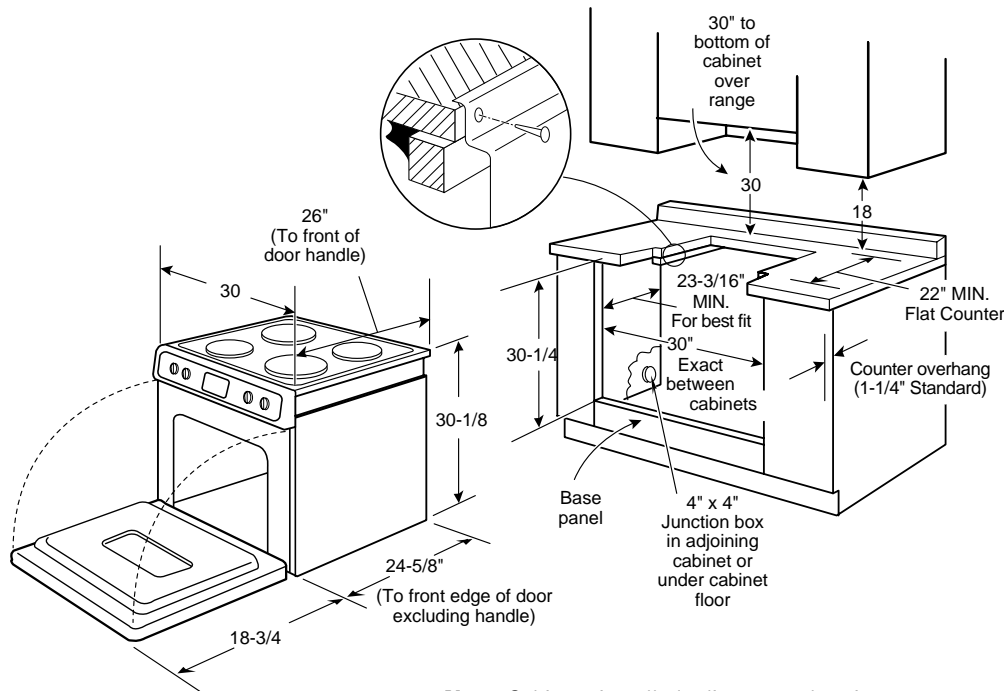




GE Appliances

JDS26BW—GE 30" Drop-In Electric Range

Dimensions (in inches)



Note: Cabinets installed adjacent to drop-in ranges must have an adhesion spec of at least 194°

For answers to your Monogram®, GE Profile™ or GE appliance questions, visit our website at GEAppliances.com or call GE Answer Center® service, 800.626.2000.



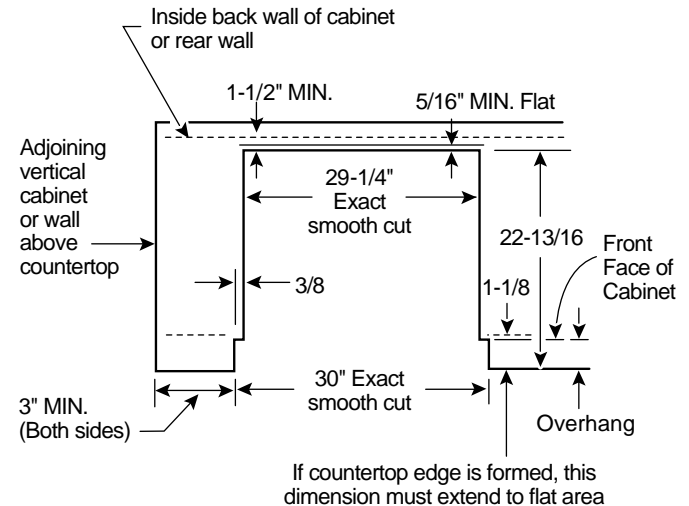
All GE ranges are equipped with an Anti-Tip device. The installation of this device is an important, required step in the installation of the range.



Listed by Underwriters Laboratories

Specification Revised 11/01

Countertop Cutout Top View



KW Rating	
240V	11.0
208V	8.7

Important: 30" Drop-In Ranges are designed to hang from the countertop. It does not rest on the floor. For installation alternatives, refer to installation instructions packed with product.

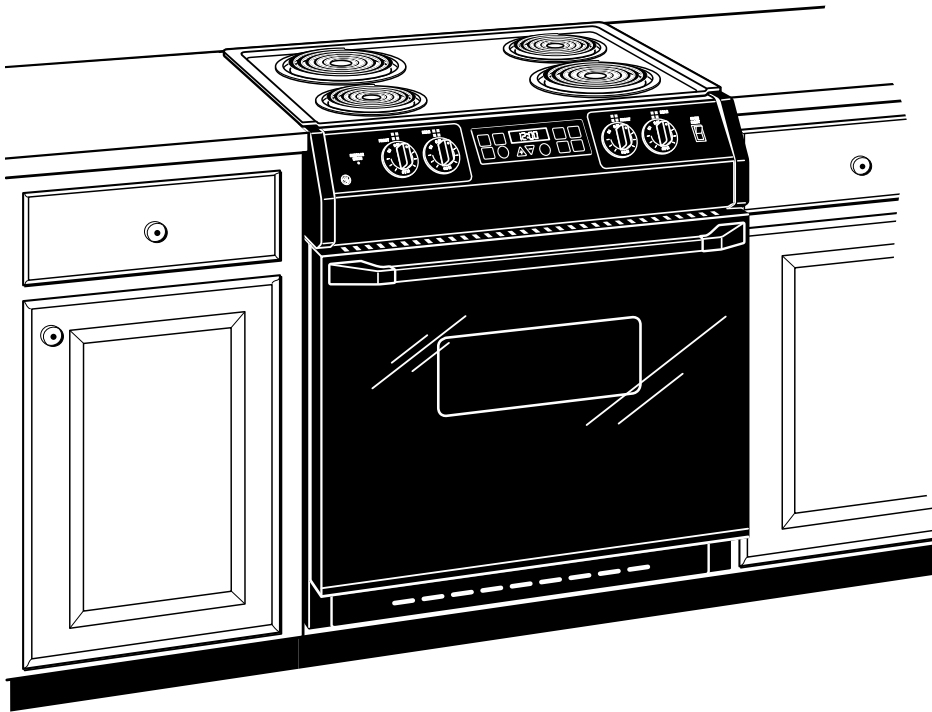
Note: 30" Drop-In Electric Ranges conform to U.L. requirements for 3" minimum spacing between range and side walls above countertop.

Installation Information: Before installing, consult installation instructions packed with product for current dimensional data.



GE Appliances

JDS26BW—GE 30" Drop-In Electric Range



Features and Benefits

- Porcelain-Enameled Lift-Up Overhanging Cooktop
- Two 8" and Two 6" Plug-In Heating Elements
- Removable Chrome One-Piece Drip Bowls
- Standard Clean Oven
- SmartSet Electronic Oven Control With Touchpads
- Electronic Clock and Kitchen Timer
- Delay Time Bake Option With Cook and Hold
- Auto Oven Shut-Off With Override
- Broiler Pan With Grid
- 2 Oven Shelves
- Interior Oven Light
- Designer-Style Handle
- Model JDS26BWWH – White
- Model JDS26BWCT – Bisque
- Model JDS26BWAD – Almond