



s • combination convection/microwave cooking • 2004 product specifications • sensor controls • spacious interiors • scrolling

GE Profile™ and GE® Microwave Ovens

A microwave for every kitchen.

imagination at work



A Microwave for every kitchen.





New GE Profile™ and GE® microwave ovens offer a **powerful combination of style and convenience**. Outside, **bold curves** and touch controls make a dramatic statement. Open the door and you'll see that the **spacious interior** makes room for multiple dishes, including large casseroles. Whatever you cook, you can count on **exceptional results**. Sensor controls automatically select optimal cooking times and power levels. And **convection technology** browns and crisps foods to golden perfection.



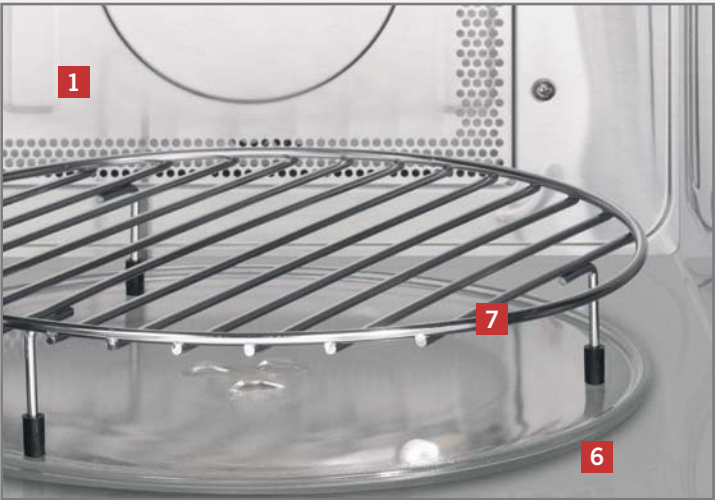
Feature Gallery

A microwave for every kitchen.



Convection Sensor

Model shown: JE1590





Capacity and Wattage

Allow fast, flexible microwave cooking with 1.5 cu. ft. of interior space and 1000 watts of power.



Sensor cooking controls

Automatically adjust time and power for delicious cooking results.



Convection Cooking System

Browns food on the outside and keeps it moist inside.



Convenience cooking controls

Allow cooking and reheating at the touch of a button.



Scrolling display

Provides helpful, easy-to-read cooking tips.



Instant On controls

Allow quick, one-touch cooking and reheating.



Convection/Combination cooking

Combines microwave power with traditional radiant heat to bake and roast foods with accuracy and speed.



Add 30 Seconds

Extends cooking time without the hassle of reprogramming.



Auto Defrost

Automatically defrosts for a specified amount of time.



Optional trim kit

Offers a built-in appearance of a countertop model. Available at additional cost.



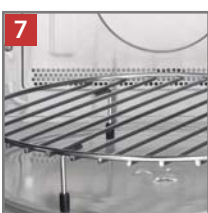
Recessed turntable

Maximizes usable oven space.



Optional undercabinet mounting kit

Allows quick, easy undercabinet installation. Available at additional cost.



Removable oven rack stand

Increases cooking flexibility and space.



Inverter technology*

Provides a steady wave of heat for consistent results.

*Available on JES2251SJ only.

Microwave Ovens



JE1590

GE Profile™ Convection Oven

- 1.5 cu. ft. capacity, 1000 Watts*
- **Convection cooking controls**
- Sensor cooking controls
- Turntable
- **Removable oven rack**
- Control dial
- Optional trim kit**

- JE1590SH
- JE1590WH
- JE1590CH
- JE1590BH

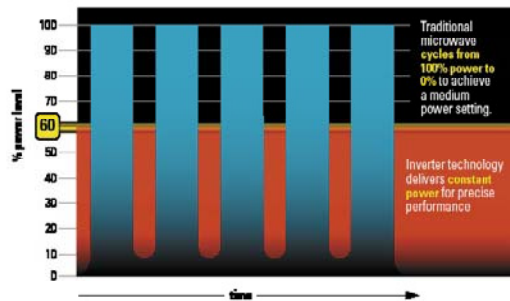


JES2251

GE Profile Inverter Oven

- 2.2 cu. ft. capacity, 1200 Watts*
- **Inverter technology**
- Sensor cooking controls
- Warm/Soften controls
- Auto and Time Defrost
- Add 1 minute
- Delay Start

Inverter Technology vs. Traditional Microwave Medium Power Setting (power level 8)



- JES2251SJ

Available January 2005.



- Stainless steel
- White
- Bisque
- Black



JE2160

GE Profile Sensor Oven

- 2.1 cu. ft. capacity, 1200 Watts*
- Sensor cooking controls
- Auto and Time Defrost
- **16" turntable**
- Instant On controls
- Add 30 Seconds
- Optional trim kit**

-  JE2160SF
-  JE2160WF
-  JE2160CF
-  JE2160BF



JEM31

GE Profile™ Sensor Oven

- 1.0 cu. ft. capacity, 800 Watts*
- Sensor cooking controls
- Auto and Time Defrost
- Turntable On/Off
- Variable scroll speed
- **Optional hanging kit*****
- Optional trim kit**

-  JEM31SF
-  JEM31WF
-  JEM31CF
-  JEM31BF



 Stainless steel  White  Bisque  Black

***Optional undercabinet mounting kit available at an additional cost. Refer to page 11 for installation options and model numbers.

Microwave Ovens



JE1860

GE® Sensor Oven

- **1.8 cu. ft. capacity, 1100 Watts***
- Sensor cooking controls
- Auto and Time Defrost
- Instant On controls
- Turntable On/Off

- JE1860SH
- JE1860WH
- JE1860CH
- JE1860BH



JE1460

GE® Sensor Oven

- **1.4 cu. ft. capacity, 1150 Watts***
- Sensor cooking controls
- Auto and Time Defrost
- Instant On controls
- Turntable
- Add 30 Seconds
- Timer On/Off

- JE1460WF
- JE1460BF



○ Stainless steel ○ White ○ Bisque ● Black

*IEC-705 test procedure



JES1384

GE Oven

- 1.3 cu. ft. capacity, 1000 Watts*
- Top browning capability
- Convenience cooking controls
- Auto and Time Defrost
- Instant On controls
- Timer On/Off
- Electronic touch controls

 JES1384SF



JES1290

GE Convection Oven

- 1.2 cu. ft. capacity, 1000 Watts*
- **Combination convection/microwave cooking**
- Double grill technology
- Removable oven rack
- Convenience cooking controls
- Auto and Time Defrost
- Add 30 Seconds

 JES1290WJ

 JES1290BJ



JES1288

GE Oven

- 1.2 cu. ft. capacity, 1000 Watts*
- **Double grill technology**
- **Removable oven rack**
- Convenience cooking controls
- Auto and Time Defrost
- Control dial
- Turntable

 JES1288SH



 Stainless steel  White  Black

Microwave Ovens



JE1160

GE® Sensor Oven

- 1.1 cu. ft. capacity, 1100 Watts*
- **Sensor cooking controls**
- Auto and Time Defrost
- Instant On controls
- Turntable
- Timer On/Off
- Child lockout

○ JE1160WD

● JE1160BD



JES1142

GE Oven

- 1.1 cu. ft. capacity, 1100 Watts*
- Convenience cooking controls
- Auto and Time Defrost
- Instant On controls
- Turntable
- Child lockout
- Delay Start

○ JES1142SJ



JES1039

GE Oven

- 1.0 cu. ft. capacity, 1100 Watts*
- Convenience cooking controls
- Auto and Time Defrost
- Instant On controls
- Turntable
- Child lockout
- Add 30 Seconds

○ JES1039WJ

● JES1039BJ



○ Stainless steel ○ White ● Black



Model shown with trim kit JX827WN

JEM25

GE Spacemaker II™ Oven

- 1.0 cu. ft. capacity, 800 Watts*
- Convenience cooking controls
- Auto and Time Defrost
- Optional hanging kit***
- Optional trim kit**
- Child lockout
- Turntable On/Off

○ JEM25WF

● JEM25BF



JE740

GE Oven

- 0.7 cu. ft. capacity, 700 Watts*
- Convenience cooking controls
- Auto and Time Defrost
- Instant On controls
- Turntable
- Timer On/Off
- Optional hanging kit***

○ JE740WH

● JE740BH



JE620

GE Oven

- 0.6 cu. ft. capacity, 650 Watts*
- Electronic touch controls
- Time Defrost
- Turntable
- Time Cook
- Optional hanging kit***

○ JE620WF

● JE620BF



○ White ● Black

***Optional undercabinet mounting kit available at an additional cost. Refer to page 11 for installation options and model numbers.

Microwave Oven Trim and Hanging Kits



Deluxe Built-In Trim Kit for 2.1 cu. ft. Microwave Ovens
Trim kits allow installation of the 2.1 countertop microwave oven in a wall or cabinet alone, or over a GE Profile™ 27" or 30" single electric wall oven.

30" Deluxe Trim Kits for Models JE2160
JX2130SH—Stainless Steel, JX2130WH—White
JX2130CH—Bisque, JX2130BH—Black

27" Deluxe Trim Kits for Models JE2160
JX2127SH—Stainless Steel, JX2127WH—White
JX2127CH—Bisque, JX2127BH—Black



Deluxe Built-In Trim Kit for 1.8 cu. ft. Microwave Ovens
Trim kits allow installation of the 1.8 countertop microwave oven in a wall or cabinet alone, or over a GE® 27" or 30" single electric wall oven as shown.

30" Deluxe Trim Kits for Models JE1860
JX1830SB—Stainless Steel, JX1830WB—White
JX1830CB—Bisque, JX1830BB—Black

27" Deluxe Trim Kits for Models JE1860
JX1827SB—Stainless Steel, JX1827WB—White
JX1827CB—Bisque, JX1827BB—Black



Deluxe Trim Kits for 1.5 cu. ft. GE Profile™ Microwave Ovens
Built-in trim kits allow installation in a wall or cabinet alone, or over a GE 30" or 27" single electric wall oven. Use a convection wall oven under these convection microwave ovens for a complete convection cooking center.

30" Deluxe Trim Kits for Model JE1590
JX1530CSH—Stainless, JX1530CWH—White
JX1530CCH—Bisque, JX1530CBH—Black

27" Deluxe Trim Kits for Model JE1590
JX1527CSH—Stainless, JX1527CWH—White
JX1527CCH—Bisque, JX1527CBH—Black



Built-In Trim Kit for 1.0 cu. ft. Microwave Ovens
For a custom built-in appearance, this kit allows built-in installation of the Spacemaker® II microwave oven into a wall or cabinet alone.

Trim Kits for Models JEM31 and JEM25
JX827SS—Stainless Steel, JX827WN—White
JX827BN—Black



Hanging Kit for .6, .7 and 1.0 cu. ft. Microwave Ovens
This hanging kit allows installation under a cabinet, freeing up valuable counter space. A mounting template provides all the necessary measurements for installation on practically any wood or metal cabinet.

Hanging Kit for Models JE620, JE740, JEM25, JEM31
Pub. No. 4-A019

Microwave Ovens

	GE Profile™			GE®								
	Convection	Extra-Large		Extra-Large	Family-Size				Mid-Size			
	JE1590SH JE1590WH JE1590CH JE1590BH	JES2251SJ	JE2160SF JE2160WF JE2160CF JE2160BF	JE1860SH JE1860WH JE1860CH JE1860BH	JE1460WF JE1460BF	JES1384SF	JES1290WJ JES1290BJ	JES1288SH	JE1160WD JE1160BD	JES1142SJ	JES1039WJ JES1039BJ	
Capacity												
Oven cavity (cu. ft.)	1.5	2.1	2.1	1.8	1.4	1.3	1.2	1.2	1.1	1.1	1.0	
Features												
Watts (IEC-705 Test Procedure)	1000	1200	1200	1100	1150	1000	1000	1000	1100	1100	1100	
Inverter technology		●										
Cooking element						Top-1200W; Top-1100W	Top-1200W; Bottom-400W	Bottom-400W				
Electronic touch controls	Tactile Switches/Dial	●	●	●	●	Tactile Switches/Dial	●	Tactile Switches/Dial	●	●	●	
Scrolling display with Help Pad	2-Line	●	●	●	●		●		Help Only			
Demo mode	●		●	●				●				
Electronic digital display w/clock	●		●	●	●				●			
Display On/Off	●		●	●				●				
Convection Cook	●						●					
Combination Cook	●						MW & Convection					
Combination Roast	●						MW & Grill					
Grill controls	●		●	●		●	●					
Sensor controls	Popcorn	●	●	●	●				●			
Beverage	●	●	●	●	●							
Reheat	●	●	●	●	●				●			
Vegetable			●	●	●				Fresh/Frozen			
Potato		●	●	●	●							
Chicken/Fish			●	●	●				-/●			
Rice									●			
Soup									●			
Frozen Dinner									●			
Convenience controls	Popcorn					●	●	●		●	●	
Beverage						●	●	●		●	●	
Reheat							●	●		●	●	
Vegetable												
Potato									●			
Cook							●		●	●	●	
Dinner Plate						●						
Pizza												
Express Cook	1-6 min.		1-6 min.	1-6 min.	1-6 min.	30 sec.	1-6 min.	1-6 min.	30 sec.	Start pad	1-6 min.	
Warmer/Soften controls		●										
Instant On controls	●		●	●	●	●	●	●	●	●	●	
Time cook	I & II	I & II	I & II	I & II	I & II	●	I & II	●	I & II	I & II	I & II	
Add 1 Minute		●										
Add 30 Seconds			●	●	●	●	●	●	●	●	●	
Auto/Time Defrost	●	●	●	●	●	●	●	●	●	●	●	
Quick Defrost	●											
Power levels	10	10	10	10	10	10	10	10	10	10	10	
Turntable	Recessed	●	●	On/Off	Recessed	●	●	●	●	●	●	
Kitchen timer	Timer On/Off	Timer On/Off	Timer On/Off	Timer On/Off	Timer On/Off	●	Timer On/Off	●	●	●	●	
Delay Start/Reminder		●/-	●	●	●				●	●	●	
Cooking complete reminder	●		●	●	●		●	●	●	●	●	
Child lockout	●	●	●	●	●	●	●	●	●	●	●	
Appearance												
Color appearance*	SS/WW/CC/BB	SS	SS/WW/CC/BB	SS/WW/CC/BB	WW/BB	SS	WW/BB	SS	WW/BB	SS	WW/BB	
Case color	Black White Bisque Black	Stainless Steel	Black White Bisque Black	Black White Bisque Black	White Black	Stainless steel	White Black	Stainless steel	White Black	Stainless steel	White Black	
Door color	Stainless steel White Bisque Black	Stainless Steel	Stainless steel White Bisque Black	Stainless steel White Bisque Black	White Black	Stainless steel	White Black	Stainless steel	White Black	Stainless steel	White Black	
Weights & Dimensions												
Approx. shipping weight (lbs.)	59	51	51	48	45	40	49	49	37	40	37	
Cavity	15-1/4 x 10-7/8 x 15-1/4	17 x 11-1/2 x 19	17 x 11-1/2 x 19	17-1/16 x 9-3/4 x 18-5/16	14-13/16 x 9-7/8 x 16	15 x 9-11/14 x 15-1/4	14-1/2 x 9-5/8 x 15-5/8	14-1/2 x 9-5/8 x 15-5/8	13-11/16 x 8-1/2 x 14-15/16	14 x 9 x 14-11/16	13-1/4 x 9-1/8 x 13-3/4	
WxHxD (in inches)	Exterior** 22-5/8 x 14-7/8 x 19-7/8	24 x 13-3/4 x 19-7/16	24 x 13-13/16 x 19-1/2	23-7/8 x 13-9/16 x 18-13/16	21-7/8 x 12-5/8 x 17-1/4	22-3/16 x 12-1/2 x 17-3/8	22 x 13-1/2 x 17-1/2	22 x 13-1/2 x 17-1/2	21-1/4 x 11-7/8 x 15-7/8	21-1/4 x 11-7/8 x 15-3/4	20-1/8 x 12 x 15-1/8	
Power/Ratings												
2450 Frequency (MHz)	●	●	●	●	●	●	●	●	●	●	●	
Electric input	Watts	1500	1650	1550	1550	1600	1530	1500	1800	1500	1500	
@ 120V	Amperage	13	13.9	13.9	13.6	13.5	13	13	15	13	14	
Accessories												
Cooking guide label	●	●	●	●	●	●	●	●	●	●	●	
Cookbook	●											
Oven rack	●					●	●					
Warranty												
Full one-year warranty***	In-Home	In-Home	In-Home	In-Home	Carry-In	In-Home	In-Home	In-Home	Carry-In	Carry-In	Carry-In	
Limited nine-year magnetron warranty*** (10 years total)	●	●	●	●	●	5-Year	5-Year	5-Year	●	5-Year	5-Year	

*SS = Stainless Steel, WW = White on white, CC = Bisque on bisque, BB = Black on black
 Exterior dimensions: height includes feet, depth does not include handle. *See written warranty for details.

Note: Refer to page 15 for dimensional data on Trim Kits (available at additional cost).

Spacemaker II™ Microwave Ovens

	GE Profile		GE	
	JEM31SF	JEM31WF JEM31CF JEM31BF	JEM25WF	JEM25BF
Capacity				
Oven cavity (cu. ft.)	1.0	1.0	1.0	1.0
Features				
Watts (IEC-705 Test Procedure)	800	800	800	800
Electronic touch controls	●	●	●	●
Scrolling display with help	●	●		
Electronic digital display w/clock	●	●	●	●
Sensor controls				
Popcorn	●	●		
Beverage	●	●		
Reheat	●	●		
Vegetable	●	●		
Potato	●	●		
Chicken/Fish	●	●		
Convenience controls				
Popcorn			●	●
Beverage			●	●
Reheat			●	●
Snacks			●	●
Cook			●	●
Express Cook	●	●	●	●
Instant On controls	●	●	●	●
Time cook I & II	●	●	●	●
Add 30 Seconds	●	●	●	●
Auto/Time Defrost	●	●	●	●
Power levels	10	10	10	10
Turntable on/off	●	●	●	●
Kitchen timer	Timer On/Off	Timer On/Off	●	●
Cooking complete reminder	●	●	●	●
Delay Start/Reminder	●	●	●	●
Child lockout	●	●	●	●
Appearance				
Color appearance	Stainless Steel	White on white Bisque on bisque Black on black	White on white	Black on black
Door color	Stainless Steel	White Bisque Black	White	Black
Case color	Black	White Bisque Black	White	Black
Weights & Dimensions				
Cavity	← 16-1/2 x 8-1/16 x 12-15/32 →			
WxHxD (in inches) Exterior†	← 23-25/32 x 11-3/16 x 12-9/32 →			
Approx. shipping weight (lbs.)	40	40	40	40
Power/Ratings				
2450 Frequency (MHz)	●	●	●	●
Electrical input	1300	1300	1300	1300
@ 120V	Watts			
	Amperage	11.5	11.5	11.5
Accessories				
Cooking guide label	●	●	●	●
Hanging kit (Pub. No. 4-A019)*	Optional	Optional	Optional	Optional
Optional built-in kit	JX827SS	JX827WN/BN	JX827WN	JX827BN/SS
Right-angle plug	●	●	●	●
Warranty				
Full one-year warranty**	In-Home	In-Home	In-Home	In-Home
Limited nine-year magnetron warranty** (10 years total)	●	●	●	●

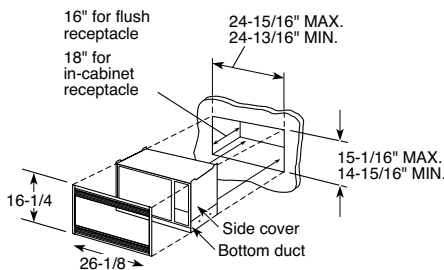
*Pub. No. 4-A019 is available at additional cost.

**See written warranty for details.

†Exterior dimensions: height includes feet, depth does not include handle.

Cutout Dimensions (in inches)

This information is not intended to be used for installing unit described. Before installing, consult installation instructions packed with product/kit for current dimensional data.



Built-In Trim Kit For 1.0 cu. ft. Microwave Ovens (Available at additional cost)

For a custom built-in appearance, this kit allows built-in installation of the Spacemaker II microwave oven into a wall or cabinet alone, and is U.L.-approved for installation over a GE single electric wall oven. This kit should not be installed over a gas wall oven.

Trim Kits for Models JEM31 and JEM25

JX827SS—Stainless Steel, JX827WN—White, JX827BN—Black

Microwave Ovens

	GE	
	JE740WH JE740BH	JE620WF JE620BF
Capacity		
Oven cavity (cu. ft.)	.7	.6
Features		
Watts (IEC-705 Test Procedure)	700	650
Electronic touch controls	●	●
Electronic digital display w/clock	●	●
Convenience controls		
Popcorn	●	
Beverage	●	
Reheat	●	
Snacks	●	
Cook	●	
Express Cook	●	
Instant On controls	●	
Time Cook	I & II	●
Add 30 Seconds	●	
Auto/Time Defrost	●	- / ●
Power levels	10	10
Turntable	●	●
Kitchen timer	●	
Delay Start/Reminder	●	
Cooking complete reminder	●	●
Child lockout	●	
Appearance		
Color appearance*	WW BB	WW BB
Door color	WW BB	WW BB
Case color	White/Black	White/Black
Weights & Dimensions		
Cavity	13 x 7-1/16 x 13	11-13/32 x 7-3/64 x 12-7/16
WxHxD (in inches) Exterior**	19-1/4 x 10-13/16 x 13-9/16	18-9/64 x 9-23/32 x 12-27/32
Approx. shipping weight (lbs.)	33	25
Power/Ratings		
2450 Frequency (MHz)	●	●
Electrical input	1150	1000
@ 120V	Watts	
	Amperage	9.5
Accessory		
Cooking guide label	●	
Hanging kit (Pub. No. 4-A019)†	Optional	Optional
Right-angle plug	●	●
Warranty		
Full one-year warranty††	Carry-In	Carry-In
Four-year magnetron warranty†† (Five years total)	Nine-Year (10 years total)	●

*WW = White on white, BB = Black on black.

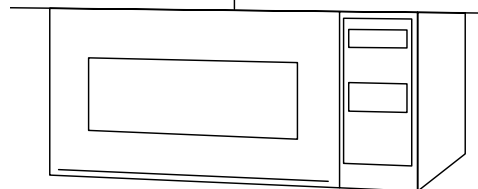
**Exterior dimensions: height includes feet.

†Pub. No. 4-A019 is available at additional cost.

††See written warranty for details.

Undercabinet Mounting Kit Pub. No. 4-A019 for Spacemaker II and Microwave Oven Models JEM31, JEM25, JE740 and JE620 (Available at additional cost)

Not to be used over a thermal oven.



Undercabinet Installation

Install Spacemaker II microwave ovens in just a few easy steps with the mounting template, which provides all the necessary measurements. These microwave ovens can be installed on practically any wood or metal cabinets. Installation may vary depending on cabinets.

Note: 120V, 60-cycle, grounded power receptacle location optional on back within cabinet opening.

Microwave Oven Trim Kits

30" Deluxe Trim Kit for 2.1 cu. ft. Microwave Ovens

This trim kit allows for built-in installation of the 2.1 microwave oven in a wall or cabinet alone, or over a GE Profile™ 30" single electric wall oven.

30" Deluxe Trim Kits for Model JE2160

JX2130SH—Stainless Steel
 JX2130WH—White
 JX2130CH—Bisque
 JX2130BH—Black

Model	"A"	30" Deluxe Trim Kit
JE2160SF	29-3/4"	JX2130SH
JE2160WF	29-3/4"	JX2130WH
JE2160CF	29-3/4"	JX2130CH
JE2160BF	29-3/4"	JX2130BH

27" Deluxe Trim Kit for 2.1 cu. ft. Microwave Ovens

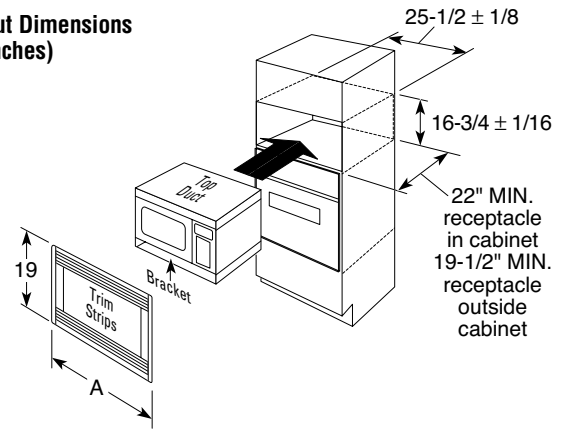
The 27" deluxe trim kit allows a 2.1 microwave oven to be built into a wall or cabinet alone, or over a GE 27" single electric wall oven for a complete one-piece, built-in, integrated appearance.

27" Deluxe Trim Kits for Model JE2160

JX2127SH—Stainless Steel
 JX2127WH—White
 JX2127CH—Bisque
 JX2127BH—Black

Model	"A"	27" Deluxe Trim Kit
JE2160SF	26-5/8"	JX2127SH
JE2160WF	26-5/8"	JX2127WH
JE2160CF	26-5/8"	JX2127CH
JE2160BF	26-5/8"	JX2127BH

Cutout Dimensions (in inches)



30" Deluxe Trim Kit for 1.8 cu. ft. Microwave Ovens

This trim kit allows for built-in installation of the 1.8 microwave oven in a wall or cabinet alone, or over a GE 30" single electric wall oven.

30" Deluxe Trim Kits for Model JE1860

JX1830SB—Stainless Steel
 JX1830WB—White
 JX1830CB—Bisque
 JX1830BB—Black

Model	"A"	30" Deluxe Trim Kit
JE1860SH	29-3/4"	JX1830SB
JE1860WH	29-3/4"	JX1830WB
JE1860CH	29-3/4"	JX1830CB
JE1860BH	29-3/4"	JX1830BB

27" Deluxe Trim Kit for 1.8 cu. ft. Microwave Ovens

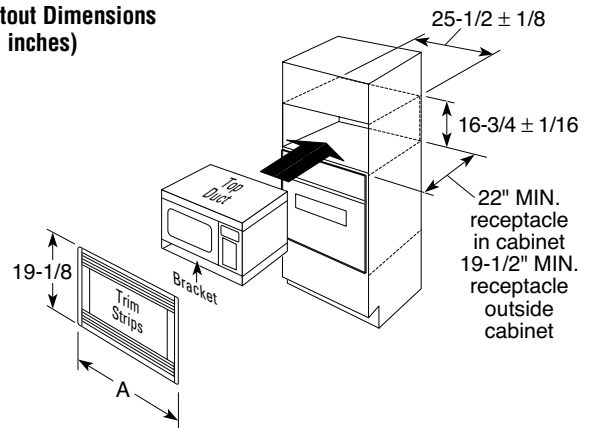
The 27" deluxe trim kit allows a 1.8 microwave oven to be built into a wall or cabinet alone, or over a GE 27" single electric wall oven for a complete one-piece, built-in, integrated appearance.

27" Deluxe Trim Kits for Model JE1860

JX1827SB—Stainless Steel
 JX1827WB—White
 JX1827CB—Bisque
 JX1827BB—Black

Model	"A"	27" Deluxe Trim Kit
JE1860SH	26-7/8"	JX1827SB
JE1860WH	26-7/8"	JX1827WB
JE1860CH	26-7/8"	JX1827CB
JE1860BH	26-7/8"	JX1827BB

Cutout Dimensions (in inches)



Deluxe Trim Kits for 1.5 cu. ft. GE Profile Microwave Ovens

Built-in trim kits allow installation in a wall, cabinet alone, or over a GE 30" or 27" single electric wall oven. Use a convection wall oven under these convection microwave ovens for a complete convection cooking center.

30" Deluxe Trim Kits for Model JE1590

JX1530CSH—Stainless
 JX1530CWH—White
 JX1530CCH—Bisque
 JX1530CBH—Black

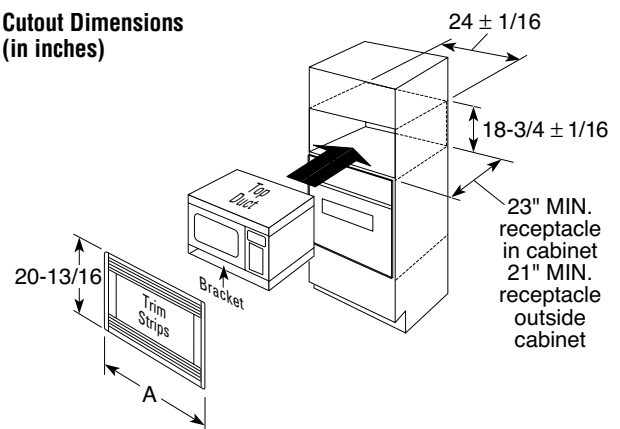
Model	"A"	30" Deluxe Trim Kit
JE1590SH	29-3/4"	JX1530CSH
JE1590WH	29-3/4"	JX1530CWH
JE1590CH	29-3/4"	JX1530CCH
JE1590BH	29-3/4"	JX1530CBH

27" Deluxe Trim Kits for Model JE1590

JX1527CSH—Stainless
 JX1527CWH—White
 JX1527CCH—Bisque
 JX1527CBH—Black

Model	"A"	27" Deluxe Trim Kit
JE1590SH	26-3/4"	JX1527CSH
JE1590WH	26-3/4"	JX1527CWH
JE1590CH	26-3/4"	JX1527CCH
JE1590BH	26-3/4"	JX1527CBH

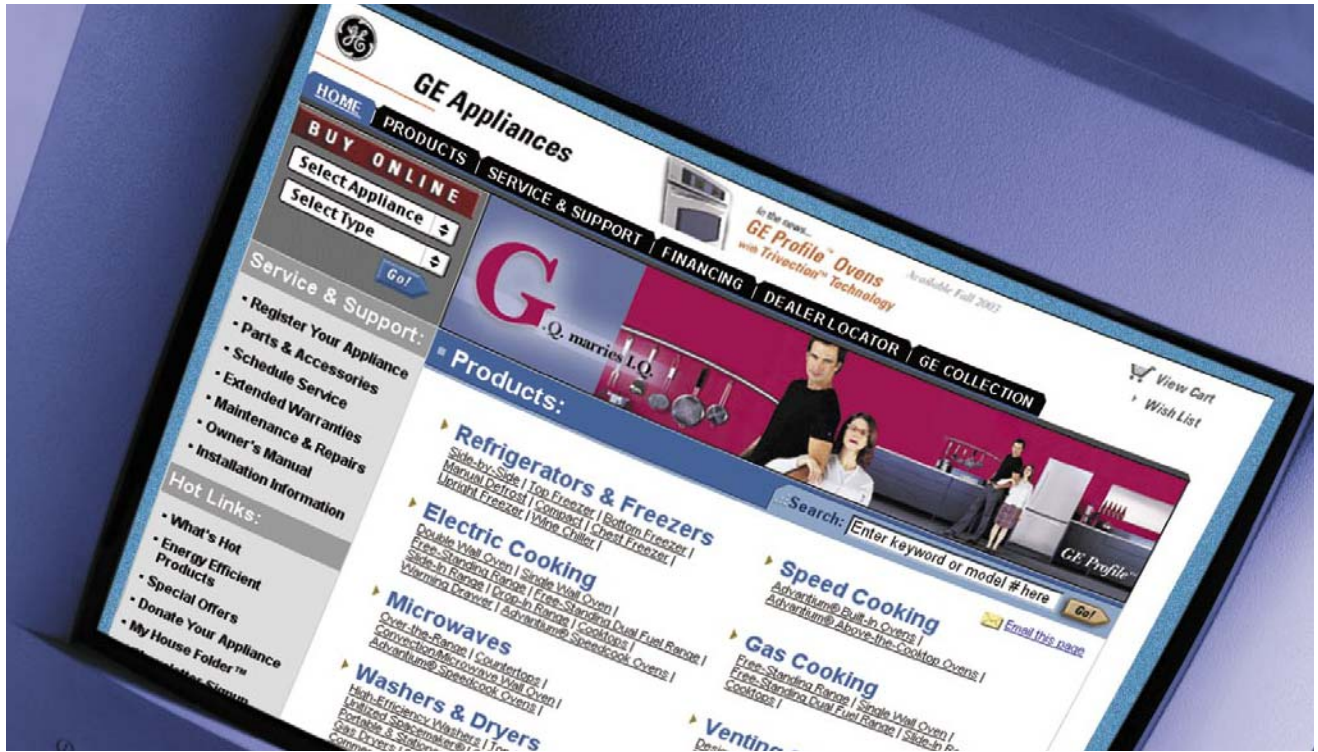
Cutout Dimensions (in inches)



This information is not intended to be used for installing unit described. Before installing, consult installation instructions packed with product/kit for current dimensional data.

Answers that click!

GE puts everything you need at your fingertips.



GE Appliances web site — 16 million visitors a year!
Visit us at GEAppliances.com

Everything you need to know about GE products is here. Access up-to-date information, find out “what’s new,” obtain dimensions, get installation tips and more. Extremely user-friendly, this one-stop site lets you research by brand, category or model number and even buy online through a local GE dealer.

GE Answer Center® saves you time. 800.626.2000

This 24-hour-a-day, 7-day-a-week service provides answers on product features, installation, service and more.



A Century of Quality and Innovation

For more than a century, GE has been committed to producing innovative products that change the way people live. The result of thorough research and rigorous testing, GE appliances are designed for years of dependable performance. Today, the GE tradition of quality and innovation continues.