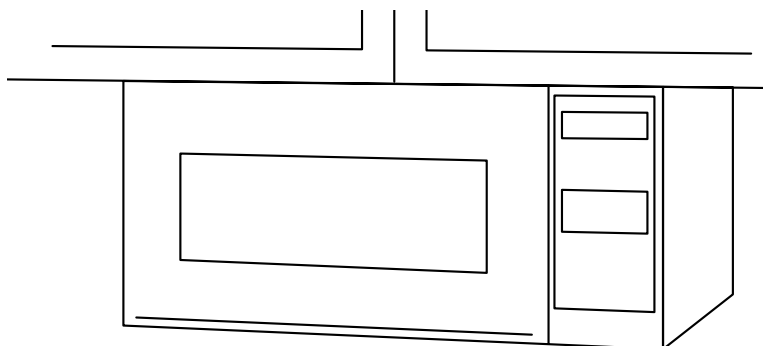


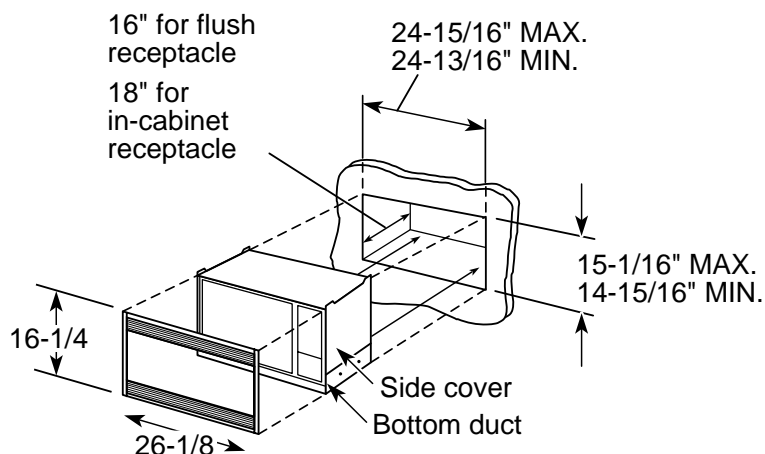


GE Appliances

JEM25BF/WF – GE Spacemaker II™ 1.0 cu. ft. capacity microwave oven



Cutout Dimensions (in inches)



Not to be used over a thermal oven.

Undercabinet mounting kit Pub. No. 4-A019 for Spacemaker II microwave oven models available at additional cost.

Exterior Dimensions* (in inches)	
W x H x D	23-25/32 x 11-11/64 x 12-55/64

*Height includes feet. Depth does not include handle.

Note: Undercabinet installation

Install Spacemaker II microwave ovens in just a few easy steps with the mounting template, which provides all the necessary measurements. Installation may vary depending on cabinets. These microwave ovens can be installed on practically any wood or metal cabinets.

Note: 120V, 60-cycle, grounded power receptacle location optional on back within cabinet opening.

Built-In trim kit For 1.0 cu. ft. microwave ovens

For a custom built-in appearance, this kit allows built-in installation of the Spacemaker II microwave oven into a wall or cabinet alone, and is U.L.-approved for installation over a GE single electric wall oven. This kit should not be installed over a gas wall oven.

Trim kits for model JEM25

JX827SS – Stainless Steel, JX827WN – White, JX827CD – Bisque, JX827BN – Black

Installation Information: This information is not intended to be used for installing unit described. Before installing, consult installation instructions packed with product for current dimensional data.

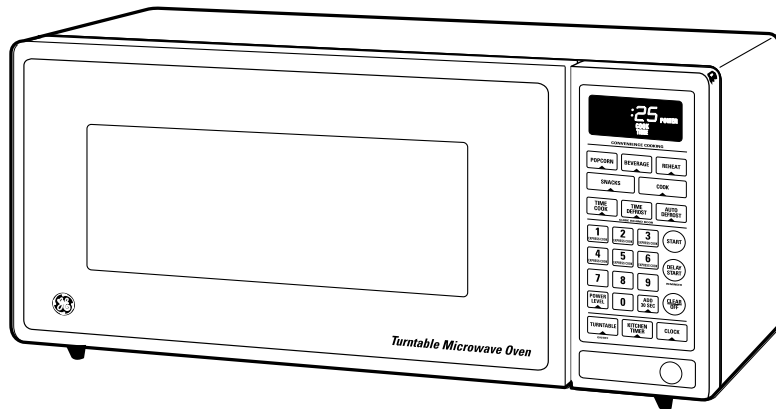


For answers to your Monogram®, GE Profile™ or GE® appliance questions, visit our website at GEAppliances.com or call GE Answer Center® service, 800.626.2000.



GE Appliances

JEM25BF/WF – GE Spacemaker II™ 1.0 cu. ft. capacity microwave oven



Features and Benefits

- 1.0 cu. ft. Oven cavity
- 800 Watts*
- Electronic touch controls
- Convenience cooking controls
- Electronic digital display with clock
- Time Cook I & II
- Express Cook with Instant On controls
- Auto Defrost/Time Defrost
- Add 30 Seconds
- Delay Start/Reminder
- Child Lockout
- Kitchen timer
- 10 Power levels
- Under the cabinetry mounting with optional kit
- Model JEM25WF – White
- Model JEM25BF – Black

*IEC-705 Test Procedure