

JGB295SER

GE® 30" Free-Standing Gas Convection Range

Dimensions and Installation Information (in inches)

Optional Gas Range Accessory Drip Pans for Sealed and Standard Burner Models

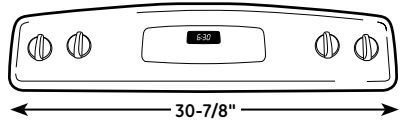
(Available at additional cost)

To order these accessory drip pans, call toll-free 800-626-2002

Gas Self-Clean Range Anti-Tip Bracket (Part No. 205C1714P001)

Electrical Rating: 120V, 60Hz, 5A

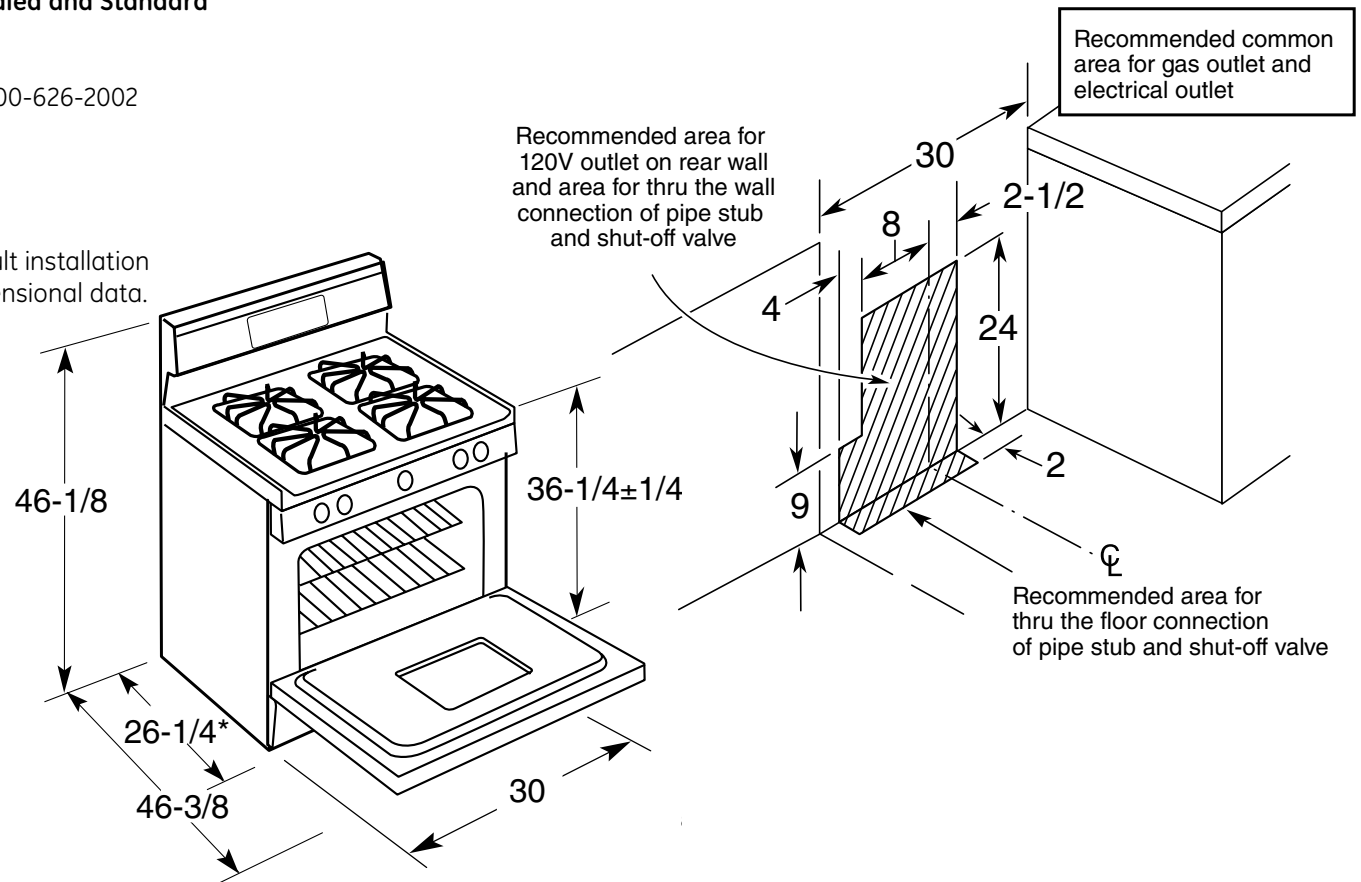
Installation Information: Before installing, consult installation instructions packed with product for current dimensional data.



All 30" GE gas and electric range backguards are 30-7/8" wide.*

Note: 30" ranges conform to U.L. requirements for 0" spacing from adjacent walls below countertops. To reduce possible scorching of walls, engineering recommends a minimum of 1-1/2" spacing to allow for possible extended, high heat, no-load heating element operation.

*Except these models: JGBS07, JGBS04, all GE Profile free-standing electric and gas ranges
Fits most countertop backsplash applications.
Consult Use & Care Manual for detailed installation instructions.



*Dimension from wall to front of closed door handle is 28-5/8".

For answers to your Monogram®, GE Profile™ or GE® appliance questions, visit our website at ge.com or call GE Answer Center® service, 800.626.2000.



All GE ranges are equipped with an Anti-Tip device. The installation of this device is an important, required step in the installation of the range.

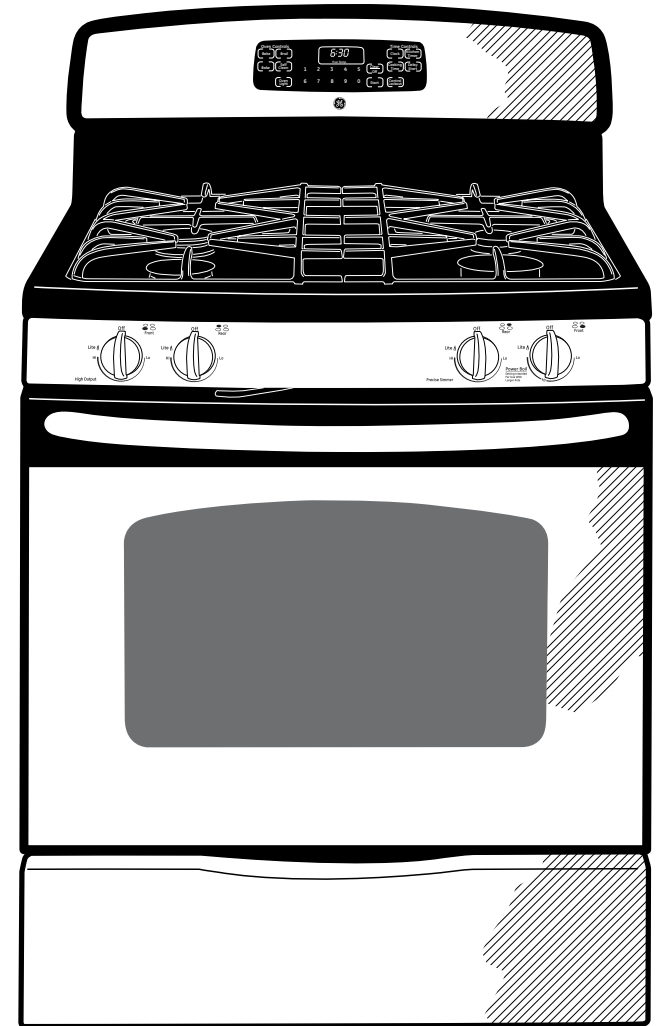


JGB295SER

GE® 30" Free-Standing Gas Convection Range

Features and Benefits

- Self-clean oven—Allows you to spare yourself from the trouble and effort it takes to scrub the oven interior
- Super-large oven capacity—Remarkably large oven interior is ideal for holidays, dinner parties and everyday family cooking
- Gas convection oven—Convection heating circulates the air to keep the heat consistent, enhancing the baking or roasting results
- Heavy-cast, continuous grates—Matte-finish, connected cooktop grates provide a sturdy, uninterrupted surface that allows pots and pans to move easily
- Deep-recessed cooktop—Cooktop keeps spills, and everything else, contained in one area that's easy to wipe clean
- PowerBoil™ 16,000 BTU Burner—Delivers 16,000 BTUs of forceful heat for rapid boiling
- Precise Simmer burner—Allows for low, even heat distribution that is ideal delicate foods and sauces
- TrueTemp™ oven system—This feature helps ensure the temperature you set is the temperature you get, with less variance, to give you the baking and broiling performance you desire
- Sealed cooktop burners—Burners are sealed to the cooktop to keep foods and liquid contained on the cooktop, making cleaning painless
- QuickSet V Oven Controls—Feature an easy to use design that allows you to set precise cooking temperature
- Model JGB295SERSS - Stainless steel



imagination at work