

JGB428SER

GE® 30" Free-Standing Self-Clean Gas Range

Dimensions and Installation Information (in inches)

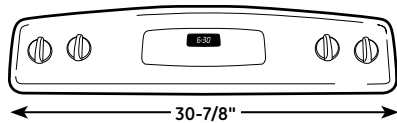
Note: Dimension from the wall to the front of the closed door handle is 29-3/4". Depth to front edge of cooktop 25-1/4".

Optional Gas Range Accessory Drip Pans for Sealed and Standard Burner Models:

(Available at additional cost)
To order these accessory drip pans, call toll-free 800-626-2002.

Electrical Rating: 120V, 60Hz, 5A

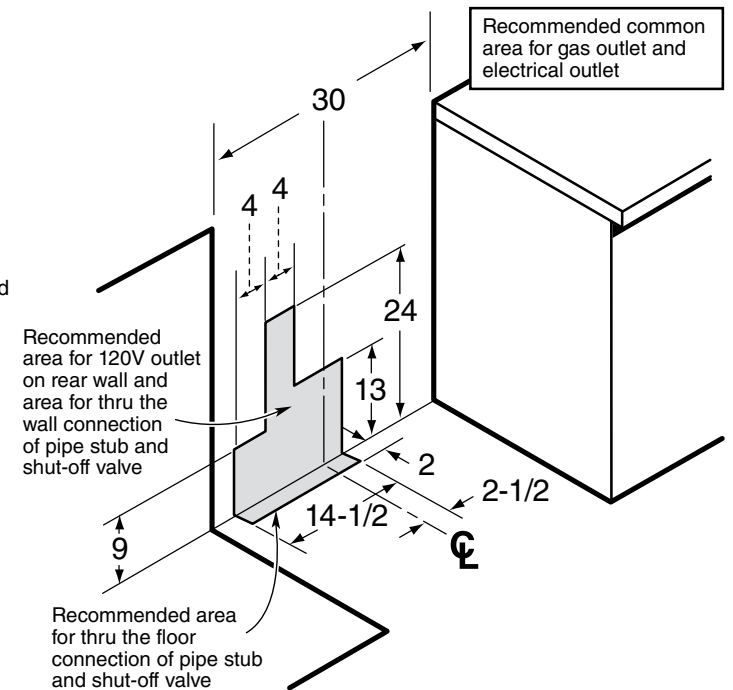
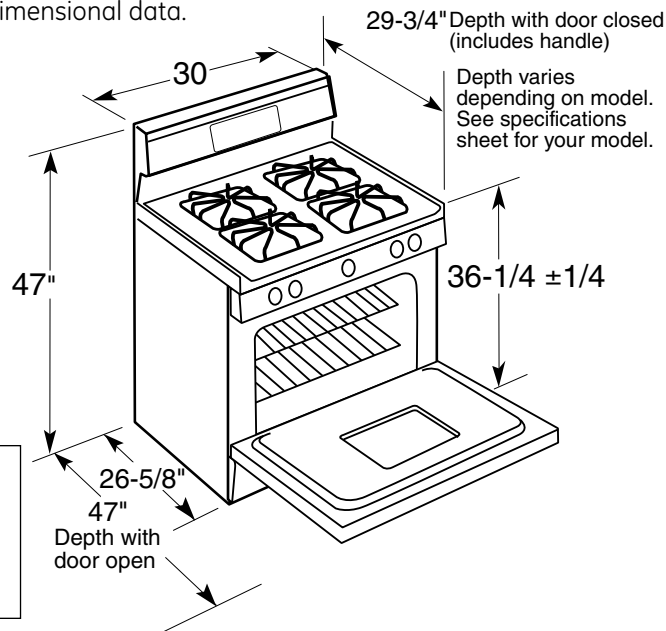
Installation Information: Before installing, consult installation instructions packed with product for current dimensional data.



All 30" GE gas and electric range backguards are 30-7/8" wide.*

Note: 30" ranges conform to U.L. requirements for 0" spacing from adjacent walls below countertops. To reduce possible scorching of walls, engineering recommends a minimum of 1-1/2" spacing to allow for possible extended, high heat, no-load heating element operation.

*Except these models: JGBS07, JGBS04, all GE Profile free-standing electric and gas ranges
Fits most countertop backsplash applications.
Consult Use & Care Manual for detailed installation instructions.



imagination at work

For answers to your Monogram® or GE® appliance questions, visit our website at geappliances.com or call GE Answer Center® service, 800.626.2000.



All GE ranges are equipped with an Anti-Tip device. The installation of this device is an important, required step in the installation of the range.



Specification Revised 3/13

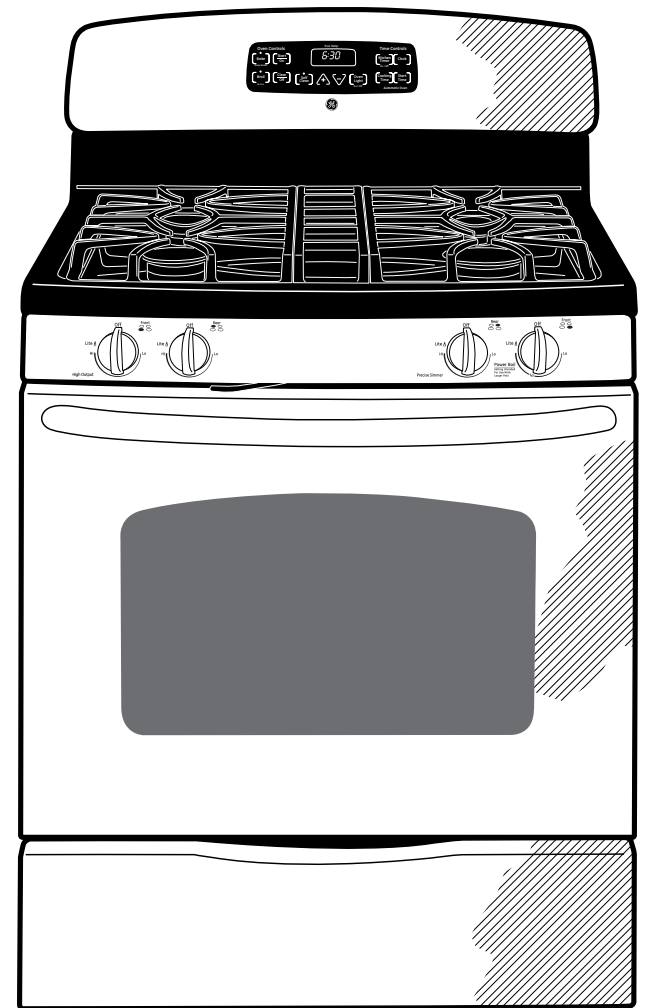
330506

JGB428SER

GE® 30" Free-Standing Self-Clean Gas Range

Features and Benefits

- Gas-on-glass cooktop–Ceramic glass surface looks sleek and is incredibly easy to wipe clean
- Super-large oven capacity–Remarkably large oven interior is ideal for holidays, dinner parties and everyday family cooking
- Heavy-cast, continuous grates–Matte-finish, connected cooktop grates provide a sturdy, uninterrupted surface that allows pots and pans to move easily
- Power Boil 15,000 BTU burner–This powerful burner instantly supplies the intense heat need for boiling, sautéing and stir frying
- Precise Simmer burner–Allows for low, even heat distribution that is ideal for delicate foods and sauces
- Stainless appearance knobs–Stainless appearance knobs add a touch of style that complements the overall stainless steel exterior
- True Temp oven system–This feature helps ensure the temperature you set is the temperature you get, with less variance, to give you the baking and broiling performance you desire
- Model JGB428SERSS - Stainless steel with black accents



imagination at work