

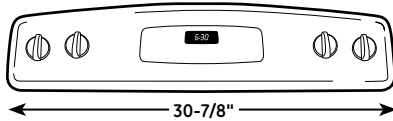
# JGB600EED

## GE® 30" Free-Standing Gas Range

### Dimensions and Installation Information (in inches)

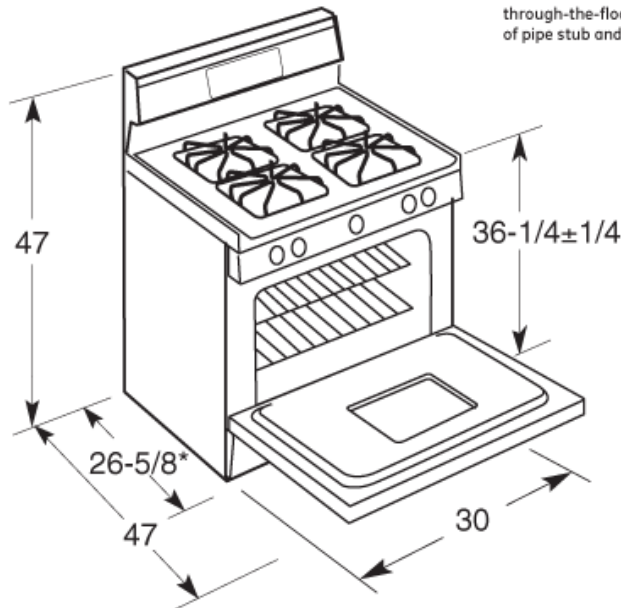
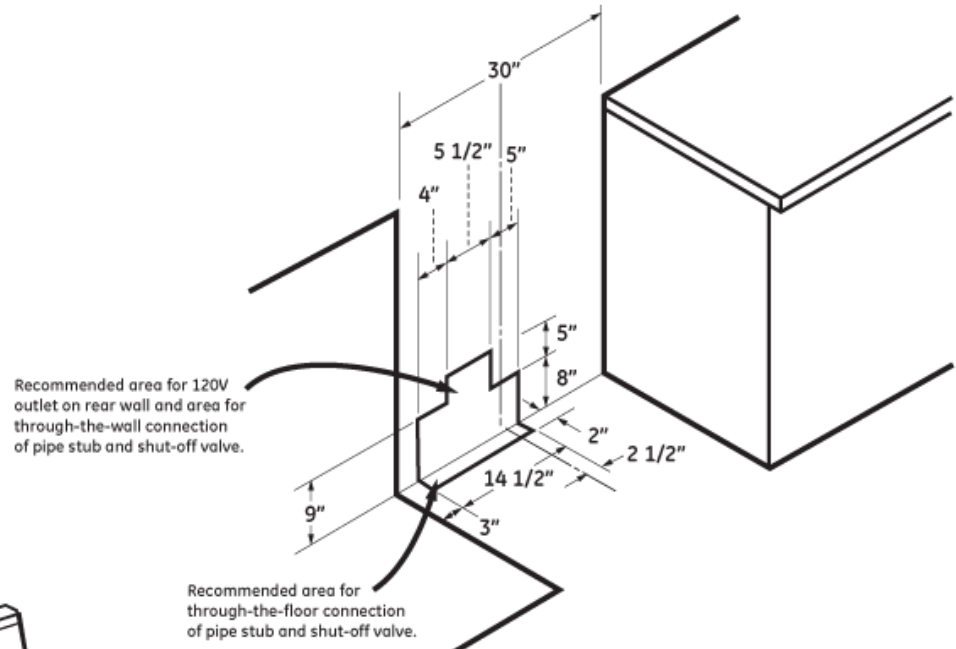
**Electrical Rating:** 120V, 60Hz, 9A

**Installation Information:** Before installing, consult installation instructions packed with product for current dimensional data.



All 30" GE gas and electric range backguards are 30-7/8" wide.\*

\*Except these models: JGBS07, JGBS04, all GE Profile free-standing electric and gas ranges  
Fits most countertop backsplash applications.  
Consult Use & Care Manual for detailed installation instructions.



\*Dimension from wall to front of closed door handle is 29-3/4".

For answers to your Monogram®, GE Profile™ or GE® appliance questions, visit our website at [geappliances.com](http://geappliances.com) or call GE Answer Center® service, 800.626.2000.



All GE ranges are equipped with an Anti-Tip device. The installation of this device is an important, required step in the installation of the range.

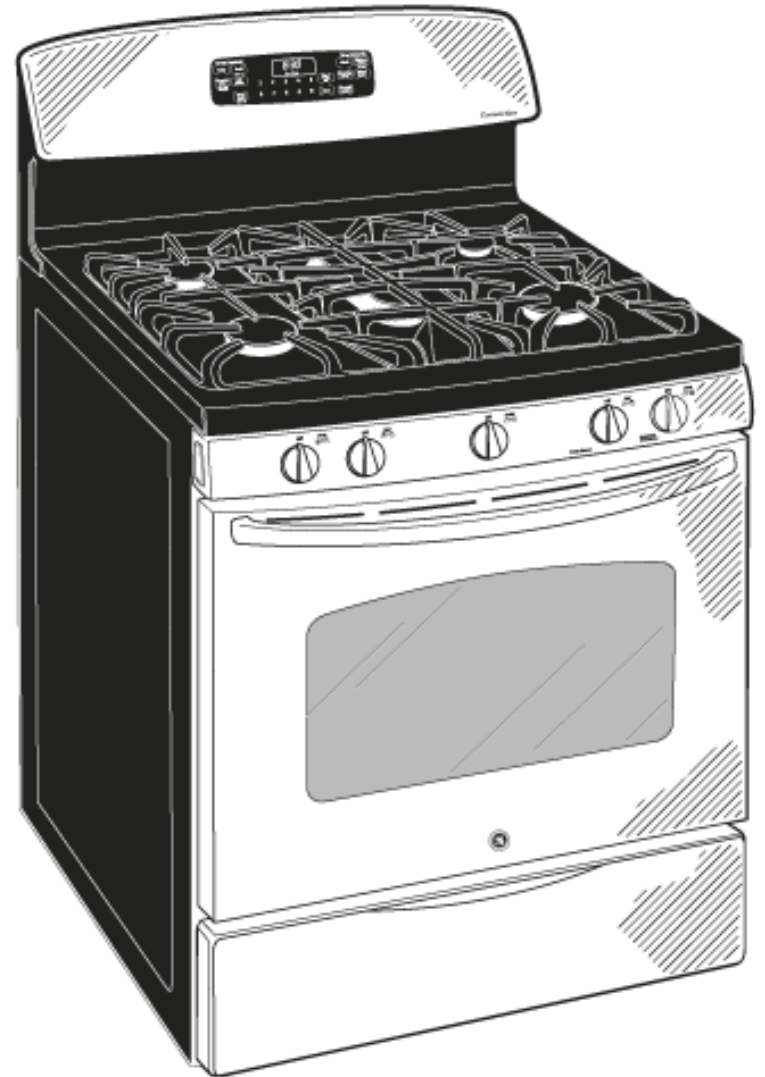


# JGB600EED

## GE® 30" Free-Standing Gas Range

### Features and Benefits

- Gas convection oven - Circulates heat for high-quality results
- Self-clean oven - Cleans the oven cavity without the need for scrubbing
- Self-clean heavy-duty oven racks - Can stay in the oven during the self-clean cycle
- 5.0 cu. ft. oven capacity - Enough room to cook an entire meal at once
- 17,000 BTU PowerBoil™ burner - Delivers intense heat for faster boiling
- Precise simmer burner - Delivers a low setting of 140 degrees
- Model JGB600EEDES - Slate



imagination at work