

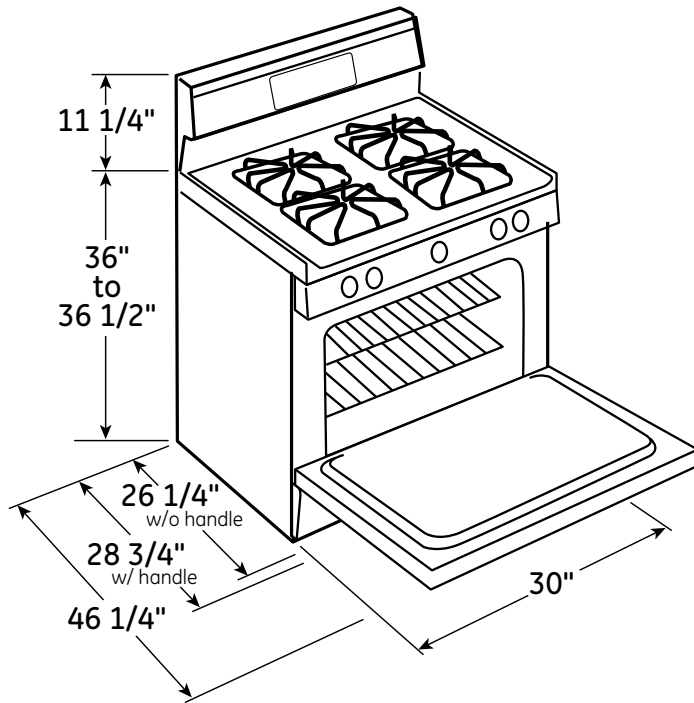
JGB640DEF

GE® 30" Free-Standing Gas Range

Dimensions and Installation Information (in inches)

Electrical Rating: 120V, 60Hz, 15A

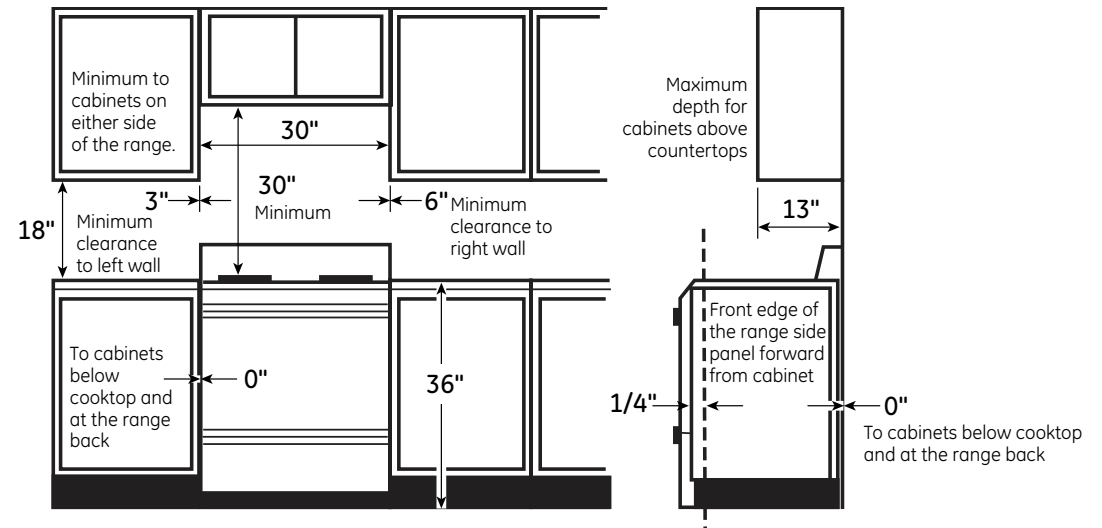
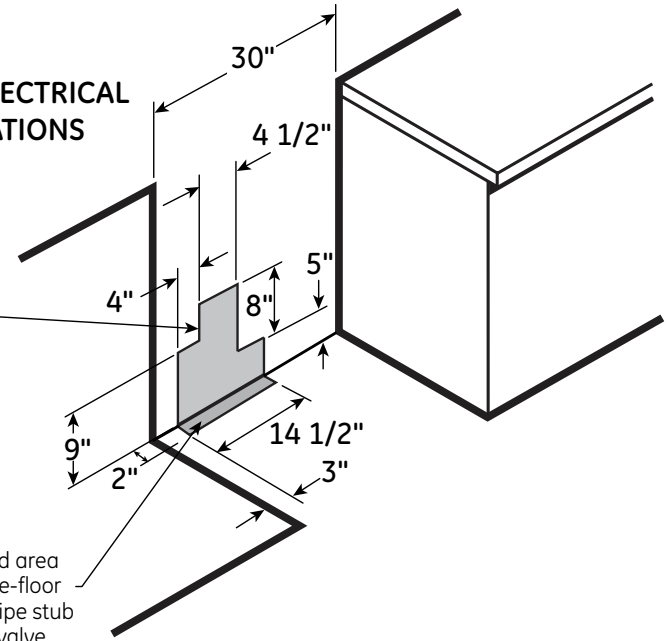
Installation Information: Before installing, consult installation instructions packed with product for current dimensional data.



GAS PIPE AND ELECTRICAL OUTLET LOCATIONS

Recommended area for 120V outlet on rear wall and area for through-the-wall connection of pipe stub and shut-off valve.

Recommended area for through-the-floor connection of pipe stub and shut-off valve.



imagination at work

For answers to your Monogram® or GE® appliance questions, visit our website at geappliances.com or call GE Answer Center® service, 800.626.2000.



All GE ranges are equipped with an Anti-Tip device. The installation of this device is an important, required step in the installation of the range.



Specification Revised 10/13

330450

JGB640DEF

GE® 30" Free-Standing Gas Range

Features and Benefits

- 15,000 BTU Power Boil Burner - Delivers high heat for fast boiling
- Precise Simmer Burner - Delicate foods don't burn with low, even heat
- Heavy-Cast, Continuous Grates - Allow for easy movement of pans between burners
- Deep-Recessed Cooktop - Contains spills for quick and easy cleaning
- Self-Clean Oven - Cleans the oven cavity without the need for scrubbing
- 5.0 cu. ft. Oven Capacity - Cook more dishes at once
- Sealed Cooktop Burners - Contains spills and make cleaning quick and easy
- Model JGB640DEFBB - Black on black
- Model JGB640DEFWW - White on white



imagination at work