

JGB820DEP

GE® 30" Free-Standing Self-Clean Free-Standing Gas Range

Dimensions and Installation Information (in inches)

Optional Gas Range Accessory Drip Pans for Sealed and Standard Burner Models

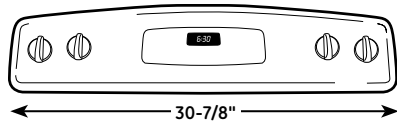
(Available at additional cost)

To order these accessory drip pans, call toll-free 800-626-2002.

Gas Self-Clean Range Anti-Tip Bracket (Part No. 205C1714P001)

Electrical Rating: 120V, 60Hz, 9A

Installation Information: Before installing, consult installation instructions packed with product for current dimensional data.

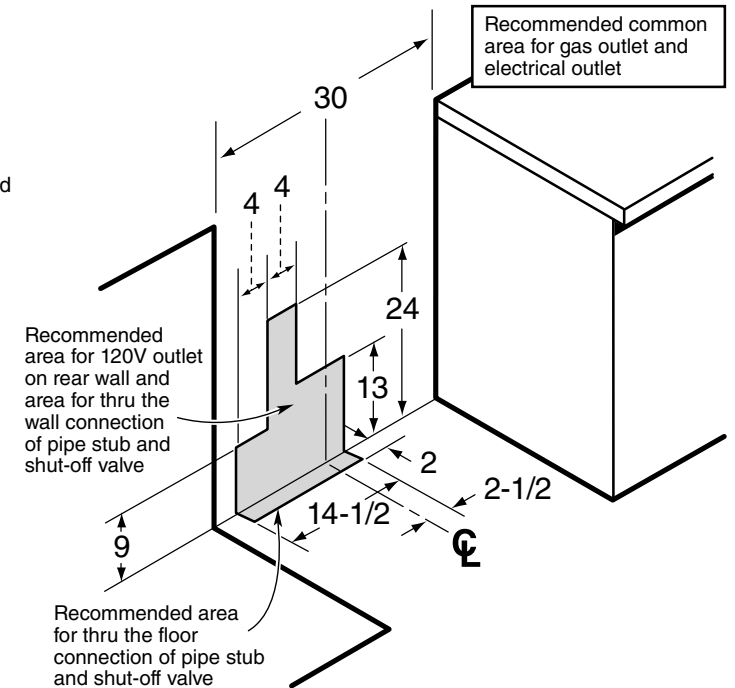
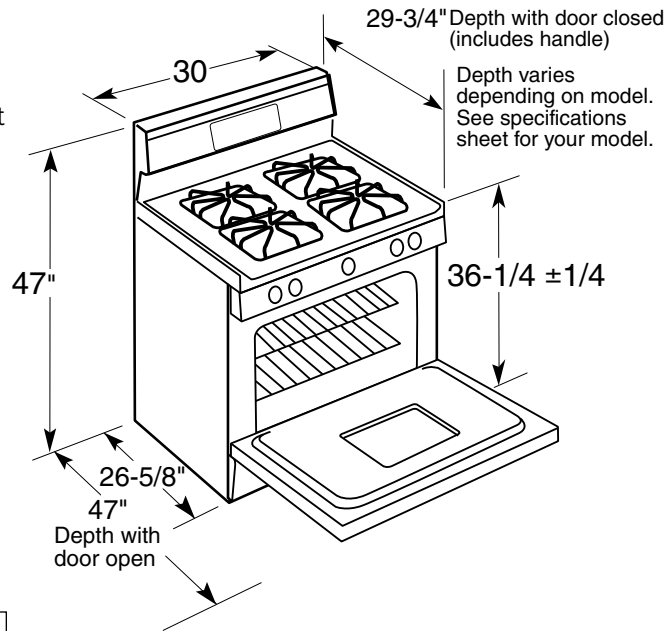


All 30" GE gas and electric range backguards are 30-7/8" wide.*

Note: 30" ranges conform to U.L. requirements for 0" spacing from adjacent walls below countertops. To reduce possible scorching of walls, engineering recommends a minimum of 1-1/2" spacing to allow for possible extended, high heat, no-load heating element operation.

*Except these models: JGBS07, JGBS04, all GE Profile free-standing electric and gas ranges
Fits most countertop backsplash applications.
Consult Use & Care Manual for detailed installation instructions.

For answers to your Monogram,® GE Profile™ or GE® appliance questions, visit our website at geappliances.com or call GE Answer Center® service, 800.626.2000.



All GE ranges are equipped with an Anti-Tip device. The installation of this device is an important, required step in the installation of the range.



JGB820DEP

GE® 30" Free-Standing Self-Clean Free-Standing Gas Range

Features and Benefits

- Self-clean Oven - Self-clean allows you to spare yourself from the trouble and effort it takes to scrub the oven interior. The oven does all the work!
- Super-large 5.0 cu. ft. Oven Capacity - Remarkably large oven interior is ideal for holidays, dinner parties and everyday family cooking
- Heavy-cast, Continuous Grates - Matte-finish cooktop grates provide a sturdy, uninterrupted surface that allows pots and pans to move easily
- Gas Convection Oven - Convection heating circulates the air to keep the heat consistent, enhancing the baking or roasting results
- Warming Drawer - The convenient drawer keeps foods warm and ready to serve and helps makes meal coordination easier
- Reversible Cast-iron Griddle/Grill - Provides the flexibility to sear meats on the grill and cook delicate meals on the griddle
- PowerBoil™ 17K Burner - This powerful element instantly supplies the intense heat need for boiling, sautéing and stir frying
- Center Oval Burner - Oval fifth burner in the center of the cooktop is large to accommodate odd-sized cookware or griddles
- Deep-recessed Cooktop - Deep recessed cooktop keeps spills, and everything else, contained in one area that's easy to wipe clean
- Precise Simmer Burner - Simmer burners allows for low, even heat distribution that is ideal delicate foods and sauces
- Model JGB820DEPWW - White
- Model JGB820DEPBB - Black

