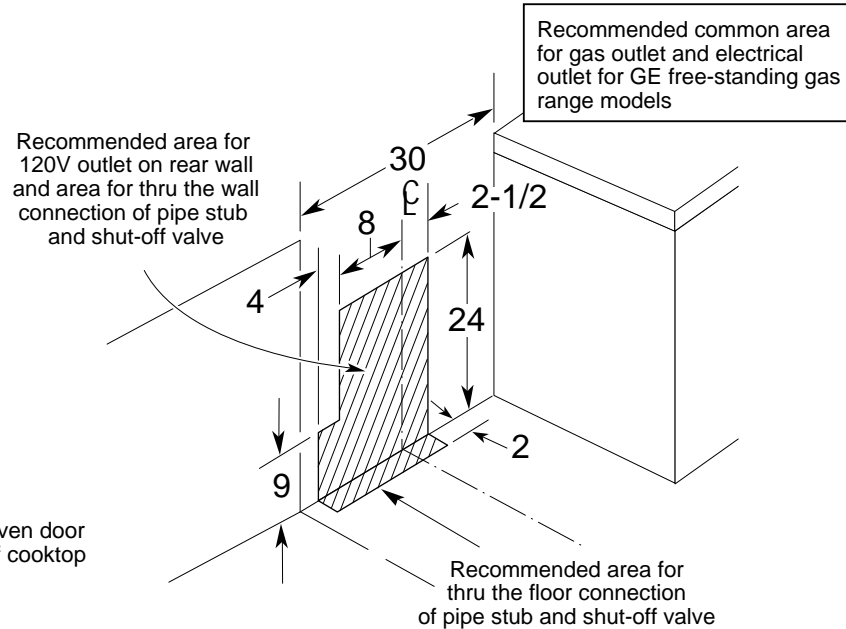
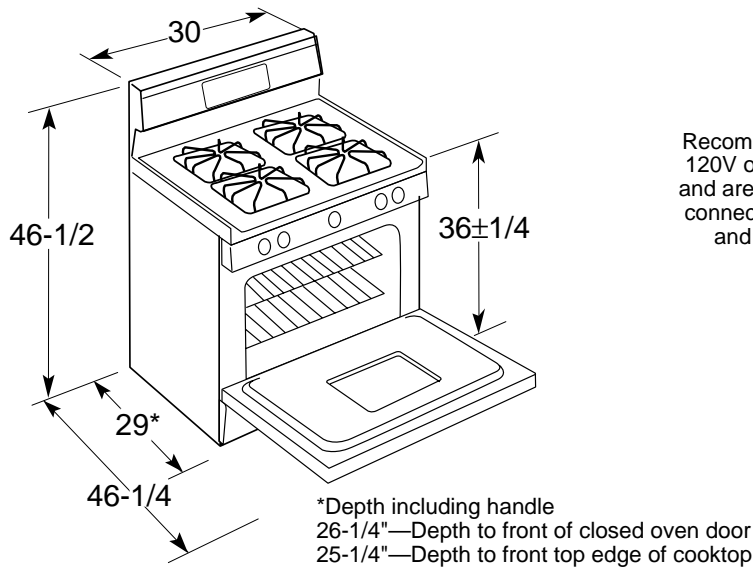




GE Appliances

JGBC17PEAAD—30" Free-Standing XL44™ Gas Range

Dimensions (in inches) and Installation Information



Optional Gas Range Accessory Drip Pans for Sealed and Standard Burner Models
(Available at additional cost)
To order these accessory drip pans, call toll-free 800-848-7722.

Electrical Rating: 120V, 60Hz, 5A

Installation Information: Before installing, consult installation instructions packed with product for current dimensional data.

For answers to your Monogram®, GE Profile Performance Series™, GE Profile™, and GE appliance questions, call GE Answer Center® service, 800.626.2000.



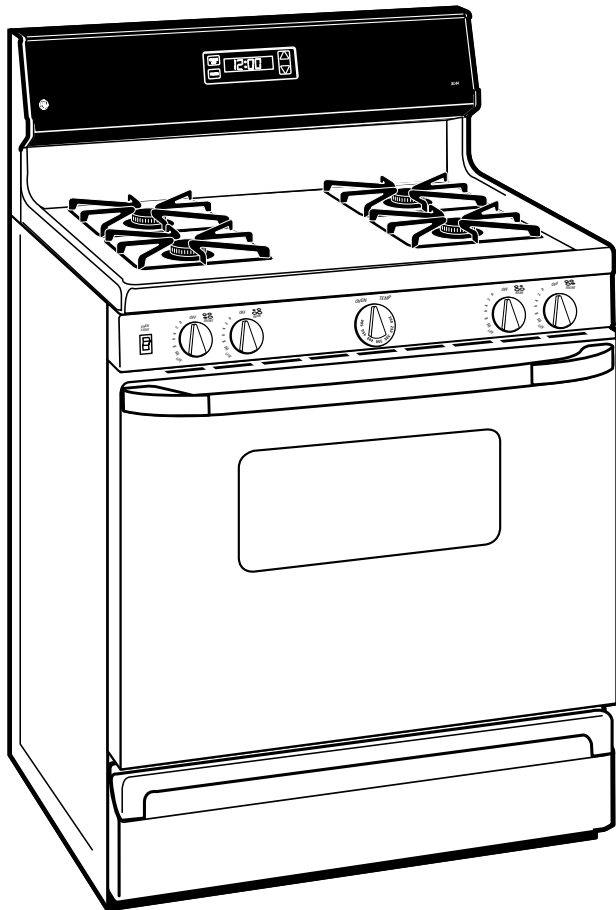
All GE ranges are equipped with an Anti-Tip device. The installation of this device is an important, required step in the installation of the range.





GE Appliances

JGBC17PEAAD—30" Free-Standing XL44™ Gas Range



Features and Benefits

- One-Piece Upswept Porcelain-Enameled Lift-Up Cooktop
- Standard/Twin Cooktop Burners
- Black Standard Porcelain-Steel Square Grates
- Electronic Pilotless Ignition System
- Extra-Large 4.4 cu. ft. Continuous Clean Oven
- Electronic Clock and Timer
- Slide Out Broiler Drawer
- Extra-Large Broiler Pan with Grid
- 2 Oven Racks / 6 Embossed Rack Positions
- Easy-Clean Porcelain-Enameled Subtop
- Color-Matched Porcelain-Enameled Oven Door with Window
- Designer-Style Handle
- Optional Accessory One-Piece Drip Pans Available at Additional Cost
- Also Available in a Standard Clean Oven as Model JGBS17PEA
- Model JGBC17PEAWH—White
- Model JGBC17PEAAD—Almond