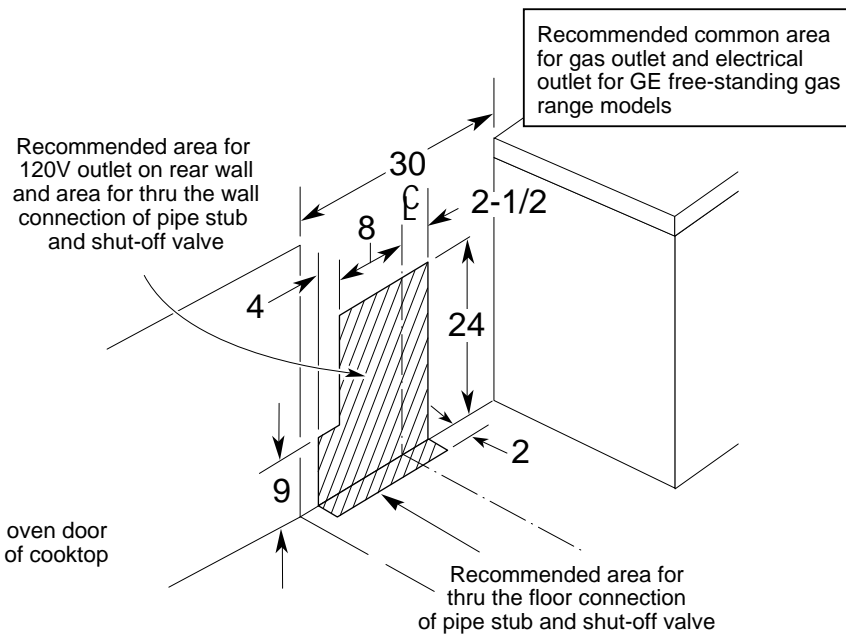
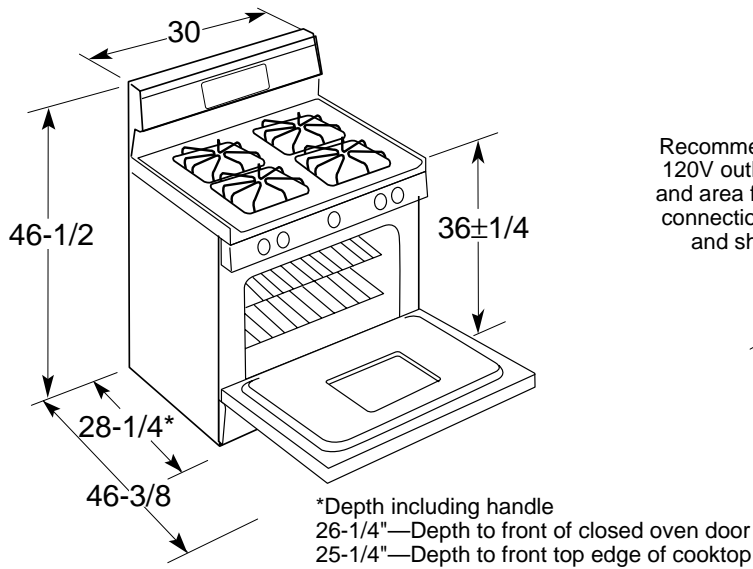




GE Appliances

JGBP26BEAWH—30" Free-Standing XL44™ Gas Range

Dimensions (in inches) and Installation Information



Optional Gas Range Accessory Drip Pans for Sealed and Standard Burner Models
(Available at additional cost)
To order these accessory drip pans, call toll-free 800-848-7722.

Electrical Rating: 120V, 60Hz, 5A

Installation Information: Before installing, consult installation instructions packed with product for current dimensional data.

For answers to your Monogram®, GE Profile Performance Series™, GE Profile™, and GE appliance questions, call GE Answer Center® service, 800.626.2000.



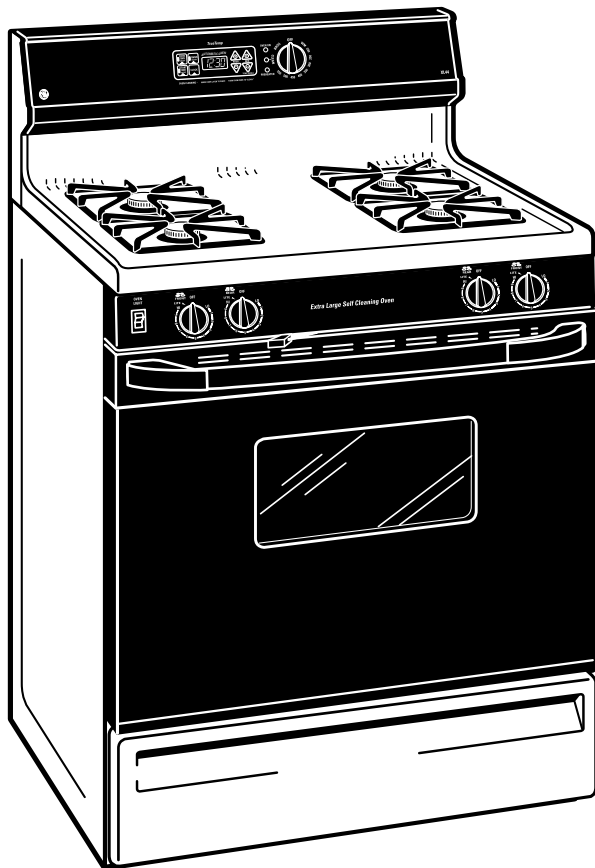
All GE ranges are equipped with an Anti-Tip device. The installation of this device is an important, required step in the installation of the range.





GE Appliances

JGBP26BEAWH—30" Free-Standing XL44™ Gas Range



Features and Benefits

- One-Piece Upswept Porcelain-Enameled Lift-Up Cooktop
- Standard/Twin Cooktop Burners
- Black Standard Porcelain-Steel Square Grates
- Black Porcelain-Enameled One-Piece Drip Pans
- Electronic Pilotless Ignition System
- Extra-Large 4.4 cu. ft. Self-Cleaning Oven
- TrueTemp™ System
- SmartLogic™ Electric Controls
- QuickSet III Oven Controls
- Electronic Clock and Timer
- In-Oven Broiling
- Extra-Large Broiler Pan with Grid
- 2 Oven Racks / 6 Embossed Rack Positions
- Removable Frameless Glass Oven Door with Window
- Designer-Style Handle
- Porcelain-Enameled Scratch-Resistant Backguard
- Storage Drawer
- Model JGBP26BEAWH—White
- Model JGBP26BEAAD—Almond