

JGBP27WEL

GE® 30" Free-Standing Self-Clean Gas Range

Dimensions and Installation Information (in inches)

Optional Gas Range Accessory Drip Pans for Sealed and Standard Burner Models

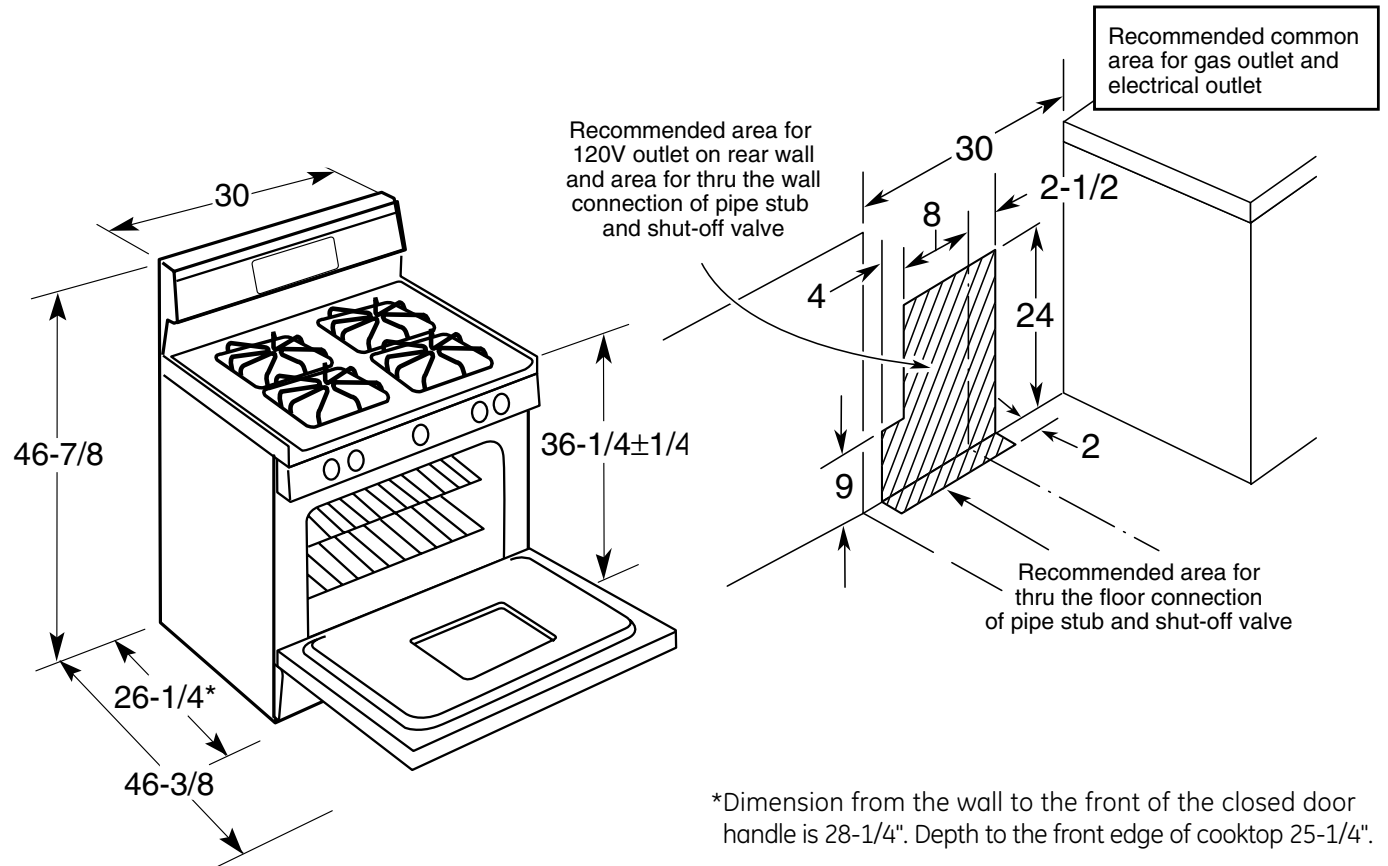
(Available at additional cost)

To order these accessory drip pans, call toll-free 800-626-2002

Gas Self-Clean Range Anti-Tip Bracket (Part No. 205C1714P001)

Electrical Rating: 120V, 60Hz, 5A

Installation Information: Before installing, consult installation instructions packed with product for current dimensional data.



*Dimension from the wall to the front of the closed door handle is 28-1/4". Depth to the front edge of cooktop 25-1/4".

For answers to your Monogram®, GE Profile™ or GE® appliance questions, visit our website at ge.com or call GE Answer Center® service, 800.626.2000.



imagination at work



All GE ranges are equipped with an Anti-Tip device. The installation of this device is an important, required step in the installation of the range.



Specification Created 10/05

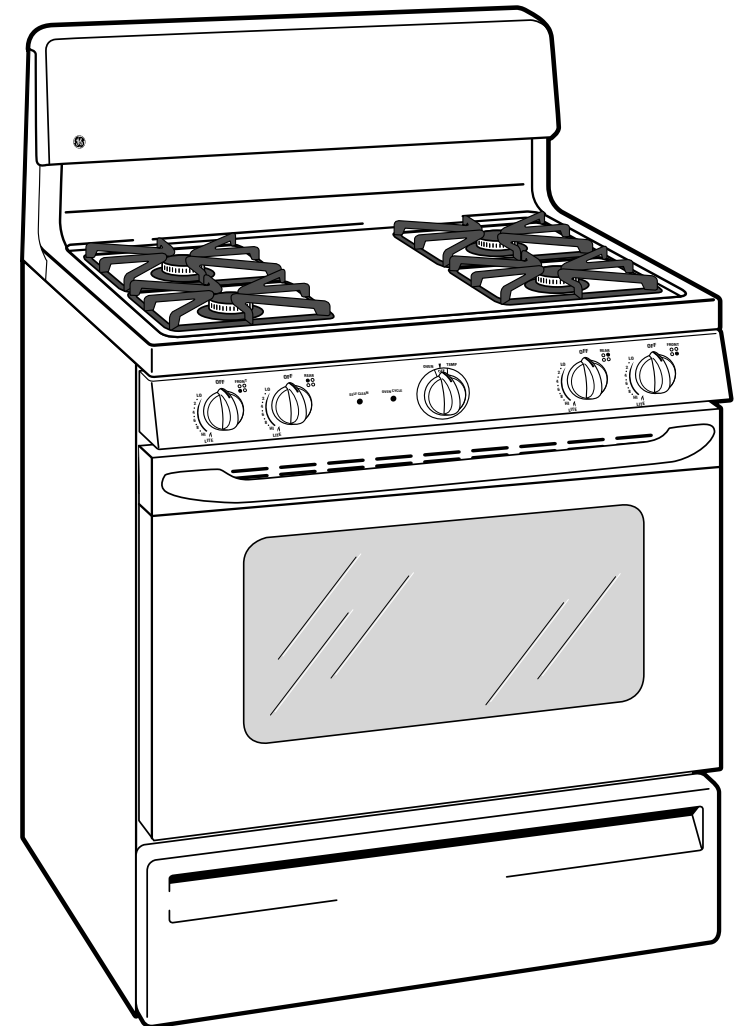
330430

JGBP27WEL

GE® 30" Free-Standing Self-Clean Gas Range

Features and Benefits

- Self Clean Oven - Conveniently cleans the oven cavity without need of scrubbing
- Upfront Controls - Controls are placed within easy reach at the front center of the cooktop
- Extra-Large Oven Capacity - Provides a large oven interior ideal for cooking more items at once
- All Purpose Burners - Deliver a wide range of heat output ideal for most cooking requirements
- ADA-Compliant - Designed for easy operation and easy access
- Sealed Cooktop Burners - Eliminate the space between the burners and the cooktop to help contain spills and boil over liquids, ensuring easy cleanup
- Heavy Steel Grates - Constructed from quality steel for long-lasting performance and durability
- Big ClearView™ Window - An extra large clear window makes monitoring the progress of food easy
- Model JGBP27WELWW - White on white



imagination at work