



power boil™ burner • precise simmer burner • 2003 product specifications • even baking and roasting • smooth control panel

GE Profile™ and GE® Free-Standing Gas Ranges

The maximum in cooking performance and versatility.

imagination at work



Advanced technology
meets distinctive style.

GE Profile™ free-standing ranges beautifully blend

performance with contemporary design. A gas

on glass or deep recessed cooktop surface, with

continuous grates, features four sealed burner sizes,

including Power Boil™ and Precise Simmer burners.

For easy operation, glass touch controls are featured.

A sculptured handle complements the gorgeous

stainless steel finish. The two-speed convection

system works with the

TrueTemp™ system

to deliver delicious

and even results, and

Auto Recipe™ conversion

adjusts the temperature

for convection baking.



**Convection gas and dual-fuel
ranges—GE's first!**

These ranges utilize an innovative convection system that works in conjunction with our TrueTemp™ system to deliver delicious baking and roasting results.



Cooktop options

Choose from a gas on glass cooktop with a continuous surface or a deep recessed cooktop with a depressed surface. Both include sealed burners to help contain spills and make cleaning easy.



Burner options

Four convenient burner sizes satisfy every cooktop need, from boiling to simmering.



Warming drawer

The warming drawer lets you prepare side dishes at your own pace. Conveniently located under the oven, this drawer keeps food warm until serving.



Not all features available on all models.



Self-Clean: Sealed Burners

These models include • The most dependable ranges you can buy! • TrueTemp™ system • Electronic controls • Super-large 5.0 cu. ft. capacity self-clean oven • Sealed burners • Power Boil™ burner • High Output burner • Precise Simmer burner • Continuous grates • Dishwasher-safe grates • Sculptured handle • Six embossed rack positions • In-oven broiling • Extra-large broiler pan with grid • Certified Sabbath mode • Audible preheat signal • Interior oven light • Electronic ignition **Note: bold = feature upgrade from previous model**



Gas convection ovens—GE's first.



The revolutionary gas on glass cooktop—changing the way you cook with gas.



Power Boil™ burner delivers 15,000 BTUs for faster boiling.



The warming drawer helps keep foods and side dishes warm and ready to serve.



GE Profile™ 30" Free-Standing Convection Gas Range with Warming Drawer

- JGB920SEF** Stainless steel
- **Smooth ceramic gas on glass cooktop** • QuickSet VI glass touch oven controls* • Two-speed convection oven • Convection Bake • Convection Roast • Auto Recipe™ conversion • Stainless steel oven door with Big ClearView™ window • Three oven racks • Oven meat probe • Warming drawer with stainless steel insert
- JGB920TEF** True white (not shown)
- Frameless glass oven door
- JGB920KEF** True bisque (not shown)
- JGB920BEF** Black on black (not shown)



GE Profile 30" Free-Standing Convection Gas Range with Warming Drawer

- JGB915BEF** Black on black
- Deep-recessed porcelain cooktop • QuickSet VI glass touch oven controls* • Two-speed convection oven • Convection Bake • Convection Roast • Auto Recipe conversion • Frameless glass oven door with Big ClearView window • Three oven racks • **Oven meat probe** • Warming drawer with stainless steel insert
- JGB915WEF** White on white (not shown)
- JGB915CEF** Bisque on bisque (not shown)
- JGB915SEF** Stainless steel (not shown)
- Stainless steel door

*Stainless models feature traditional QuickSet controls.



GE Profile
 30" Free-Standing
 Gas Range with Warming Drawer

- JGB905WEF** White on white
 • Deep-recessed porcelain cooktop • QuickSet V oven controls • Frameless glass oven door with Big ClearView window • Two oven racks
 • Warming drawer
JGB905CEF Bisque on bisque (not shown)
JGB905BEF Black on black (not shown)
JGB905SEF Stainless steel (not shown)
 • Stainless steel door



Continuous grates provide a flat, sturdy surface, allowing easy movement of pans between burners.



Precise Simmer burner uses a low temperature setting of 140° for better simmering control.



Sealed burner design helps contain spills from dripping beneath cooktop for easy cleanup.



GE Profile
 30" Free-Standing Gas Range

- JGB900CEF** Bisque on bisque
 • Deep-recessed porcelain cooktop • QuickSet V oven controls • Frameless glass oven door with Big ClearView window • Two oven racks
JGB900WEF White on white (not shown)
JGB900BEF Black on black (not shown)
JGB900SEF Stainless steel (not shown)
 • Stainless steel door



Certified Sabbath mode allows cooked foods to be kept warm on the Jewish Sabbath, in accordance with Kosher law.

Self-Clean: Dual-Fuel

These models include • Gas cooktop • **Electric convection oven** • The most dependable ranges you can buy! • TrueTemp™ system • Electronic controls • **Super-large 5.0 cu. ft. capacity self-clean oven** • Sealed burners • **Power Boil™ burner** • High Output burner • Precise Simmer burner • Continuous grates • **Dishwasher-safe grates** • **Sculptured handle** • Six embossed rack positions • Oven meat probe • Extra-large broiler pan with grid • Certified Sabbath mode • Audible preheat signal • Interior oven light • Electronic ignition

Note: bold = feature upgrade from previous model



Electric convection oven constantly circulates air throughout the oven to uniformly cook and brown food.



Power Boil™ burner delivers 15,000 BTUs for faster boiling.



Precise Simmer burner uses a low temperature setting of 140° for better simmering control.



Continuous grates provide a flat, sturdy surface, allowing easy movement of pans between burners.



GE Profile™
30" Free-Standing Dual-Fuel Range
with Warming Drawer

J2B915SEH Stainless steel

- QuickSet VI oven controls • **Electric Convection Bake**
- **Electric Convection Roast** • **Auto Recipe™ conversion**
- Stainless steel oven door with Big ClearView™ window
- Stainless steel insert included with warming drawer



GE Profile
30" Free-Standing Dual-Fuel Range
with Warming Drawer

J2B915BEH Black on black

- **QuickSet VI glass touch controls** • **Frameless glass oven door with Big ClearView window**



GE Profile
30" Free-Standing Dual-Fuel Range
with Warming Drawer

J2B915CEH Bisque on bisque

- **QuickSet VI glass touch controls** • **Frameless glass oven door with Big ClearView window**

J2B915WEH White on white (not shown)

Self-Clean: Sealed Burners

These models include • The most dependable ranges you can buy! • TrueTemp system • Electronic controls • Extra-large 4.8 cu. ft. capacity self-clean oven • Sealed burners • QuickSet V oven controls • Precise Simmer burner • Two High Output burners • Two oven racks • Six embossed rack positions • Continuous grate surface • One-piece upswept porcelain-enameled cooktop • In-oven broiling • Interior oven light • Electronic pilotless ignition • **Warming drawer** Note: bold = feature upgrade from previous model



TrueTemp system provides even heat distribution and maximum oven control.

ONLY GE HAS IT!



Largest* usable oven capacity has room enough for cooking an entire meal.



Sealed burner design helps contain spills from dripping beneath cooktop for easy cleanup.



The warming drawer helps keep foods and side dishes warm and ready to serve.



GE®
30" Free-Standing Commercial-Style Gas Range with Warming Drawer
JGBP90MEH Soft stainless
 • **Soft stainless oven door with Big ClearView window** • **Professional-style handle and control knobs** • Heavy-cast continuous grates with rubber feet



GE
30" Free-Standing Gas Range
JGBP85SEH Stainless Steel
 • **Stainless steel oven door with Big ClearView window** • Heavy-cast continuous grates with rubber feet
JGBP85BEH Black on black (not shown)



GE
30" Free-Standing Gas Range
JGBP85WEH White on white
 • **Frameless glass oven door with Big ClearView window** • Heavy-cast continuous grates with rubber feet
JGBP85CEH Bisque on bisque (not shown)

*Among leading manufacturers' brands.

Not all features available on all models.

Self-Clean: Sealed Burners

These models include • The most dependable ranges you can buy! • TrueTemp™ system • Electronic controls • Extra-large 4.8 cu. ft. capacity self-clean oven • Sealed burners • QuickSet IV oven controls • Precise Simmer burner • High Output burners • Six embossed rack positions • In-oven broiling • Interior oven light • Electronic pilotless ignition • One-piece upswept porcelain-enameled cooktop • One-piece drip pans • Certified Sabbath mode

Note: bold = feature upgrade from previous model



Continuous grates allow for easy movement of pans between burners.



TrueTemp system provides even heat distribution and maximum oven control.



Precise Simmer burner allows for low, even heat distribution for delicate foods and sauces.



High Output burners, with 12,000 BTUs, provide high output for fast heat-up and boiling.



GE® 30" Free-Standing Gas Range

JGBP80SEH Stainless Steel

- Stainless oven door with Big ClearView™ window
- Heavy-cast continuous grates with rubber feet
- Two oven racks

JGBP80BEH Black on black (not shown)



GE 30" Free-Standing Gas Range

JGBP80WEH White on white

- Frameless glass oven door with Big ClearView window
- **Heavy-cast continuous grates with rubber feet**
- Two oven racks

JGBP80CEH Bisque on bisque (not shown)



GE Showcase/Contract Sales Exclusive 30" Free-Standing Gas Range

JGBP33SEH Stainless steel

- Audible preheat signal
- **13,000 BTU High Output burner**
- Big ClearView window
- **Black medium-cast grates**
- Black porcelain-enameled drip pans
- **Three oven racks**

JGBP33WEH White on white (not shown)

JGBP33CEH Bisque on bisque (not shown)

JGBP33BEH Black on black (not shown)

These models include • The most dependable ranges you can buy! • Extra-large 4.8 cu. ft. capacity self-clean oven • Six embossed rack positions • QuickSet oven controls • **Sealed burners** • Electronic pilotless ignition • One-piece, upswept porcelain-enameled cooktop • Frameless glass oven door • Designer-style handle • In-oven broiling • Interior oven light • Storage drawer • Certified Sabbath mode

Note: bold = feature upgrade from previous model

ONLY GE HAS IT!



Largest* usable oven capacity has room enough for cooking an entire meal.



Six embossed rack positions increase cooking flexibility.



Sealed burner design helps contain spills from dripping beneath cooktop for easy cleanup.



Certified Sabbath mode allows cooked foods to be kept warm on the Jewish Sabbath, in accordance with Kosher law.



GE
30" Free-Standing Gas Range

JGBP30WEH White on white
 • TrueTemp system • Electronic controls • QuickSet IV oven controls • Audible preheat signal • Precise Simmer burner • High Output burner • Big ClearView window • Grey deluxe porcelain-steel square grates • Grey porcelain-enameled drip pans
JGBP30CEH Bisque on bisque (not shown)



GE
30" Free-Standing Gas Range

JGBP30BEH White or Bisque
 • TrueTemp system • Electronic controls • QuickSet IV oven controls • Audible preheat signal • Precise Simmer burner • High Output burner • Big ClearView window • Grey deluxe porcelain-steel square grates • Grey porcelain-enameled drip pans



GE
30" Free-Standing Gas Range

JGBP28BEH White or Bisque
 • QuickSet III oven controls • Audible preheat signal • Black standard porcelain-steel square grates
JGBP28SEH Stainless steel (not shown)
JGBP28WEH White on white (not shown)

*Among leading manufacturers' brands.

Self-Clean: Standard Burners

These models include • The most dependable ranges you can buy! • **Extra-large 4.8 cu. ft. capacity self-clean oven** • Six embossed rack positions • Electronic pilotless ignition • **QuickSet oven controls** • **Certified Sabbath mode** • Frameless glass oven door with designer-style handle • Lift-up cooktop • Standard porcelain-steel grates • One-piece, porcelain-enameled cooktop and subtop • In-oven broiling • Two oven racks • **Interior oven light** Note: bold = feature upgrade from previous model

ONLY GE HAS IT!



Largest* usable oven capacity has room enough for cooking an entire meal.



Six embossed rack positions increase cooking flexibility.



Certified Sabbath mode allows cooked foods to be kept warm on the Jewish Sabbath, in accordance with Kosher law.



GE®
30" Free-Standing Gas Range

JGBP26WEH White on white

- TrueTemp system • Electronic controls
- **QuickSet IV oven controls** • Audible preheat signal • Grey porcelain-enameled drip pans
- **Frameless white glass oven door with ClearView™ window** • Storage drawer

JGBP26CEH Bisque on bisque (not shown)



GE
30" Free-Standing Gas Range

JGBP24BEH White or Bisque

- **QuickSet III oven controls** • Audible preheat signal

*Among leading manufacturers' brands.

Not all features available on all models.

Standard-Clean: Sealed Burners

These models include • The most dependable ranges you can buy! • Extra-large 4.8 cu. ft. capacity oven • Six embossed rack positions
 • **Sealed burners** • Electronic pilotless ignition • Designer-style handle Note: bold = feature upgrade from previous model

ONLY GE HAS IT!



Largest* usable oven capacity has room enough for cooking an entire meal.



Sealed burner design helps contain spills from dripping beneath cooktop for easy cleanup.



A versatile griddle cooktop can cook and warm all types of foods.



Griddle can be removed to reveal a fifth center oval burner for added cooking flexibility.



GE
 30" Free-Standing Gas Range

- JGBS23WEH** White on white
- Frameless white glass oven door with Big ClearView window
 - **Precise Simmer burner**
 - **High Output burner**
 - **Grey porcelain-enameled drip pans**
 - Porcelain-steel square grates
 - One-piece, upswept porcelain-enameled cooktop
 - Interior oven light
 - Electronic clock and timer
 - Slide-out broiler drawer

- JGBS23SEH** Stainless steel (not shown)
JGBS23CEH Bisque on bisque (not shown)
JGBS23BEH Black on black (not shown)



GE
 30" Free-Standing Gas Range

- JGBS22BEH** White or Bisque
- Frameless black glass oven door with Big ClearView window
 - Porcelain-steel square grates
 - One-piece, upswept porcelain-enameled cooktop
 - Interior oven light
 - Electronic clock and timer
 - Slide-out broiler drawer



GE
 30" Free-Standing Gas Range

- JGBS10WEH** White on white
- Non-stick griddle
 - Fifth center oval burner
 - **Electronic clock**
 - Continuous wire burner grates
 - **Frameless white glass oven door with ClearView window**
 - **Drop-down broiler drawer**

- JGBS10CEH** Bisque on bisque (not shown)
JGBS10BEH Black on black (not shown)



GE
 30" Free-Standing Gas Range

- JGBS09PEH** White on white
- **Non-stick griddle**
 - **Fifth center oval burner**
 - Continuous wire burner grates
 - White porcelain-enameled oven door with ClearView window

Not all features available on all models.

Continuous- & Standard-Clean: Standard Burners

These models include • The most dependable ranges you can buy! • Extra-large 4.8 cu. ft. capacity oven • Six embossed rack positions • Electronic pilotless ignition • Lift-up cooktop • Square, standard porcelain-steel grates • Porcelain-enameled cooktop • Easy-clean porcelain-enameled subtop • Broiler drawer • Extra-large broiler pan with grid • Two oven racks

Note: bold = feature upgrade from previous model



GE®
30" Free-Standing Gas Range

JGBC20BEH White or Bisque
• Extra-large continuous-clean oven • Electronic clock and timer • Frameless glass oven door with ClearView window • Designer-style handle • One-piece upswept cooktop

JGBC20WEH White on white (not shown)

JGBC20CEH Bisque on bisque (not shown)

JGBS20BEH White or Bisque (not shown)

• Extra-large standard-clean oven

JGBS20WEH White on white (not shown)

• Extra-large standard-clean oven



GE
30" Free-Standing Gas Range

JGBS17PEH White or Bisque
• Extra-large standard-clean oven • Electronic clock and timer • Designer-style handle • One-piece upswept cooktop



GE
30" Free-Standing Gas Range

JGBS07PEH White on white
• Extra-large standard-clean oven • White porcelain-enameled oven door with window • Interior oven light



GE
30" Free-Standing Gas Range

JGBS04BEH White or Bisque
• Extra-large standard-clean oven • Black standard porcelain grates • Electronic ignition

JGBS04PPH White on white, white or bisque (not shown)
• Standing pilot ignition

30" Self-Clean Gas Ranges

	GE Profile™					GE®		
	Sealed Burner Models				Dual-Fuel Model	Sealed Burner Models		
	JGB920SEF JGB920TEF JGB920KEF JGB920BEF	JGB915SEF JGB915WEF JGB915CEF JGB915BEF	JGB905SEF JGB905WEF JGB905CEF JGB905BEF	JGB900SEF JGB900WEF JGB900CEF JGB900BEF	J2B915SEH J2B915WEH J2B915CEH J2B915BEH	JGBP90MEH	JGBP85SEH JGBP85WEH JGBP85CEH JGBP85BEH	JGBP80SEH JGBP80WEH JGBP80CEH JGBP80BEH
Capacity								
Oven capacity	Super-Large 5.0 cu. ft.	Super-Large 5.0 cu. ft.	Super-Large 5.0 cu. ft.	Super-Large 5.0 cu. ft.	Super-Large 5.0 cu. ft.	Extra-Large 4.8 cu. ft.	Extra-Large 4.8 cu. ft.	Extra-Large 4.8 cu. ft.
Features								
Oven cleaning	Self-Clean Black True white True bisque Black	Self-Clean	Self-Clean	Self-Clean	Self-Clean	Self-Clean	Self-Clean	Self-Clean
Gas on glass ceramic cooktop		●	●	●	●			
Deep recessed porcelain cooktop								
Cooktop burners	Sealed	Sealed	Sealed	Sealed	Sealed	Sealed	Sealed	Sealed
Power Boil™ burner (Nat.)	(1) 15,000 BTU/ 180° Simmer	(1) 15,000 BTU/ 180° Simmer	(1) 15,000 BTU/ 180° Simmer	(1) 15,000 BTU/ 180° Simmer	(1) 15,000 BTU/ 180° Simmer			
High Output burner (Nat.)	(1) 11,000 BTU/ 150° Simmer	(1) 11,000 BTU/ 150° Simmer	(1) 11,000 BTU/ 150° Simmer	(1) 11,000 BTU/ 150° Simmer	(1) 11,000 BTU/ 150° Simmer	(2) 12,000/ 1,000 BTU	(2) 12,000/ 1,000 BTU	(2) 12,000/ 1,000 BTU
Precise Simmer burner (Nat.)	(1) 5,000 BTU/ 140° Simmer	(1) 5,000 BTU/ 140° Simmer	(1) 5,000 BTU/ 140° Simmer	(1) 5,000 BTU/ 140° Simmer	(1) 5,000 BTU/ 140° Simmer	(1) 5,000/600 BTU	(1) 5,000/600 BTU	(1) 5,000/600 BTU
All-purpose burners (Nat.)	(1) 9,100 BTU/ 150° Simmer	(1) 9,100 BTU/ 150° Simmer	(1) 9,100 BTU/ 150° Simmer	(1) 9,100 BTU/ 150° Simmer	(1) 9,100 BTU/ 150° Simmer	(1) 9,500/850 BTU	(1) 9,500/850 BTU	(1) 9,500/850 BTU
Valves (degree of turn)	270	270	270	270	270	270	270	270
TrueTemp™ system	●	●	●	●	●	●	●	●
Electronic controls	●	●	●	●	●	●	●	●
Convection bake/roast	●	●	●	●	Electric	●	●	●
QuickSet oven controls	QuickSet VI glass touch†	QuickSet VI glass touch†	QuickSet V	QuickSet V	QuickSet VI glass touch†	QuickSet V	QuickSet V	QuickSet IV
Auto Self-Clean	●	●	●	●	●	●	●	●
Electronic oven control	●	●	●	●	●	●	●	●
Hi/Low broil	●	●	●	●	●	●	●	●
Electronic clock and timer	●	●	●	●	●	●	●	●
Automatic oven timer	●	●	●	●	●	●	●	●
Audible preheat signal	●	●	●	●	●	●	●	●
Oven meat probe	●	●	●	●	●	●	●	●
Auto oven shut-off	●	●	●	●	●	●	●	●
Certified Sabbath mode	●	●	●	●	●	●	●	●
Auto Recipe™ conversion	●	●	●	●	●	●	●	●
Control lock capability	●	●	●	●	●	●	●	●
One-piece upswept cooktop	Porc.-Enam.	Porc.-Enam.	Porc.-Enam.	Porc.-Enam.	Porc.-Enam.	Porc.-Enam.	Porc.-Enam.	Porc.-Enam.
Porcelain-enameled one-piece drip pans						Black	Black Grey Taupe Black	Black Grey Taupe Black
Removable grates	Matte Black Hvy.-Cast Grey Hvy.-Cast Taupe Hvy.-Cast Black Hvy.-Cast	Matte Black Hvy.-Cast Grey Hvy.-Cast Taupe Hvy.-Cast Black Hvy.-Cast	Matte Black Hvy.-Cast Grey Hvy.-Cast Taupe Hvy.-Cast Black Hvy.-Cast	Matte Black Hvy.-Cast Grey Hvy.-Cast Taupe Hvy.-Cast Black Hvy.-Cast	Matte Black Hvy.-Cast Grey Hvy.-Cast Taupe Hvy.-Cast Black Hvy.-Cast	Matte Black Hvy.-Cast	Black Hvy.-Cast Grey Hvy.-Cast Taupe Hvy.-Cast Black Hvy.-Cast	Black Hvy.-Cast Grey Hvy.-Cast Taupe Hvy.-Cast Black Hvy.-Cast
Continuous grates	Dishwasher-safe	Dishwasher-safe	Dishwasher-safe	Dishwasher-safe	Dishwasher-safe	●	●	●
Ignition system	Electronic	Electronic	Electronic	Electronic	Electronic	Electronic	Electronic	Electronic
Oven racks	3	3	2	2	3	2	2	2
Six embossed rack positions	●	●	●	●	●	●	●	●
Broiler pan	●	●	●	●	●	●	●	●
Scratch-resistant backguard	Stainless steel Glass	Stainless steel Glass	Stainless steel Porc.-Enam.	Stainless steel Porc.-Enam.	Stainless steel Glass	Soft Stainless	Stainless steel Porc.-Enam.	Stainless steel Porc.-Enam.
Interior oven light	●	●	●	●	●	●	●	●
Warming drawer	450 Watt	450 Watt	450 Watt	450 Watt	450 Watt	450 Watt	450 Watt	450 Watt
Electronic control	●	●	●	●	Knob	●	●	●
Temp. settings	(low, med, high)	(low, med, high)	(low, med, high)	(low, med, high)	Infinite	150° - 220° F	150° - 220° F	150° - 220° F
Stainless steel insert	●	●	●	●	●	●	●	●
In-oven broiling	●	●	●	●	●	●	●	●
Appearance								
Color appearance*	SS/WW/CC/BB	SS/WW/CC/BB	SS/WW/CC/BB	SS/WW/CC/BB	SS/WW/CC/BB	BC	SS/WW/CC/BB	SS/WW/CC/BB
Frameless oven door	Stainless steel White Glass Bisque Glass Black Glass	Stainless steel White Glass Bisque Glass Black Glass	Stainless steel White Glass Bisque Glass Black Glass	Stainless steel White Glass Bisque Glass Black Glass	Stainless steel White Glass Bisque Glass Black Glass	Soft Stainless	Stainless steel White Glass Bisque Glass Black Glass	Stainless steel White Glass Bisque Glass Black Glass
Oven door with window	Big ClearView™	Big ClearView	Big ClearView	Big ClearView	Big ClearView	Big ClearView	Big ClearView	Big ClearView
Oven door handle	Sculptured	Sculptured	Sculptured	Sculptured	Sculptured	Professional-Style	Designer-style	Designer-style
Weights & Dimensions								
Overall oven interior dimensions (WxHxD in inches)	24 x 19 x 19	24 x 19 x 19	24 x 19 x 19	24 x 19 x 19	24 x 19 x 19	24 x 18.5 x 19	24 x 18.5 x 19	24 x 18.5 x 19
Approx. shipping weight (lbs.)	250 SS 245 WW/CC/BB	235 SS 230 WW/CC/BB	235 SS 230 WW/CC/BB	220 SS 215 WW/CC/BB	235 SS 230 WW/CC/BB	230	220	210
Power/Ratings								
Top burners (000's BTU's) Nat/LP	(1) 15.0/11.0 (1) 11.0/9.1 (1) 5.0/5.0 (1) 9.1/9.1	(1) 15.0/11.0 (1) 11.0/9.1 (1) 5.0/5.0 (1) 9.1/9.1	(1) 15.0/11.0 (1) 11.0/9.1 (1) 5.0/5.0 (1) 9.1/9.1	(1) 15.0/11.0 (1) 11.0/9.1 (1) 5.0/5.0 (1) 9.1/9.1	(1) 15.0/11.0 (1) 11.0/9.1 (1) 5.0/5.0 (1) 9.1/9.1		(2) 12.0/11.0 (1) 5.0/5.0 (1) 9.5/9.5	
Oven/broiler burners (000's BTU's) Nat/LP	← 16.0/16.0 Oven 13.5/12.0 Broil →						← 16.0/16.0 Oven 12.5/12.0 Broil →	
Dual fuel range electrical rating						208/240V, 60Hz, 40A		
Gas range electrical rating	← 120V, 60Hz, 5A →						← 120V, 60Hz, 9A →	← 120V, 60Hz, 5A →
LP conversion kit (included)	●	●	●	●	●	●	●	●

*SS = Stainless steel with black accents, BC = Soft stainless with black accents, WW = White with white glass door, CC = Bisque with bisque glass door, BB = Black with black glass door.
Factory set for Natural Gas. A set of LP orifices is included with each range for LP conversion.

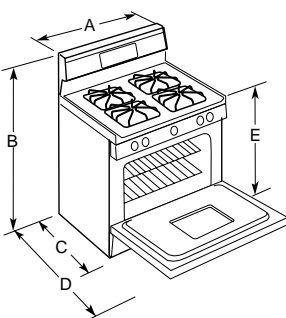
† = Stainless steel models feature traditional QuickSet controls.

30" Self-Clean Gas Ranges

	GE®				
	Sealed Burner Models			Standard Burner Models	
	JGBP33SEH JGBP33WEH JGBP33CEH JGBP33BEH	JGBP30WEH JGBP30CEH JGBP30BEH	JGBP28SEH JGBP28WEH JGBP28BEH	JGBP26WEH JGBP26CEH	JGBP24BEH
Capacity	Extra-large 4.8 cu. ft. oven				
Features					
Oven cleaning	Self-Clean	Self-Clean	Self-Clean	Self-Clean	Self-Clean
Cooktop burners	Sealed	Sealed	Sealed	Standard/Twin	Standard/Twin
High Output burner (Nat.)	(1) 13,000/ 1,000 BTU	(1) 12,000/ 1,000 BTU			
Precise Simmer burner (Nat.)	(1) 5,000/600 BTU	(1) 5,000/600 BTU			
All-purpose burners (Nat.)	(2) 9,500/850 BTU	(2) 9,500/850 BTU	(4) 9,500/850 BTU	(4) 9,100/850 BTU	(4) 9,100/850 BTU
Valves (degree of turn)	270	270	140	270	270
TrueTemp system	•	•		•	
Electronic controls	•	•		•	
QuickSet oven controls	QuickSet IV	QuickSet IV	QuickSet III	QuickSet IV	QuickSet III
Auto Self-Clean	•	•	•	•	•
Electronic clock and timer	•	•	•	•	•
Automatic oven timer	•	•	•	•	•
Audible preheat signal	•	•	•	•	•
Auto oven shut-off	•	•	•	•	•
Certified Sabbath mode	•	•	•	•	•
One-piece upswept cooktop	Porc.-Enam.	Porc.-Enam.	Porc.-Enam.	Porc.-Enam.	Porc.-Enam.
Lift-up cooktop				•	•
Easy-clean subtop				Porc.-Enam.	Porc.-Enam.
Porcelain-enameled one-piece drip pans	Black Grey Taupe Black	Grey Taupe Black	Opt. Access.	Chrome Chrome	Opt. Access.
Removable square grates	Black Medium-Cast Grey Medium-Cast Taupe Medium-Cast Black Medium-Cast	Grey Deluxe Porc.-Steel Taupe Deluxe Porc.-Steel	Black Std. Porc.-Steel Grey Std. Porc.-Steel Black Std. Porc.-Steel	Grey Std. Porc.-Steel Taupe Std. Porc.-Steel	Black Std. Porc.-Steel
Ignition system	Electronic	Electronic	Electronic	Electronic	Electronic
Oven racks	3	2	2	2	2
Six embossed rack positions	•	•	•	•	•
Broiler pan	•	•	•	•	•
Scratch-resistant backguard	Porc.-Enam.	Porc.-Enam.	Porc.-Enam.	Porc.-Enam.	Porc.-Enam.
Interior oven light	•	•	•	•	•
Storage drawer	•	•	•	•	•
In-oven broiling	•	•	•	•	•
Appearance					
Color appearance*	SS WW CC BB	WW CC WH/CT	SS WW WH/CT	WW CC	WH/CT
Frameless oven door	Stainless steel White Glass Bisque Glass Black Glass	White Glass Bisque Glass Black Glass	Stainless steel White Glass Bisque Glass Black Glass	White Glass Bisque Glass	Solid Black Glass
Oven door with window	Big ClearView	Big ClearView	ClearView	ClearView	
Designer-style handle	•	•	•	•	•
Weights & Dimensions					
Overall oven interior dimensions (WxHxD in inches)	← 24 x 18.5 x 19 →				
Approx. shipping weight (lbs.)	210	210	210	200	200
Power/Ratings					
Top burners (000's BTU's) Nat/LP	(1) 13.0/11.0 (1) 5.0/5.0 (2) 9.5/9.5	(1) 12.0/11.0 (1) 5.0/5.0 (2) 9.5/9.5	(4) 9.5/9.5	← (4) 9.1/8.0 →	
Oven/broiler burners (000's BTU's) Nat/LP	← 16.0/16.0 Oven 12.5/12.0 Broil →				
Gas range electrical rating	← 120V, 60Hz, 5A →				
LP conversion kit (included)	•	•	•	•	•

*SS = Stainless steel with black accents, WW = White with white glass door, CC = Bisque with bisque glass door, BB = Black with black glass door, WH = White with black glass door, CT = Bisque with black glass door.
Factory set for Natural Gas. A set of LP orifices is included with each range for LP conversion.

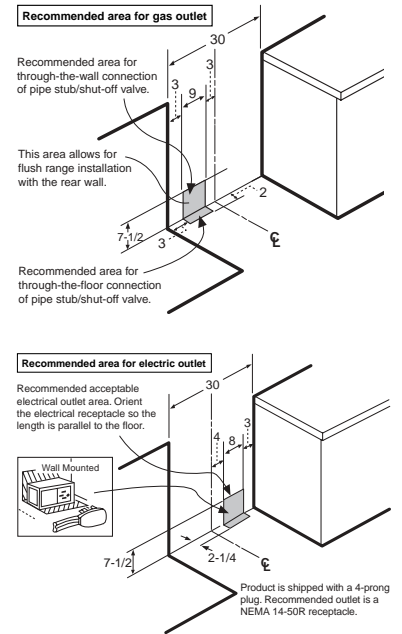
Dimensions (in inches)



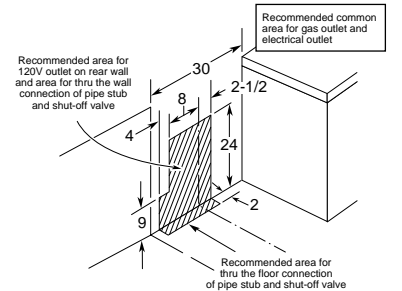
Model	A	B	C*	D	E
J2B915	30	47-3/4	26-1/4	46-3/8	36 ± 1/4
JGB920	30	47-3/4	26-1/4	46-3/8	36 ± 1/4
JGB915	30	47-3/4	26-1/4	46-3/8	36 ± 1/4
JGB905	30	47-3/4	26-1/4	46-3/8	36 ± 1/4
JGB900	30	47-3/4	26-1/4	46-3/8	36 ± 1/4
JGBP90	30	46-7/8	26-1/4	46-3/8	36 ± 1/4
JGBP85	30	46-7/8	26-1/4	46-3/8	36 ± 1/4
JGBP80	30	46-7/8	26-1/4	46-3/8	36 ± 1/4
JGBP33	30	46-7/8	26-1/4	46-3/8	36 ± 1/4
JGBP30	30	46-7/8	26-1/4	46-3/8	36 ± 1/4
JGBP28	30	46-7/8	26-1/4	46-3/8	36 ± 1/4
JGBP26	30	46-7/8	26-1/4	46-3/8	36 ± 1/4
JGBP24	30	46-7/8	26-1/4	46-3/8	36 ± 1/4

*Dimension from wall to front of closed door handle is 29" on models J2B915, JGB920/915/905/900, JGBP85/80 and 28-1/4" on models JGBP90/33/30/28/26/24. Depth to front edge of cooktop—25-1/4".

Installation Information Dimensions (in inches) Model J2B915



Installation Information Dimensions (in inches) All models except J2B915



Optional Gas Range Accessory Drip Pans For Sealed and Standard Burner Models (Available at additional cost) To order these accessory drip pans, call toll-free 800-626-2002.

Installation Information: Before installing, consult installation instructions packed with product for current dimensional data.



All GE ranges are equipped with an Anti-Tip device. The installation of this device is an important, required step in the installation of the range.

Gas Self-Clean Range Anti-Tip Bracket (Part No. 205C1714P001)
J2B915, JGB920/915/905/900/85/80/33/30/28/26/24

30" Continuous- & Standard-Clean Gas Ranges

GE									
Sealed Burner Models					Standard Burner Models				
	JGBS23SEH JGBS23WEH JGBS23CEH JGBS23BEH	JGBS22BEH	JGBS10WEH JGBS10CEH JGBS10BEH	JGBS09PEH	JGBC20WEH JGBC20CEH JGBC20BEH	JGBS20WEH JGBS20BEH	JGBS17PEH	JGBS07PEH	JGBS04BEH JGBS04PPH
Capacity									
Extra-large 4.8 cu. ft. oven	•	•	•	•	•	•	•	•	•
Features									
Oven cleaning	Standard-Clean	Standard-Clean	Standard-Clean	Standard-Clean	Cont.-Clean	Standard-Clean	Standard-Clean	Standard-Clean	Standard-Clean
Cooktop burners	Sealed	Sealed	Sealed	Sealed	Std./Twin	Std./Twin	Std./Twin	Std./Twin	Std./Twin
High Output burner (Nat.)	(1) 12,000/ 1,000 BTU								
Precise Simmer burner (Nat.)	(1) 5,000/600 BTU								
All-purpose burners (Nat.)	(2) 9,500/850 BTU	(4) 9,500/850 BTU	(1) 8,000/850 BTU (3) 7,000/850 BTU	(1) 8,000/850 BTU (3) 7,000/850 BTU	(4) 9,100/850 BTU	(4) 9,100/850 BTU	(4) 9,100/850 BTU	(4) 9,100/850 BTU	(4) 9,100/850 BTU
Center oval burner			(1) 6,000/850 BTU	(1) 6,000/850 BTU					
Valves (degree of turn)	270	140	270	270	140	140	140	140	140
Electronic clock and timer	•	•	Clock only		•	•	•		
Porcelain-enameled cooktop	One-Piece Upswept	One-Piece Upswept	•	•	One-Piece Upswept	One-Piece Upswept	One-Piece Upswept	•	•
Lift-up cooktop					•	•	•	•	•
Easy-clean porcelain-enameled subtop					•	•	•	•	•
One-piece drip pans	Black Grey Taupe Black	Opt. Access.			Opt. Access.	Opt. Access.	Opt. Access.	Opt. Access.	Opt. Access.
Removable square grates	Deluxe Porcelain-Steel	Black Standard Porcelain-Steel	Continuous Wire	Continuous Wire	Grey Standard Taupe Standard Black Standard Porcelain-Steel	Grey Standard Black Standard Porcelain-Steel	Black Standard	Grey Standard Porcelain-Steel	Black Standard Porcelain-Steel
Griddle			Non-stick	Non-stick					
Ignition system	Electronic	Electronic	Electronic	Electronic	Electronic	Electronic	Electronic	Electronic	Electronic Pilot†
Oven racks	2	2	2	1	2	2	2	2	2
Six embossed rack positions	•	•	•	•	•	•	•	•	•
Broiler pan	•	•	•		•	•	•	•	•
Porcelain-enameled backguard	•	•	Glass	•	•	•	•	•	•
Interior oven light	•	•	•	•	•	•	•	•	•
Broiler drawer	Slide-out	Slide-out	Drop-down		Slide-out	Slide-out	Slide-out	Slide-out	Slide-out
Appearance									
Color appearance*	SS WW CC BB	WH/CT	WW CC BB	WW	WW CC WH/CT	WW WH/CT	WH/CT	WW	WH/CT WW/WH/CT
Frameless oven door	Stainless steel White Glass Bisque Glass Black Glass	Black Glass	White Glass Bisque Glass Black Glass	White Porc-Enam.	White Glass Bisque Glass Black Glass	White Glass Black Glass	CM* Porcelain- Enameled	White Porcelain- Enameled	CM* Porcelain- Enameled
Oven door with window	Big ClearView	Big ClearView	ClearView	ClearView	ClearView	ClearView	ClearView	ClearView	ClearView
Designer-style handle	•	•	•	•	•	•	•	Visor	Chrome Visor
Weights & Dimensions									
Overall oven interior dimensions (WxHxD in inches)	← 24 x 18.5 x 19 →								
Approx. shipping weight (lbs.)	180	170	160	160	175	175	175	165	165
Power/Ratings									
Top burners (000's BTU's) Nat/LP	(1) 12.0/11.0 (1) 5.0/5.0 (2) 9.5/9.5	(4) 9.5/9.5	(1) 8.0/8.0 BTU (3) 7.0/7.0 BTU (1) 6.0/6.0 BTU	(1) 8.0/8.0 BTU (3) 7.0/7.0 BTU (1) 6.0/6.0 BTU	← (4) 9.1/8.0 →				
Oven/broiler burners (000's BTU's) Nat/LP	← 18.0/16.5 →								
Gas range electrical rating**	← 120V, 60Hz, 5A →								
LP conversion kit (included)	•	•	•	•	•	•	•	•	•

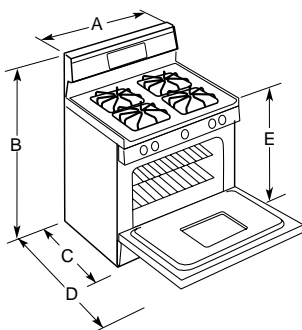
*SS = Stainless steel with black accents, WW = White with white door, CC = Bisque with bisque door, BB = Black with black door, WH = White with black door, CT = Bisque with black door, CM = Color-Matched indicates color of oven door matches cooktop (either white or bisque).

**Electrical rating not applicable to standing pilot models.

†JGBS04PPH has a standing pilot ignition.

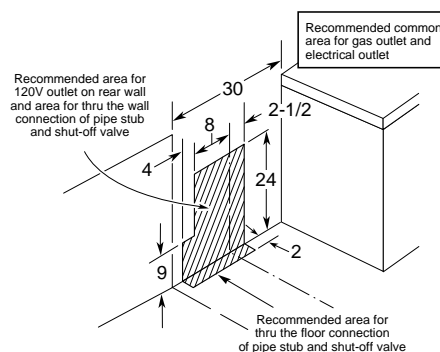
Factory set for Natural Gas. A set of LP orifices is included with each range for LP conversion.

Installation Information Dimensions (in inches)



Model	A	B	C*	D	E
JGBS23	30	46-7/8	26-1/4	46-3/8	36 ± 1/4
JGBS22	30	46-7/8	26-1/4	46-3/8	36 ± 1/4
JGBS10	30	45	25-5/16	46-1/4	36 ± 1/4
JGBS09	30	45	25-5/16	46-1/4	36 ± 1/4
JGBC20	30	46-7/8	26-1/4	46-3/8	36 ± 1/4
JGBS20	30	46-7/8	26-1/4	46-3/8	36 ± 1/4
JGBS17	30	46-7/8	26-1/4	46-1/4	36 ± 1/4
JGBS07	30	46-7/8	26-1/4	46-1/4	36 ± 1/4
JGBS04	30	46-7/8	25-5/16	46-1/4	36 ± 1/4

*Dimension from wall to front of closed door handle is 29".
On models JGBS04 the dimension is 27-7/16".
25-1/4"—Depth to front top edge of cooktop.



Gas Self-Clean Range Anti-Tip Bracket
(Part No. 205C1714P001) JGBS23/22/20/17/10/09/07/04, JGBC20



All GE ranges are equipped with an Anti-Tip device. The installation of this device is an important, required step in the installation of the range.

Answers that click!
GE puts everything you need at your fingertips.



GE Appliances web site — 16 million visitors a year!
Visit us at GEAppliances.com

Everything you need to know about GE products is here. Access up-to-date information, find out “what’s new,” obtain dimensions, get installation tips and more. Extremely user-friendly, this one-stop site lets you research by brand, category or model number and even buy online through a local GE dealer.

GE Answer Center® saves you time.
800.626.2000

This 24-hour-a-day, 7-day-a-week service provides answers on product features, installation, service and more.



A Century of Quality and Innovation

For more than a century, GE has been committed to producing innovative products that change the way people live. The result of thorough research and rigorous testing, GE appliances are designed for years of dependable performance. Today, the GE tradition of quality and innovation continues.



GE Appliances

GE Consumer Products
General Electric Company
Louisville, Kentucky 40225
GEAppliances.com

GE has a policy of continuous improvement of its products and reserves the right to change materials and specifications without notice.

© 2003 General Electric Company
Pub. No. 3-S133 PC35332