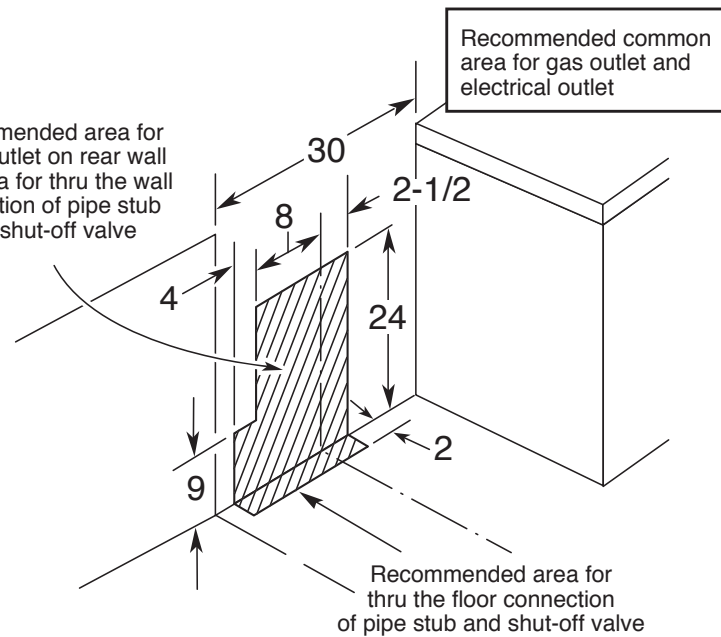
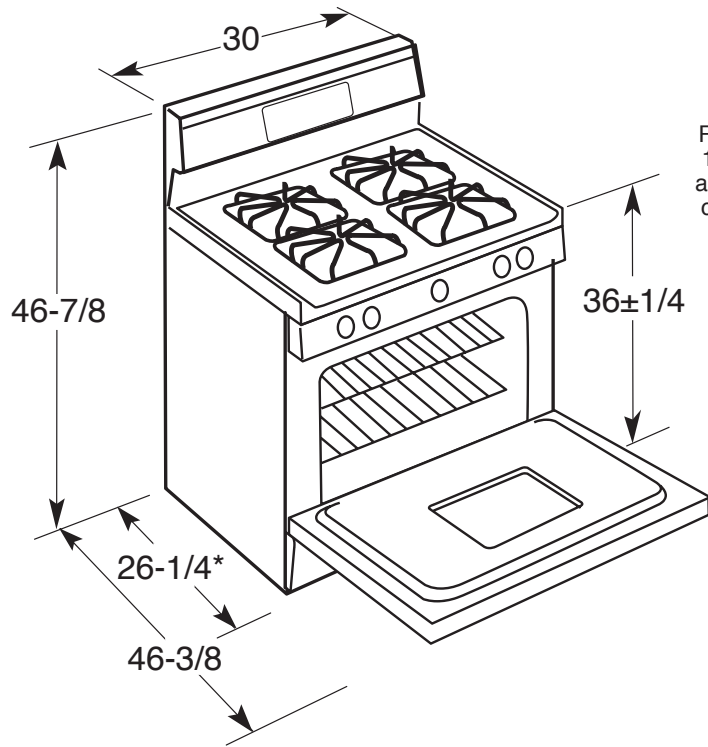




GE Appliances

JGBP28WEJ/BEJ/EEJ – GE® 30" Free-Standing Self-Clean Gas Range

Installation Information Dimensions (in inches)



Optional Gas Range Accessory Drip Pans for Sealed and Standard Burner Models
 (Available at additional cost)
 To order these accessory drip pans, call toll-free 800-626-2002.

Gas Self-Clean Range Anti-Tip Bracket (Part No. 205C1714P001)

Electrical Rating: 120V, 60Hz, 5A

Installation Information: Before installing, consult installation instructions packed with product for current dimensional data.

*Dimension from wall to front of closed door handle is 28-1/4"
 Depth to front edge of cooktop – 25-1/4"



All GE ranges are equipped with an Anti-Tip device. The installation of this device is an important, required step in the installation of the range.

For answers to your Monogram®, GE Profile™ or GE® appliance questions, visit our website at GEAppliances.com or call GE Answer Center® service, 800.626.2000.

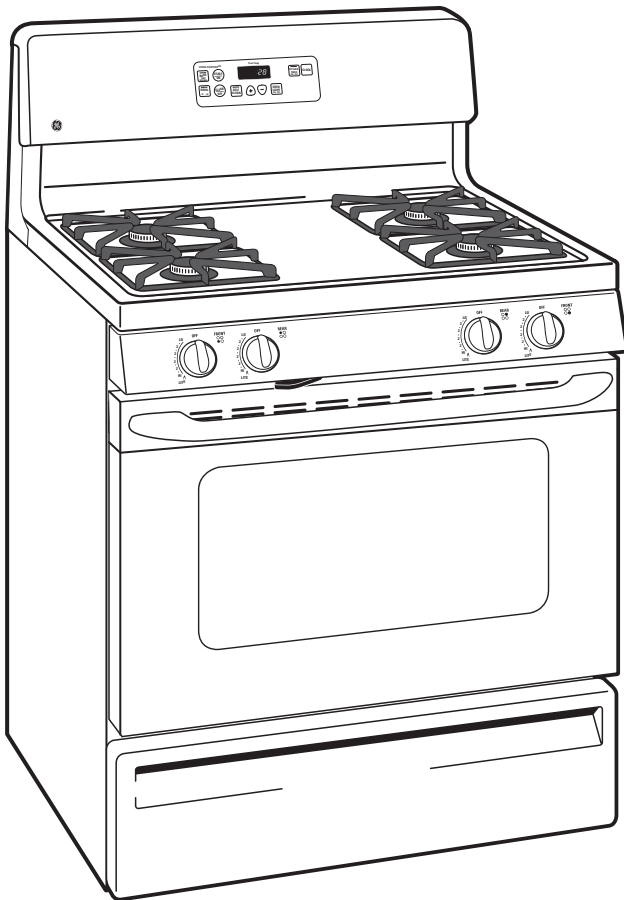
Specification Created 6/04

330425



GE Appliances

JGBP28WEJ/BEJ/EEJ – GE® 30" Free-Standing Self-Clean Gas Range



Features and Benefits

- Self clean oven – Conveniently cleans the oven cavity without the need of scrubbing
- Extra-large oven capacity – Provides a large oven interior ideal for cooking more items at once
- TrueTemp™ system – Delivers even heat distribution and maximum oven control
- QuickSet III oven controls – Feature an easy to use design that allows you to set precise cooking temperatures
- All purpose burners – Delivers a wide range of heat output ideal for most cooking requirements
- Sealed cooktop burners – Eliminates the space between the burners and the cooktop to help contain spills and boil over liquids, ensuring easy cleanup
- Standard grates – Provide a sturdy and convenient cookware surface for everyday cooking
- Frameless glass oven door – Offers an easy-to-clean and stylish design that blends seamlessly into existing cabinetry
- Big ClearView™ window – An extra large clear window makes monitoring the progress of food easy
- Two oven racks – Features a durable construction to help accommodate any size or type of cookware
- Model JGBP28SEJSS – Stainless steel (stainless door and control panel and black cooktop)
- Model JGBP28WEJWW – White on white (white door and white cooktop)
- Model JGBP28BEJWH – White (black door and white cooktop)
- Model JGBP28BEJCT – Bisque (black door and bisque cooktop)
- Model JGBP28EEJBB – Black (black door and black cooktop)