

# JGBP32SEN

## GE® 30" Free-Standing Gas Range

### Dimensions and Installation Information (in inches)

#### Optional Gas Range Accessory Drip Pans for Sealed and Standard Burner Models (Available at additional cost)

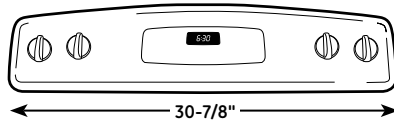
To order these accessory drip pans, call toll-free 800-848-7722

#### Optional Gas Range Wok Accessory (Available at additional cost)

JXWK—Wok accessory sits on top of burner grate to hold a round-bottom wok.

**Electrical Rating:** 120V, 60Hz, 5A

**Installation Information:** Before installing, consult installation instructions packed with product for current dimensional data.

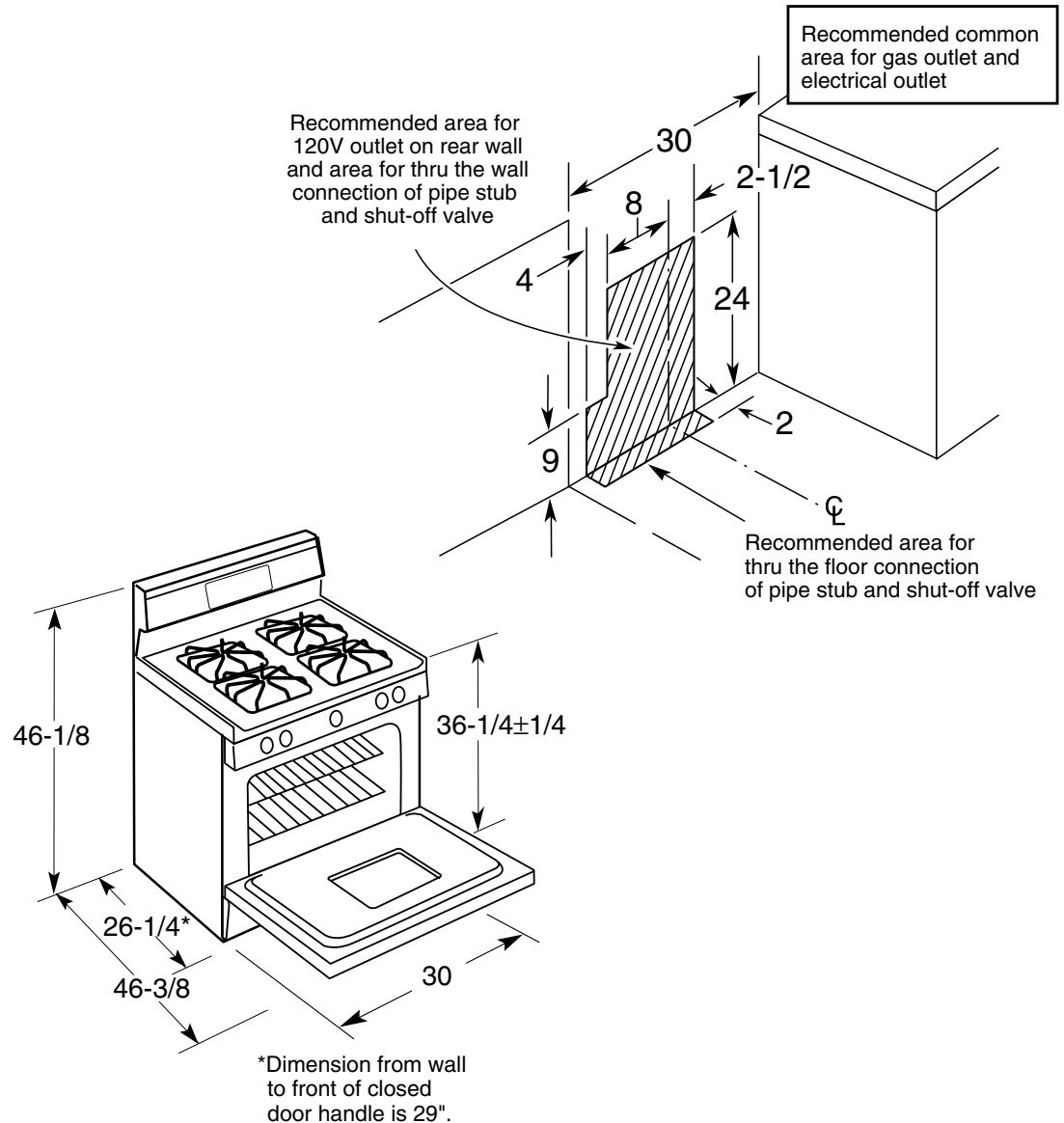


All 30" GE gas and electric range backguards are 30-7/8" wide.\*

**Note:** 30" ranges conform to U.L. requirements for 0" spacing from adjacent walls below countertops. To reduce possible scorching of walls, engineering recommends a minimum of 1-1/2" spacing to allow for possible extended, high heat, no-load heating element operation.

\*Except these models: JGBS07, JGBS04, JGBP90, all GE Profile free-standing electric and gas ranges  
Fits most countertop backsplash applications. Consult Use & Care Manual for detailed installation instructions.

For answers to your Monogram®, GE Profile™ or GE® appliance questions, visit our website at [ge.com](http://ge.com) or call GE Answer Center® service, 800.626.2000.



# JGBP32SEN

## GE® 30" Free-Standing Gas Range

### Features and Benefits

- Self-Clean Oven - Conveniently cleans the oven cavity without need of scrubbing
- Extra-Large Oven Capacity - Provides a large oven interior ideal for cooking more items at once
- TrueTemp™ System - Delivers even heat distribution and maximum oven control
- Medium Cast Grates - Constructed from a durable cast iron material for long-lasting performance and reliability
- Continuous Grates - Provide a flat, sturdy surface allowing easy movement of pans between burners
- All Purpose Burners - Deliver a wide range of heat output ideal for most cooking requirements
- Precise Simmer Burner - Delivers a low setting of 140 degrees, ideal for delicate foods and sauces
- Sealed Cooktop Burners - Eliminate the space between the burners and the cooktop to help contain spills and boil over liquids, ensuring easy cleanup
- QuickSet III Oven Controls - Feature an easy to use design that lets you set precise cooking temperatures
- Big Hearth Window - Features an enhanced shape to add an elegant appearance and make viewing trouble-free
- Model JGBP32SENS - Stainless steel

