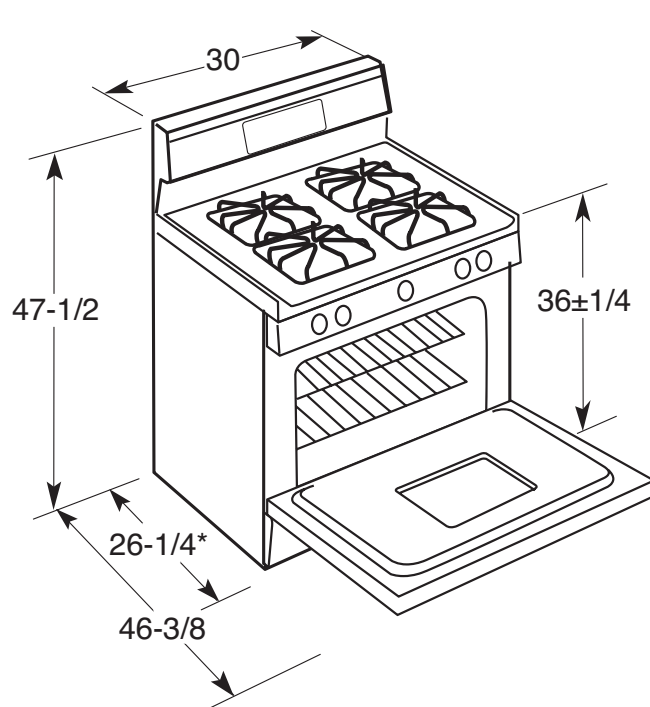




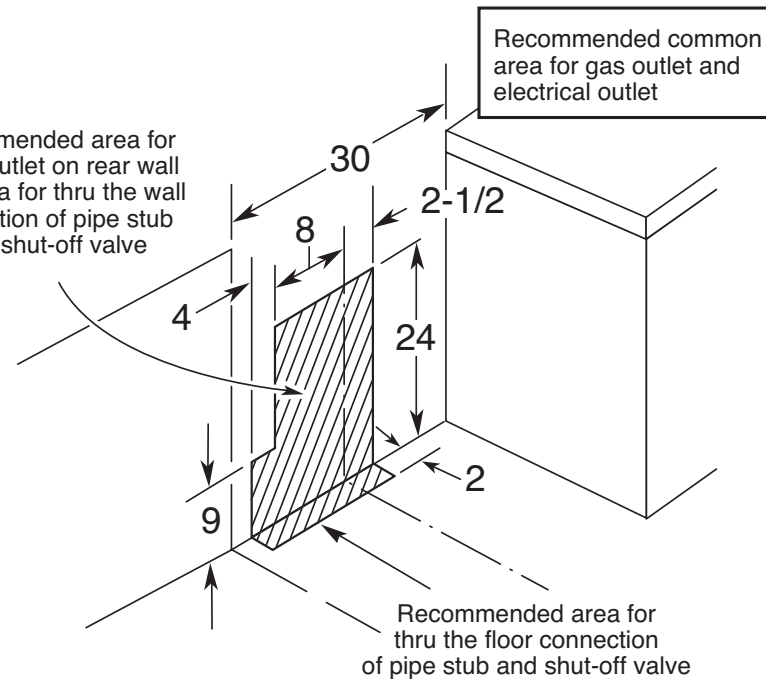
GE Appliances

JGBP36SEJ – GE® 30" Free-Standing Self-Clean Gas Range

Installation Information Dimensions



Recommended area for 120V outlet on rear wall and area for thru the wall connection of pipe stub and shut-off valve



Optional Gas Range Accessory Drip Pans for Sealed and Standard Burner Models

(Available at additional cost)
To order these accessory drip pans, call toll-free 800-626-2002.

Gas Self-Clean Range Anti-Tip Bracket (Part No. 205C1714P001)

Electrical Rating: 120V, 60Hz, 5A

Installation Information: Before installing, consult installation instructions packed with product for current dimensional data.

*Dimension from wall to front of closed door handle is 29".

Depth to front edge of cooktop – 25-1/4".



All GE ranges are equipped with an Anti-Tip device. The installation of this device is an important, required step in the installation of the range.

For answers to your Monogram®, GE Profile™ or GE® appliance questions, visit our website at GEAppliances.com or call GE Answer Center® service, 800.626.2000.

Specification Created 6/04

330578



GE Appliances

JGBP36SEJ – GE® 30" Free-Standing Self-Clean Gas Range



Features and Benefits

- Self clean oven – Conveniently cleans the oven cavity without the need of scrubbing
- Extra-large oven capacity – Provides a large oven interior ideal for cooking more items at once
- Deep recessed cooktop – Designed with a recessed surface to help contain spills and make cleaning easy
- TrueTemp™ system – Delivers even heat distribution and maximum oven control
- QuickSet IV oven controls – Feature an easy to use design that allows you to set precise cooking temperatures
- 15K Power boil burner – Provides 15,000 BTUs of forceful heat for rapid boiling
- Precise simmer burner – Offers a low setting of 600 BTUs, ensuring more temperature control for simmering
- High output burner – Provides a powerful burner output for efficient heat-up and boiling
- All purpose burners – Delivers a wide range of heat output ideal for most cooking requirements
- Continuous grates – Interlocking grates provide a flat, sturdy surface allowing easy movement of pans between burners
- Sealed cooktop burners – Eliminates the space between the burners and the cooktop to help contain spills and boil over liquids, ensuring easy cleanup
- Model JGBP36SEJSS – Stainless steel with black accents
- Model JGBP36WEJWW – White on white (white door and white cooktop)
- Model JGBP36CEJCC – Bisque on bisque (bisque door and bisque cooktop)
- Model JGBP36BEJBB – Black on black (black door and black cooktop)