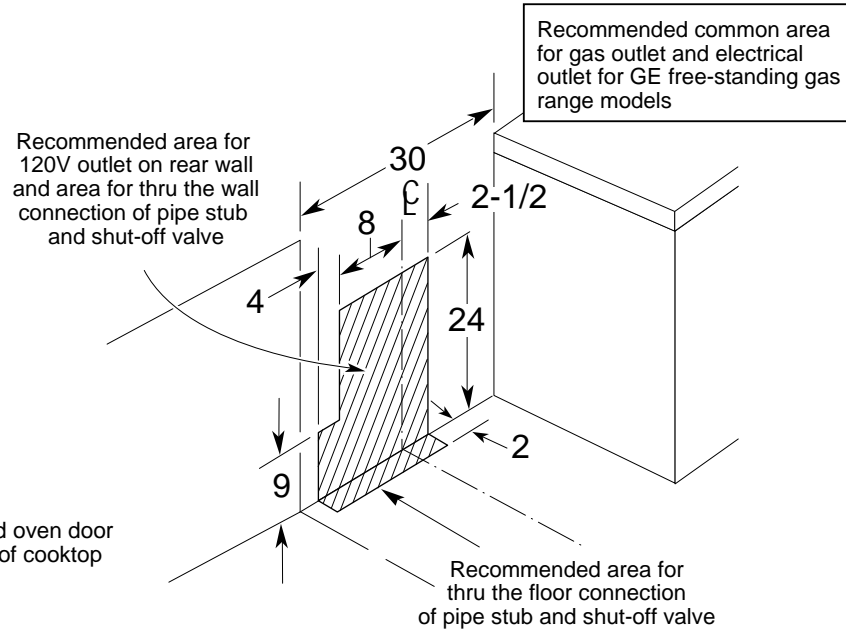
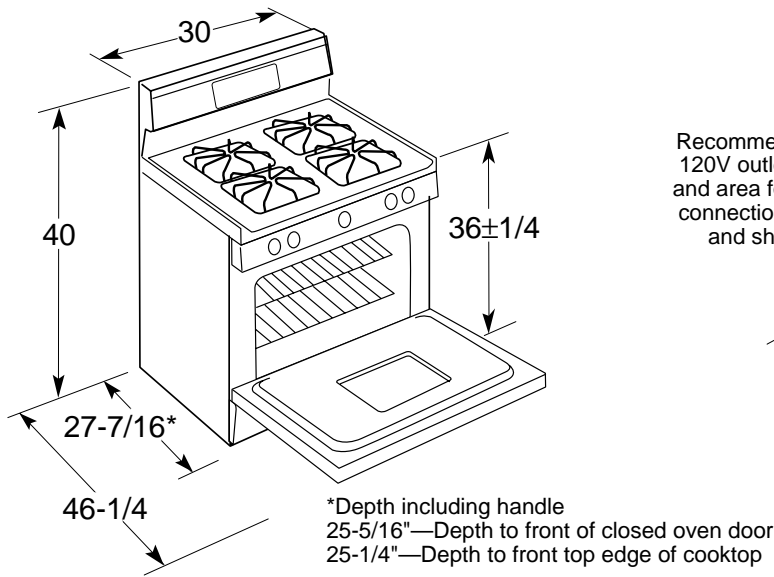




GE Appliances

JGBS03PPAAD—30" Free-Standing XL44™ Gas Range

Dimensions (in inches) and Installation Information



Optional Gas Range Accessory Drip Pans for Sealed and Standard Burner Models
(Available at additional cost)
To order these accessory drip pans, call toll-free 800-848-7722.

Electrical Rating: 120V, 60Hz, 5A

Installation Information: Before installing, consult installation instructions packed with product for current dimensional data.

For answers to your Monogram,®GE Profile Performance Series,™ GE Profile,™ and GE appliance questions, call GE Answer Center® service, 800.626.2000.



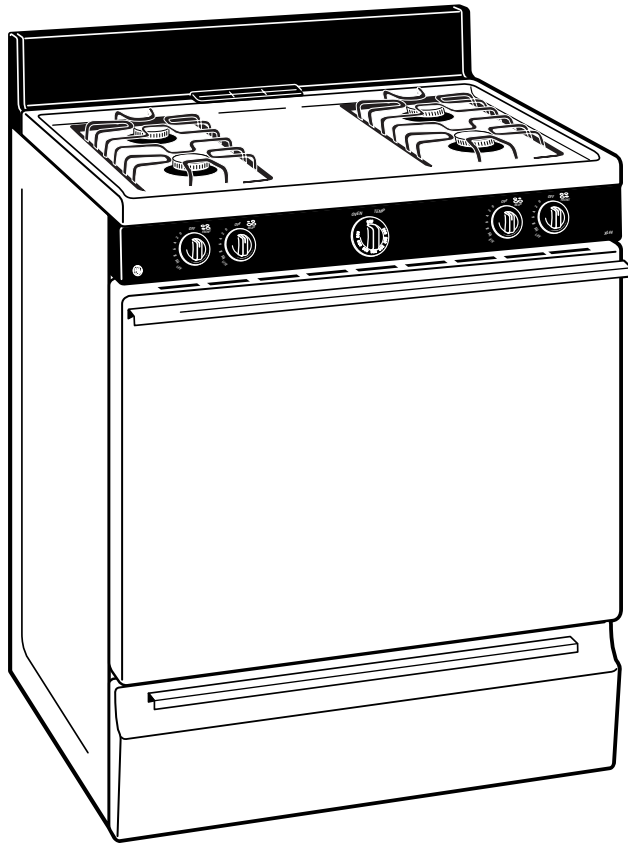
All GE ranges are equipped with an Anti-Tip device. The installation of this device is an important, required step in the installation of the range.





GE Appliances

JGBS03PPAAD—30" Free-Standing XL44™ Gas Range



Features and Benefits

- Porcelain-Enameled Lift-Up Cooktop
- Standard/Twin Cooktop Burners
- One-Piece Wire Square Grates
- Standing Pilot Ignition
- Extra-Large 4.4 cu. ft. Standard Clean Oven
- Drop Down Broiler Drawer
- Extra-Large Broiler Pan with Grid
- 2 Oven Racks / 6 Embossed Rack Positions
- Easy-Clean Porcelain-Enameled Subtop
- Solid Color-Matched Porcelain-Enameled Oven Door
- Chrome Visor-Style Handle
- Porcelain-Enameled Scratch-Resistant Backguard
- Optional Accessory One-Piece Drip Pans Available at Additional Cost
- Is not Equipped with Flamespreader in Broiler Compartment
- Model JGBS03PPAWH—White
- Model JGBS03PPAAD—Almond