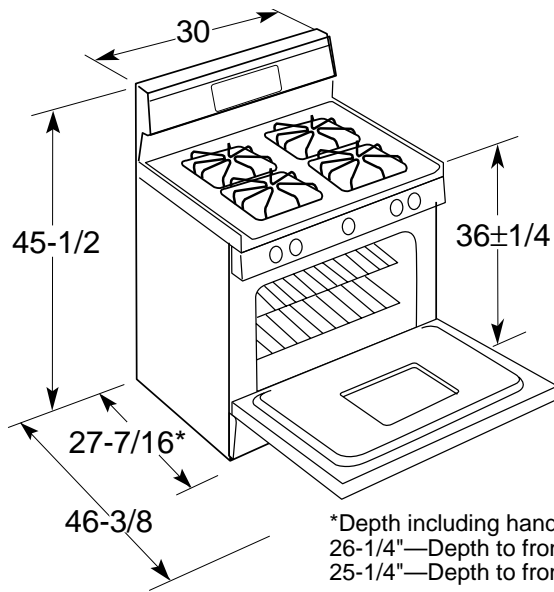




GE Appliances

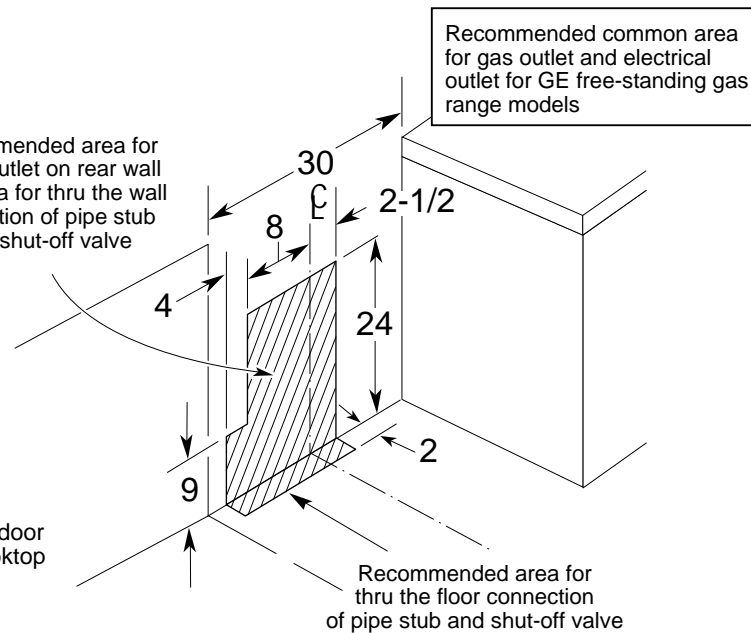
JGBS04BPAWH—30" Free-Standing XL44™ Gas Range

Dimensions (in inches) and Installation Information



*Depth including handle
 26-1/4"—Depth to front of closed oven door
 25-1/4"—Depth to front top edge of cooktop

Recommended area for
 120V outlet on rear wall
 and area for thru the wall
 connection of pipe stub
 and shut-off valve



**Optional Gas Range
 Accessory Drip Pans for Sealed
 and Standard Burner Models**

(Available at additional cost)
 To order these accessory drip pans,
 call toll-free 800-848-7722.

Electrical Rating: 120V, 60Hz, 5A

Installation Information: Before
 installing, consult installation
 instructions packed with product
 for current dimensional data.

For answers to your Monogram®, GE Profile
 Performance Series™, GE Profile™, and
 GE appliance questions, call
 GE Answer Center® service, 800.626.2000.



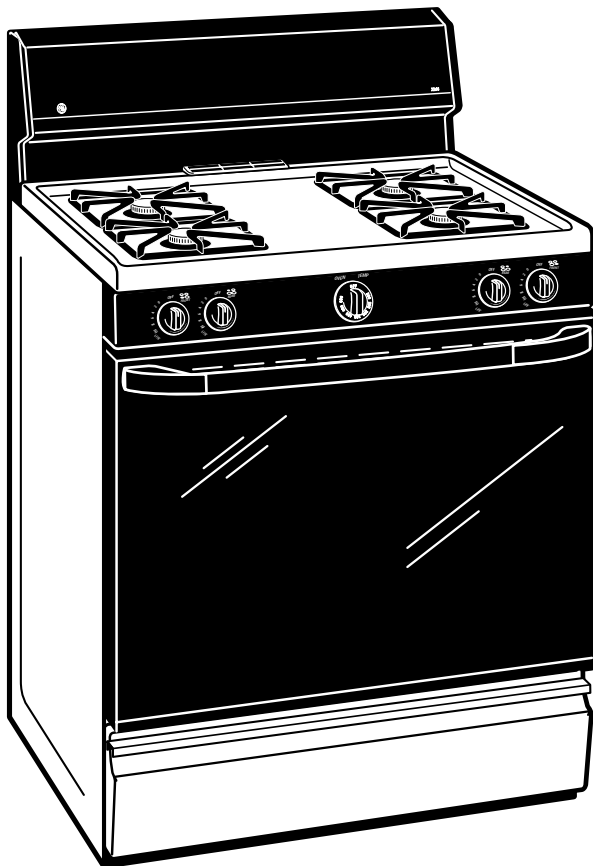
All GE ranges are equipped with
 an Anti-Tip device. The installation
 of this device is an important,
 required step in the installation
 of the range.





GE Appliances

JGBS04BPAWH—30" Free-Standing XL44™ Gas Range



Features and Benefits

- Porcelain-Enameled Lift-Up Cooktop
- Standard/Twin Cooktop Burners
- Black Standard Porcelain-Steel Square Grates
- Standing Pilot Ignition System
- Extra-Large 4.4 cu. ft. Standard Clean Oven
- Slide Out Broiler Drawer
- Extra-Large Broiler Pan with Grid
- 2 Oven Racks / 6 Embossed Rack Positions
- Easy-Clean Porcelain-Enameled Subtop
- Removable Black Frameless-Glass Oven Door
- Designer-Style Handle
- Porcelain-Enameled Scratch-Resistant Backguard
- Optional Accessory One-Piece Drip Pans Available at Additional Cost
- Also Available with Electric Pilotless Ignition as Model JGBS04BEA
- Model JGBS04BPAWH—White
- Model JGBS04BPAAD—Almond