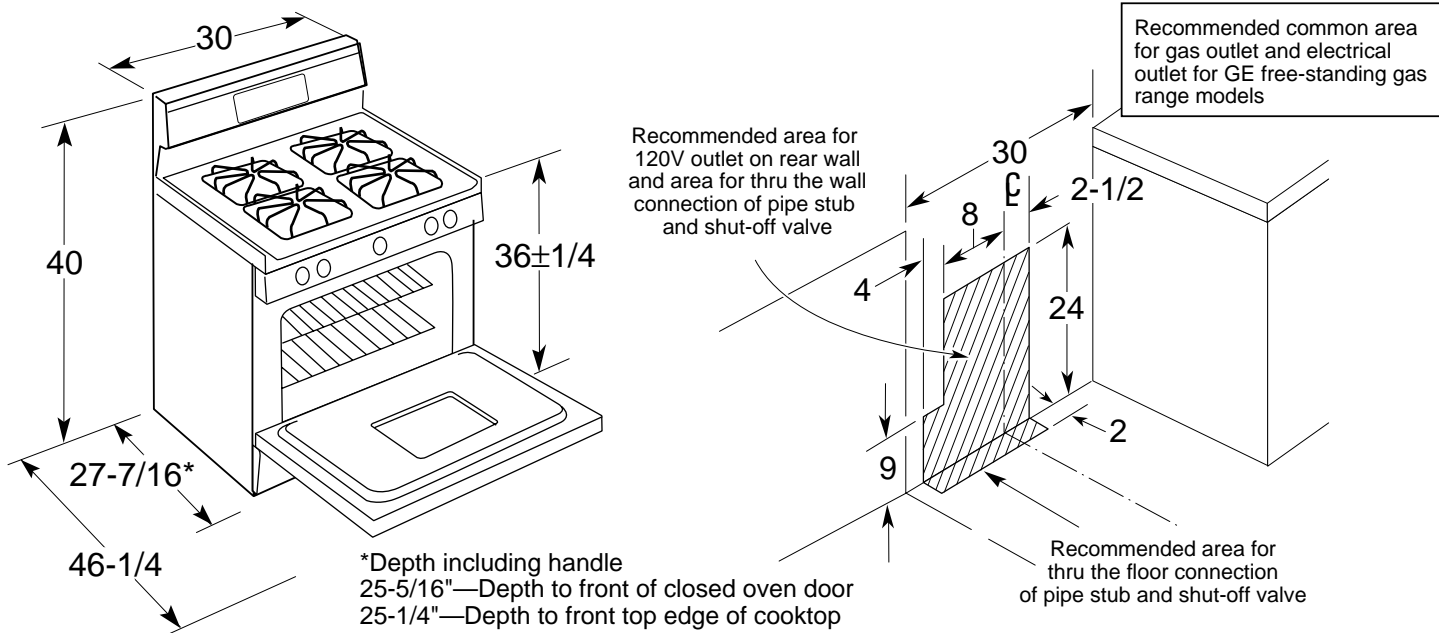




GE Appliances

JGBS04BPACT – GE 30" Free-Standing XL44™ Gas Range

Dimensions (in inches) and Installation Information



Optional Gas Range Accessory Drip Pans for Sealed and Standard Burner Models
 (Available at additional cost)
 To order these accessory drip pans, call toll-free 800-848-7722.

Electrical Rating: 120V, 60Hz, 5A

Installation Information: Before installing, consult installation instructions packed with product for current dimensional data.

Specification Created 4/02



All GE ranges are equipped with an Anti-Tip device. The installation of this device is an important, required step in the installation of the range.

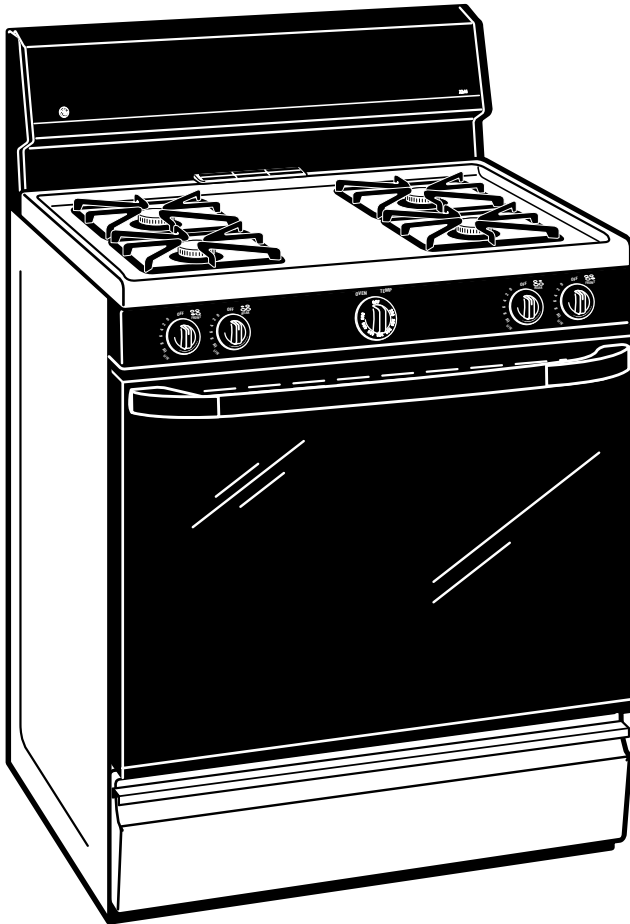


For answers to your Monogram® GE Profile™ or GE appliance questions, visit our website at GEAppliance.com or call GE Answer Center® service, 800.626.2000.



GE Appliances

JGBS04BPACT – GE 30" Free-Standing XL44™ Gas Range



Features and Benefits

- Porcelain-Enameled Lift-Up Cooktop
- Standard/Twin Cooktop Burners
- Black Standard Porcelain-Steel Square Grates
- Standing Pilot Ignition System
- Extra-Large 4.4 cu. ft. Standard Clean Oven
- Slide Out Broiler Drawer
- Extra-Large Broiler Pan with Grid
- 2 Oven Racks/6 Embossed Rack Positions
- Easy-Clean Porcelain-Enameled Subtop
- Removable Black Frameless-Glass Oven Door
- Designer-Style Handle
- Porcelain-Enameled Scratch-Resistant Backguard
- Optional Accessory One-Piece Drip Pans Available at Additional Cost
- Also Available with Electric Pilotless Ignition as Model JGBS04BEA
- Model JGBS04BPAWH – White
- Model JGBS04BPACT – Bisque