

GE Profile™ and *GE®* Free-Standing Gas Ranges

maximum output burners • generous capacity • **2002 specifications** • sleek design • sealed gas burners • precise



precise simmer burner • even baking and roasting • smooth control panel • convection cooking • true temp™ system

The maximum in cooking performance and versatility.



We bring good things to life.

No matter what's on the menu, GE gas ranges are sure to delight.

GE Profile gas ranges give you the room and power

you need to create inspired meals. These ranges

feature a large-capacity oven, so every dish, every

cookie sheet and every Thanksgiving turkey is an

easy fit. They also include convenient warming

options and convection capability. And you'll be

pleased to know that you can enjoy the superior

performance of gas, as

well as easy cleanup.

Designed with a smooth surface

and continuous cast-iron grates,

GE gas ranges offer

tremendous flexibility.



Convection gas and dual-fuel ranges—GE's first!

These ranges utilize an innovative, convection system that works in conjunction with our TrueTemp™ system to deliver delicious baking and roasting results.



Smooth cooktop

This revolutionary cooktop eliminates the burner bowls and drip pans typically found on traditional gas ranges. Instead, the burners are sealed onto the cooktop, making cleanup a breeze.



Warming options

A warming zone and warming drawer save you the trouble of carefully orchestrating meals.

These convenient options let you keep just about any dish warm and ready to enjoy.



Warming drawer

The warming drawer lets you prepare side dishes at your own pace. Conveniently located under the oven, this drawer keeps food warm until serving.



Not all features available on all models.



Self-Clean: Dual-Fuel

These models include • Gas cooktop • **Electric convection oven** • The most dependable ranges you can buy! • TrueTemp™ system • Warming drawer • Electronic controls • Extra-large self-clean oven • Electronic clock and automatic oven timer • Sealed burners • Precise Simmer burner • Two Maximum Output burners • Three oven racks • Six embossed rack positions • In-oven broiling • Extra-large broiler pan with grid • Interior oven light • Electronic pilotless ignition • Certified Sabbath mode **Note: bold = feature upgrade from previous model**



Electric convection oven constantly circulates air throughout the oven to uniformly cook and brown food.



Maximum Output burners, with 12,000 BTUs, provide maximum output for fast heat-up and boiling.



Precise Simmer burner, with 600 BTUs, allows for low, even heat distribution for delicate foods and sauces.



Sealed burner design helps contain spills from dripping beneath cooktop for easy clean-up.



GE Profile™ 30" Free-Standing Spectra Dual-Fuel Range with Warming Drawer

J2B900SEF Stainless steel

- QuickSet V glass touch oven controls with digipad entry; convection conversion; auto oven shut-off with override; start pad; delay clean option and self-clean cool down time display • Automatic self-clean lock
- **Electric Convection Bake • Electric Convection Roast** • Stainless steel oven door with Big View window • Sure Grip handle • Designer-style control knobs • One-piece upswept porcelain-enameled cooktop • One-piece drip pans • Oven meat probe
- Stainless steel insert included with warming drawer



GE Profile 30" Free-Standing Spectra Dual-Fuel Range with Warming Drawer

J2B900BEF Black on black

- Frameless glass oven door with Big View window



GE Profile 30" Free-Standing Spectra Dual-Fuel Range with Warming Drawer

J2B900WEF White on white

- Frameless glass oven door with Big View window
- J2B900CEF** Bisque on bisque (not shown)

Self-Clean: Sealed Burners

These models include • The most dependable ranges you can buy! • TrueTemp system • Warming drawer • Electronic controls • Extra-large self-clean oven • Electronic clock and automatic oven timer • Sealed burners • Precise Simmer burner • Two Maximum Output burners • Three oven racks • Six embossed rack positions • In-oven broiling • Extra-large broiler pan with grid • Interior oven light • Electronic pilotless ignition

Note: bold = feature upgrade from previous model

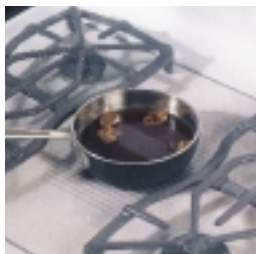


Gas convection ovens—GE's first.

ONLY GE HAS IT!



TrueTemp system provides even heat distribution and maximum oven control.



The warming zone is a great way to keep food warm and ready to enjoy.



The revolutionary smooth cooktop—changing the way you cook with gas.

Not all features available on all models.



GE Profile

30" Free-Standing Spectra Convection Gas Range with Warming Drawer

JGB920KEC True bisque
 • Smooth ceramic-glass cooktop with warming zone • Warming zone hot light • Scratch-resistant glass backguard • QuickSet V glass touch oven controls with digipad entry; convection conversion; auto oven shut-off with override; start pad; delay clean option and self-clean cool down time display • Automatic self-clean lock • Two-speed convection oven • Convection Bake • Convection Roast • Frameless glass oven door with Big View window • Sure Grip handle • Designer-style control knobs • Oven meat probe • Certified Sabbath mode • Dishwasher-safe grates • Stainless steel insert included with warming drawer

JGB920SEC Stainless steel (not shown)

JGB920TEC True white (not shown)

JGB920BEC Black on black (not shown)



GE Profile

30" Free-Standing Spectra Convection Gas Range with Warming Drawer

JGB910BEC Black on black
 • QuickSet V glass touch oven controls with digipad entry; convection conversion; auto oven shut-off with override; start pad; delay clean option and self-clean cool down time display • Automatic self-clean lock • Two-speed convection oven • Convection Bake • Convection Roast • Frameless glass oven door with Big View window • Sure Grip handle • Designer-style control knobs • One-piece upswept porcelain-enameled cooktop • One-piece drip pans • Oven meat probe • Certified Sabbath mode • Stainless steel insert included with warming drawer

JGB910SEC Stainless steel (not shown)

JGB910WEC White on white (not shown)

JGB910CEC Bisque on bisque (not shown)



GE Profile

30" Free-Standing Spectra Commercial-Style Gas Range with Warming Drawer

JGBP90MEB Soft stainless
 • QuickSet V oven controls with digipad entry; auto oven shut-off with override; start pad; delay clean option and self-clean cool down time display • Automatic self-clean lock • Soft stainless oven door with Big View window • Professional-style handle and control knobs • One-piece upswept porcelain-enameled cooktop • Professional cooktop grates with rubber feet • Continuous grate surface • One-piece drip pans

Self-Clean: Sealed Burners

These models include • The most dependable ranges you can buy! • TrueTemp™ system • **Warming drawer** • Electronic controls • Extra-large self-clean oven • Electronic clock and automatic oven timer • Sealed burners • **Precise Simmer burner** • **Two Maximum Output burners** • **Three oven racks** • Six embossed rack positions • In-oven broiling • Extra-large broiler pan with grid • Interior oven light • Electronic pilotless ignition

Note: bold = feature upgrade from previous model

ONLY GE HAS IT!



TrueTemp system provides even heat distribution and maximum oven control.



Sealed burner design helps contain spills from dripping beneath cooktop for easy clean-up.



Precise Simmer burner, with 600 BTUs, allows for low, even heat distribution for delicate foods and sauces.



Maximum Output burners, with 12,000 BTUs, provide maximum output for fast heat-up and boiling.

Not all features available on all models.



GE Profile™
30" Free-Standing Spectra Gas Range with Warming Drawer

JGBP86WEB White on white
 • Scratch-resistant glass backguard
 • QuickSet V oven controls with digipad entry; auto oven shut-off with override; start pad; delay clean option and self-clean cool down time display • Automatic self-clean lock
 • Fluorescent cooktop light • Frameless glass oven door with Big View window
 • Sure Grip handle • Designer-style control knobs • One-piece upswept porcelain-enameled cooktop • **Professional extra-large cast-iron grates** • **Continuous grate surface**
 • One-piece drip pans

JGBP86CEB Bisque on bisque (not shown)

JGBP86BEB Black on black (not shown)



GE Profile
30" Free-Standing Spectra Gas Range with Warming Drawer

JGBP85BEB Black on black
 • Scratch-resistant glass backguard • **QuickSet V oven controls with digipad entry; auto oven shut-off with override; start pad; delay clean option and self-clean cool down time display** • **Automatic self-clean lock**
 • Fluorescent cooktop light • Frameless glass oven door with Big View window • Sure Grip handle
 • Designer-style control knobs • One-piece upswept porcelain-enameled cooktop • Square heavy-cast grates with rubber feet • One-piece drip pans

JGBP85WEB White on white (not shown)

JGBP85CEB Bisque on bisque (not shown)



GE Profile
30" Free-Standing Spectra Gas Range with Warming Drawer

JGBP79MEF Soft stainless
 • QuickSet IV oven controls with digital temperature display; auto oven shut-off with override; start pad; delay clean option; self-clean cool down time display and control lock capability • Scratch-resistant porcelain-enameled backguard • Stainless oven door with Big View window • **Sure Grip handle** • Designer-style control knobs • One-piece upswept porcelain-enameled cooktop • **Square heavy-cast grates with rubber feet** • One-piece drip pans

JGBP79CEB Bisque on bisque (not shown)

JGBP79WEB White on white (not shown)

JGBP79BEB Black on black (not shown)

Self-Clean: Sealed Burners

These models include • The most dependable ranges you can buy! • Extra-large self-clean oven • Six embossed rack positions • QuickSet oven controls • **Sealed burners** • Electronic pilotless ignition • One-piece, upswept porcelain-enameled cooktop • Frameless glass oven door • Designer-style handle • In-oven broiling • Extra-large broiler pan • Interior oven light

Note: bold = feature upgrade from previous model



GE®
30" Free-Standing Spectra™ Gas Range
JGBP35WEA White on white
 • TrueTemp™ system • Electronic controls
 • **QuickSet IV oven controls with digital temperature display**; auto oven shut-off with override; **start pad**; **delay clean option**; **self-clean cool down time display**; **and control lock capability** • **Hi/Low broil** • Precise Simmer burner • Maximum Output burner • Big View window • Storage drawer • **Grey medium-cast square grates** • Grey porcelain-enameled drip pans
JGBP35CEA Bisque on bisque (not shown)
JGBP35BEA Black on black (not shown)



GE
30" Free-Standing Spectra Gas Range
JGBP32WEF White on white
 • TrueTemp system • Electronic controls
 • **QuickSet III oven controls with digital temperature display**; auto oven shut-off and audible preheat signal • Certified Sabbath mode • Precise Simmer burner • **13,000 BTU Maximum Output burner** • Big View window • Storage drawer • **Grey medium-cast porcelain-steel square grates** • Grey porcelain-enameled drip pans
JGBP32SEF Stainless steel (not shown)
JGBP32CEF Bisque on bisque (not shown)



GE
30" Free-Standing Spectra Gas Range
JGBP30WEA White on white
 • **TrueTemp system** • **Electronic controls**
 • **QuickSet III oven controls with digital temperature display**; **auto oven shut-off and audible preheat signal** • Certified Sabbath mode • **Precise Simmer burner** • **Maximum Output burner** • **Big View window** • Storage drawer • **Grey deluxe porcelain-steel square grates** • **Grey porcelain-enameled drip pans**
JGBP30CEA Bisque on bisque (not shown)
JGBP30BEA White or Bisque (not shown)



GE
30" Free-Standing Spectra Gas Range
JGBP28BEA White or Bisque
 • **QuickSet II oven controls with digital temperature display**; auto oven shut-off and audible preheat signal • Certified Sabbath mode • Storage drawer • **Black standard porcelain-steel square grates**
JGBP28WEA White on white (not shown)

Self-Clean: Standard Burners

- These models include** • The most dependable ranges you can buy! • Extra-large self-clean oven • Six embossed rack positions
- Electronic pilotless ignition • **QuickSet oven controls** • **Certified Sabbath mode** • Frameless glass oven door with designer-style handle
 - Lift-up cooktop • Square, standard porcelain-steel grates • One-piece, porcelain-enameled cooktop and subtop • In-oven broiling
 - Extra-large broiler pan with grid • Two oven racks • **Interior oven light**

Note: bold = feature upgrade from previous model



ONLY GE HAS IT!

Largest* usable oven capacity has room enough for cooking an entire meal.



Six embossed rack positions increase cooking flexibility.



GE®
30" Free-Standing Gas Range

- JGBP26WEA** White on white
- TrueTemp system • Electronic controls
 - QuickSet III oven controls with digital temperature display; delay bake option; auto oven shut-off and audible preheat signal • Grey porcelain-enameled drip pans • **Frameless white glass oven door with window** • Storage drawer
- JGBP26CEA** Bisque on bisque (not shown)



- GE
30" Free-Standing Gas Range
- JGBP26BEA** White or Bisque
- TrueTemp system • Electronic controls
 - **QuickSet III oven controls with digital temperature display; delay bake option; auto oven shut-off and audible preheat signal**
 - **Black porcelain-enameled drip pans**
 - **Frameless black glass oven door with window** • Storage drawer



- GE
30" Free-Standing Gas Range
- JGBP24BEA** White or Bisque
- QuickSet II oven controls with digital temperature display; auto oven shut-off and audible preheat signal

Standard-Clean: Sealed Burners

These models include • The most dependable ranges you can buy! • Extra-large standard-clean oven • Six embossed rack positions
 • **Sealed burners** • Electronic pilotless ignition • Designer-style handle Note: bold = feature upgrade from previous model



ONLY GE HAS IT!

Largest* usable oven capacity has room enough for cooking an entire meal.



Sealed burner design helps contain spills from dripping beneath cooktop for easy cleanup.



GE
30" Free-Standing Gas Range

JGBS23WEA White on white
 • **Frameless white glass oven door with Big View window** • Designer-style handle • **Precise Simmer burner** • **Maximum Output burner** • **Grey porcelain-enameled drip pans** • Porcelain-steel square grates
 • One-piece, upswept porcelain-enameled cooktop
 • Interior oven light • Electronic clock and timer
 • Slide-out broiler drawer • Extra-large broiler pan with grid

JGBS23CEA Bisque on bisque (not shown)

JGBS23DEF Black on black (not shown)

JGBS23BEA White or Bisque (not shown)



GE
30" Free-Standing Gas Range

JGBS22BEA White or Bisque
 • **Frameless black glass oven door with window**
 • Designer-style handle • Porcelain-steel square grates
 • One-piece, upswept porcelain-enameled cooktop
 • Interior oven light • Electronic clock and timer
 • Slide-out broiler drawer • Extra-large broiler pan with grid



GE
30" Free-Standing Gas Range

JGBS10WEF White on white
 • **Non-stick griddle** • **Fifth center oval burner**
 • **Electronic clock** • Continuous wire grates
 • **Frameless white glass oven door with window**
 • **Drop-down broiler drawer** • **Extra-large broiler pan with grid**

JGBS10CEF Bisque on bisque (not shown)

JGBS10BEF Black on black (not shown)



GE
30" Free-Standing Gas Range

JGBS09PEF White on white
 • **Non-stick griddle** • **Fifth center oval burner**
 • Continuous wire grates • White porcelain-enameled oven door with window

*Among leading manufacturers' brands.
 Not all features available on all models.

Continuous- & Standard-Clean: Standard Burners

These models include • The most dependable ranges you can buy! • Six embossed rack positions • Electronic pilotless ignition • Lift-up cooktop • Square, standard porcelain-steel grates • Porcelain-enameled cooktop • Easy-clean porcelain-enameled subtop • Slide-out broiler drawer • Extra-large broiler pan with grid • Two oven racks • Interior oven light

Note: bold = feature upgrade from previous model



GE®
30" Free-Standing Gas Range

JGBC20BEA White or Bisque
• Extra-large continuous-clean oven
• Electronic clock and timer • **Frameless black glass oven door with window**
• Designer-style handle • One-piece upswept cooktop

JGBC20WEA White on white (not shown)

JGBS20BEA White or Almond (not shown)
• Extra-large standard-clean oven

JGBS20WEA White on white (not shown)
• Extra-large standard-clean oven



GE
30" Free-Standing Gas Range

JGBS17PEA White or Bisque
• **Extra-large standard-clean oven**
• **Electronic clock and timer** • White porcelain-enameled oven door with window • **Designer-style handle**
• **One-piece upswept cooktop**



GE
30" Free-Standing Gas Range

JGBS07PEA White on white
• Extra-large standard-clean oven
• **White porcelain-enameled oven door with designer-style handle** • **Standard window** • **Interior oven light**



GE
30" Free-Standing Gas Range

JGBS04BEA White or Bisque
• **Frameless solid black glass oven door**
• **Designer-style handle** • **Extra-large standard-clean oven** • **Black standard porcelain grates**

JGBS04BPA White or Bisque (not shown)
• Standing pilot ignition

JGBS04PEA White or Bisque (not shown)
• Solid porcelain-enameled oven door with chrome visor handle

JGBS04PPA White or Bisque (not shown)
• Standing pilot ignition



GE
30" Free-Standing Gas Range

JGBS03PPA White or Almond
• Solid porcelain-enameled oven door
• **Chrome visor handle** • **Standing pilot ignition** • **Drop-down broiler drawer**

High-Performance, Performance, Deluxe and Standard Hoods

Note: bold = feature upgrade from previous model



GE Profile™ High-Performance Hood

JV666C Stainless steel
 • 36" width • Three-speed fan control plus boost • Two halogen cooktop lights (50 watts each) • Night light setting • Vertical or rear exhaust (350/400-CFM) • 3-1/4" x 10" rectangular duct (convertible to 7" round duct)

JV665C White on white or Black on black (not shown)



GE Profile High-Performance Hood

JV635C White on white (shown) or Black on black
 • 30" width • Three-speed fan control plus boost • Two halogen cooktop lights (50 watts each) • Night light setting • **Vertical or rear exhaust (350/400-CFM)** • 3-1/4" x 10" rectangular duct (convertible to 7" round duct)

JV636C Stainless steel (not shown)



GE Profile Performance Hoods

JV565C White on white (shown), Bisque on bisque or Black on black
 • 36" width • **Two-speed fan control** • **200-CFM (max.)** • **Two halogen cooktop lights (50 watts each)** • Convertible exhaust options (7" round, rectangular or non-vented) • Rectangular damper included

JV566C Stainless steel (not shown)

JV535C White on white, Bisque on bisque, or Black on black (not shown)
 • 30" width

JV536C Stainless steel (not shown)

JXDA23 round damper accessory, available at additional cost (Models JV666/665/636/635/566/565/536/535).



GE Deluxe Hood

JV347X White on white (shown), Bisque on bisque, Almond on almond or Black on black

• 30" width • **Rotary control** • **Three-speed fan**
 • **Cooktop light with night light setting** • **Light cover**
 • **Convertible exhaust (shipped in non-vented configuration, convertible to 7" or rectangular exhaust)** • Rectangular damper included



GE Standard Hoods

JV327X White (shown), Bisque or Almond
 • 30" width • 7" round duct • Easy-to-use rocker switches • Two-speed fan • Cooktop light

JV337X White, Bisque or Almond (not shown)
 • 3-1/4" x 10" rectangular duct
 • Rectangular damper included

JN327X White, Bisque or Almond (not shown)
 • Non-vented

JXDA22 round damper accessory, available at additional cost (Models JV347/337).

JXHC1 cord kit allows a receptacle in the cabinet over the range to accommodate either an over-the-range microwave oven or a standard hood.

Light bulbs not included.

30" Self-Clean Gas Ranges

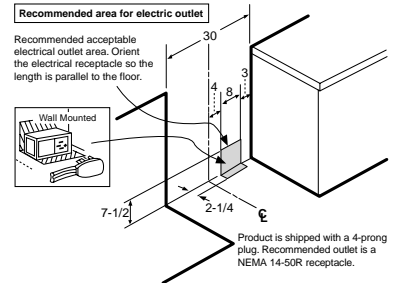
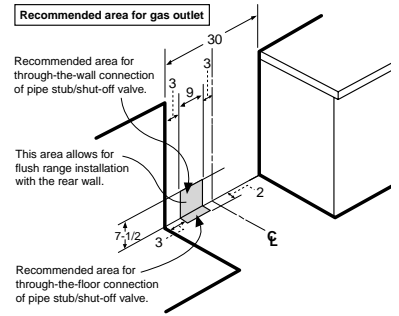
	GE Profile™							
	Dual-Fuel Model	Sealed Burner Models						
	J2B900SEF J2B900WEF J2B900CEF J2B900BEF	JGB920SEC JGB920TEC JGB920KEC JGB920BEC	JGB910SEC JGB910WEC JGB910CEC JGB910BEC	JGBP90MEB	JGBP86WEB JGBP86CEB JGBP86BEB	JGBP85WEB JGBP85CEB JGBP85BEB	JGBP79MEF JGBP79WEB JGBP79CEB JGBP79BEB	
Capacity								
Extra-large oven	●	●	●	●	●	●	●	
Features								
Oven cleaning	Self-Clean	Self-Clean	Self-Clean	Self-Clean	Self-Clean	Self-Clean	Self-Clean	
Ceramic-glass cooktop		Black True White True Bisque Black						
Cooktop burners	Sealed	Sealed	Sealed	Sealed	Sealed	Sealed	Sealed	
Maximum Output burner (Nat.)	(2) 12,000/ 1,000 BTU	(2) 12,000/ 1,600 BTU	(2) 12,000/ 1,000 BTU	(2) 12,000/ 1,000 BTU	(2) 12,000/ 1,000 BTU	(2) 12,000/ 1,000 BTU	(2) 12,000/ 1,000 BTU	
Precise Simmer burner (Nat.)	(1) 5,000/600 BTU	(1) 5,200/950 BTU	(1) 5,000/600 BTU	(1) 5,000/600 BTU	(1) 5,000/600 BTU	(1) 5,000/600 BTU	(1) 5,000/600 BTU	
All-purpose burners (Nat.)	(1) 9,500/850 BTU	(1) 9,500/1250 BTU	(1) 9,500/850 BTU	(1) 9,500/850 BTU	(1) 9,500/850 BTU	(1) 9,500/850 BTU	(1) 9,500/850 BTU	
Warming zone (120 Watts)		●						
Warming zone hot light		●						
Valves (degree of turn)	270	270	270	270	270	270	270	
TrueTemp™ system	●	●	●	●	●	●	●	
Electronic controls	●	●	●	●	●	●	●	
Convection bake/roast	Electric	●	●					
Dual element bake	Electric							
QuickSet oven controls	QuickSet V glass touch	QuickSet V glass touch	QuickSet V glass touch	QuickSet V	QuickSet V	QuickSet V	QuickSet IV	
Auto Self-Clean	●	●	●	●	●	●	●	
Electronic oven control	●	●	●	●	●	●	●	
Hi/Low broil	●	●	●	●	●	●	●	
Electronic clock and timer	●	●	●	●	●	●	●	
Automatic oven timer	●	●	●	●	●	●	●	
Audible preheat signal	●	●	●	●	●	●	●	
Auto oven shut-off	●	●	●	●	●	●	●	
Certified Sabbath mode	●	●	●					
Convection conversion	●							
Control lock capability	●							
One-piece upswept cooktop	Porc.-Enam.	Porc.-Enam.	Porc.-Enam.	Porc.-Enam.	Porc.-Enam.	Porc.-Enam.	Porc.-Enam.	
Porcelain-enameled one-piece drip pans	Black Grey Taupe Black		Black Grey Taupe Black	Black	Grey Taupe Black	Grey Taupe Black	Black Grey Taupe Black	
Removable square grates	Black Hvy.-Cast Grey Hvy.-Cast Taupe Hvy.-Cast Black Hvy.-Cast	Black Hvy.-Cast Grey Hvy.-Cast Taupe Hvy.-Cast Black Hvy.-Cast	Black Hvy.-Cast Grey Hvy.-Cast Taupe Hvy.-Cast Black Hvy.-Cast	Profes. Grates	Profes. Grates Grey Taupe Black	Grey Hvy.-Cast Taupe Hvy.-Cast Black Hvy.-Cast	Black Hvy.-Cast Grey Hvy.-Cast Taupe Hvy.-Cast Black Hvy.-Cast	
Ignition system	Electronic	Electronic	Electronic	Electronic	Electronic	Electronic	Electronic	
Oven racks	3	3	3	3	3	3	3	
Six embossed rack positions	●	●	●	●	●	●	●	
Extra-large broiler pan/grid	●	●	●	●	●	●	●	
Scratch-resistant backguard	Stainless Glass	Glass	Glass	Soft Stainless	Glass	Glass	Soft Stainless Porc.-Enam.	
Fluorescent cooktop light (excludes stainless models)	●	●	●		●	●		
Interior oven light	●	●	●	●	●	●	●	
Warming drawer	450 Watt	450 Watt	450 Watt	450 Watt	450 Watt	450 Watt	450 Watt	
Infinite control	●	●	●	●	●	●	●	
Temp. settings (lo, med, high)	150° - 220° F	150° - 220° F	150° - 220° F	150° - 220° F	150° - 220° F	150° - 220° F	150° - 220° F	
Stainless steel insert	●	●	●					
In-oven broiling	●	●	●	●	●	●	●	
Appearance								
Color appearance*	SS WW CC BB	SS WW CC BB	SS WW CC BB	BC	WW CC BB	WW CC BB	BC WW CC BB	
Frameless oven door	Stainless steel White Glass Bisque Glass Black Glass	Stainless steel White Glass Bisque Glass Black Glass	Stainless steel White Glass Bisque Glass Black Glass	Soft Stainless	White Glass Bisque Glass Black Glass	White Glass Bisque Glass Black Glass	Soft Stainless White Glass Bisque Glass Black Glass	
Oven door with window	Big View	Big View	Big View	Big View	Big View	Big View	Big View	
Designer-style handle	Sure Grip	Sure Grip	Sure Grip	Professional-Style	Sure Grip	Sure Grip	Sure Grip	
Designer-style control knobs	●	●	●	Professional-Style	●	●	●	
Four leveling legs	●	●	●	●	●	●	●	
Weights & Dimensions								
Overall oven interior dimensions (WxHxD in inches)	← 24 x 17 x 19 →							
Approx. shipping weight (lbs.)	225	246	225	230	220	220	210	
Power/Ratings								
Top burners (000's BTU's) Nat/LP	(2) 12.0/11.0 (1) 5.0/5.0 (1) 9.5/9.5	(2) 12.0/11.0 (1) 5.2/5.2 (1) 9.5/8.5			(2) 12.0/11.0 (1) 5.0/5.0 (1) 9.5/9.5			
Oven/broiler burners (000's BTU's) Nat/LP		← 16.0/16.0 Oven 13.5/12.0 Broil →			← 16.0/16.0 Oven 13.5/12.0 Broil →			
Dual-fuel range electrical rating	208/240V, 60Hz, 40A							
Gas range electrical rating	← 120V, 60Hz, 5A →							
LP conversion kit (included)	●	●	●	●	●	●	●	

*SS = Stainless steel, BC = Soft stainless, WW = White on white, CC = Bisque on bisque, BB = Black on black.
Factory set for Natural Gas. A set of LP orifices is included with each Spectra range for LP conversion.

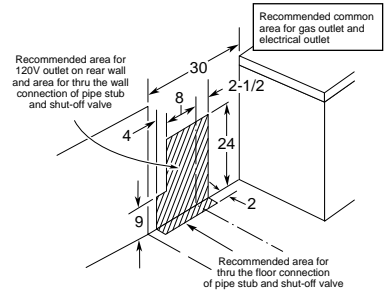
GE®						
	Sealed Burner Models				Standard Burner Models	
	JGBP35WEA JGBP35CEA JGBP35BEA	JGBP32SEF JGBP32WFF JGBP32CEF	JGBP30WEA JGBP30CEA JGBP30BEA	JGBP28WEA JGBP28BEA	JGBP26WEA JGBP26CEA JGBP26BEA	JGBP24BEA
Capacity						
Extra-large oven	•	•	•	•	•	•
Features						
Oven cleaning	Self-Clean	Self-Clean	Self-Clean	Self-Clean	Self-Clean	Self-Clean
Cooktop burners	Sealed	Sealed	Sealed	Sealed	Standard/Twin	Standard/Twin
Maximum Output burner (Nat.)	(1) 12,000/ 1,000 BTU	(1) 13,000 1,000 BTU	(1) 12,000/ 1,000 BTU			
Precise Simmer burner (Nat.)	(1) 5,000/ 600 BTU	(1) 5,000/ 600 BTU	(1) 5,000/ 600 BTU			
All-purpose burners (Nat.)	(2) 9,500/ 850 BTU	(2) 9,500/ 850 BTU	(2) 9,500/ 850 BTU	(4) 9,500/ 850 BTU	(4) 9,500/ 850 BTU	(4) 9,500/ 850 BTU
Valves (degree of turn)	270	270	270	140	270	270
TrueTemp™ system	•	•	•	•	•	•
Electronic controls	•	•	•	•	•	•
QuickSet oven controls	QuickSet IV	QuickSet III	QuickSet III	QuickSet II	QuickSet III	QuickSet II
Auto Self-Clean	•	•	•	•	•	•
Electronic oven control	•	•	•	•	•	•
Hi/Low broil	•	•	•	•	•	•
Electronic clock and timer	•	•	•	•	•	•
Automatic oven timer	•	•	•	•	•	•
Audible preheat signal	•	•	•	•	•	•
Auto oven shut-off	•	•	•	•	•	•
Certified Sabbath mode	•	•	•	•	•	•
One-piece upswept cooktop	Porc.-Enam.	Porc.-Enam.	Porc.-Enam.	Porc.-Enam.	Porc.-Enam.	Porc.-Enam.
Lift-up cooktop						
Easy-clean subtop					Porc.-Enam.	Porc.-Enam.
Porcelain-enameled one-piece drip pans	Grey Taupe Black	Black Grey Taupe	Grey Taupe Black	Opt. Access.	Chrome Chrome Black	Opt. Access.
Removable square grates	Grey Medium-Cast Taupe Medium-Cast Black	Black Medium-Cast Grey Medium-Cast Taupe	Grey Deluxe Porc.-Steel Taupe Deluxe Porc.-Steel Black Deluxe	Grey Std. Porc.-Steel Black Std.	Grey Std. Porc.-Steel Black Std. Porc.-Steel	Black Std. Porc.-Steel
Ignition system	Electronic	Electronic	Electronic	Electronic	Electronic	Electronic
Oven racks	2	3	2	2	2	2
Six embossed rack positions	•	•	•	•	•	•
Extra-large broiler pan/grid	•	•	•	•	•	•
Scratch-resistant backguard	Porc.-Enam.	Porc.-Enam.	Porc.-Enam.	Porc.-Enam.	Porc.-Enam.	Porc.-Enam.
Interior oven light	•	•	•	•	•	•
Storage drawer	•	•	•	•	•	•
In-oven broiling	•	•	•	•	•	•
Appearance						
Color appearance*	WW CC BB	SS WW CC	WW CC WH/CT	WW WH/CT	WW CC WH/CT	WH/CT
Frameless oven door	White Glass Bisque Glass Black Glass	Stainless White Glass Bisque Glass	White Glass Bisque Glass Black Glass	White Glass Black Glass	White Glass Black Glass	Solid Black Glass
Oven door with window	Big View	Big View	Big View	•	•	•
Designer-style handle	•	•	•	•	•	•
Four leveling legs	•	•	•	•	•	•
Weights & Dimensions						
Overall oven interior dimensions (WxHxD in inches)	← 24 x 17 x 19 →					
Approx. shipping weight (lbs.)	210	210	210	210	200	200
Power/Ratings						
Top burners (000's BTU's) Nat/LP	(1) 12.0/11.0 (1) 5.0/5.0 (2) 9.5/9.5	(1) 13.0/11.0 (1) 5.0/5.0 (2) 9.5/9.5	(1) 12.0/11.0 (1) 5.0/5.0 (2) 9.5/9.5	(4) 9.5/9.5	← (4) 9.0/8.0 →	
Oven/broiler burners (000's BTU's) Nat/LP	← 16.0/16.0 Oven 13.5/12.0 Broil →					
Gas range electrical rating	← 120V, 60Hz, 5A →					
LP conversion kit (included)	•	•	•	•	•	•

*SS = Stainless steel, WW = White on white, CC = Bisque on bisque, BB = Black on black, WH = White, CT = Bisque. Factory set for Natural Gas. A set of LP orifices is included with each range for LP conversion.

Installation Information Dimensions (in inches) Model J2B900



Installation Information Dimensions (in inches) All models except J2B900

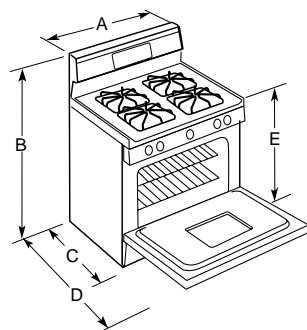


Optional Gas Range Accessory Drip Pans For Sealed and Standard Burner Models (Available at additional cost) To order these accessory drip pans, call toll-free 800-626-2002.

Optional Gas Range Wok Accessory (Available at additional cost) JXWK = Wok holder accessory sits on top of maximum burner grate to hold a **round-bottom** wok.

Installation Information: Before installing, consult installation instructions packed with product for current dimensional data.

Dimensions (in inches)



Model	A	B	C*	D	E
J2B900	30	47-3/4	26-1/4	46-3/8	36 ± 1/4
JGB920	30	47-3/4	26-1/4	46-3/8	36 ± 1/4
JGB910	30	47-3/4	26-1/4	46-3/8	36 ± 1/4
JGBP90	30	47-3/4	26-1/4	46-3/8	36 ± 1/4
JGBP86	30	47-3/4	26-1/4	46-3/8	36 ± 1/4
JGBP85	30	47-3/4	26-1/4	46-3/8	36 ± 1/4
JGBP79	30	46-1/2	26-1/4	46-3/8	36 ± 1/4
JGBP35	30	46-1/2	26-1/4	46-3/8	36 ± 1/4
JGBP32	30	46-1/2	26-1/4	46-3/8	36 ± 1/4
JGBP30	30	46-1/2	26-1/4	46-3/8	36 ± 1/4
JGBP28	30	46-1/2	26-1/4	46-3/8	36 ± 1/4
JGBP26	30	46-1/2	26-1/4	46-3/8	36 ± 1/4
JGBP24	30	46-1/2	26-1/4	46-3/8	36 ± 1/4

*Dimension from wall to front of closed door handle is 29" on models JGB920/910, JGBP86/85/79 and 28-1/4" on models JGBP90/35/32/30/28/26/24. Depth to front edge of cooktop—25-1/4".



All GE ranges are equipped with an Anti-Tip device. The installation of this device is an important, required step in the installation of the range.

Gas Self-Clean Range Anti-Tip Bracket (Part No. 205C1714P001)
J2B900, JGB920/910/90/86/85/79/35/32/30/28/26/24

30" Continuous- & Standard-Clean Gas Ranges

GE®											
Sealed Burner Models											
Standard Burner Models											
Capacity											
Features											
Appearance											
Weights & Dimensions											
Power/Ratings											
Extra-large oven	•	•	•	•	•	•	•	•	•	•	•
Oven cleaning	Standard-Clean	Standard-Clean	Standard-Clean	Standard-Clean	Cont.-Clean Standard-Clean	Cont.-Clean Standard-Clean	Standard-Clean	Standard-Clean	Standard-Clean	Standard-Clean	Standard-Clean
Cooktop burners	Sealed	Sealed	Sealed	Sealed	Std./Twin	Std./Twin	Std./Twin	Std./Twin	Std./Twin	Std./Twin	Std./Twin
Maximum Output burner (Nat.)	(1) 12,000/ 1,000 BTU										
Precise Simmer burner (Nat.)	(1) 5,000/600 BTU										
All-purpose burners (Nat.)	(2) 9,500/850 BTU	(4) 9,500/850 BTU	(1) 8,000/ BTU (3) 7,000/ BTU	(1) 8,000/ BTU (3) 7,000/ BTU							
Center oval burner			(1) 6,000/ BTU	(1) 6,000/ BTU							
Valves (degree of turn)	270	140	140	140	140	140	140	140	140	140	
Electronic clock and timer	•	•	Clock only	•	•	•	• / -	•	•	•	
Porcelain-enameled cooktop	One-Piece Upswept	One-Piece Upswept	•	•	One-Piece Upswept	One-Piece Upswept	1-Piece Upswept	•	•	•	
Lift-up cooktop					•	•	•	•	•	•	
Easy-clean porcelain- enameled subtop					•	•	•	•	•	•	
One-piece drip pans	Grey Taupe Black Black	Opt. Access.			Opt. Access.	Opt. Access.	Opt. Access.	Opt. Access.	Opt. Access.	Opt. Access.	
Removable square grates	Deluxe Porcelain-Steel	Black Standard Porcelain-Steel	Continuous Wire	Continuous Wire	Black Standard Porcelain-Steel	Grey Standard Porcelain-Steel	Black Standard Grey Standard Porcelain-Steel	Black Standard Porcelain-Steel	Black Standard Porcelain-Steel	1-Piece Wire	
Griddle			Non-stick	Non-stick							
Ignition system	Electronic	Electronic	Electronic	Electronic	Electronic	Electronic	Electronic	Electronic Pilot†	Electronic Pilot†	Pilot†	
Oven racks	2	2	2	1	2	2	2	2	2	2	
Six embossed rack positions	•	•	•	•	•	•	•	•	•	•	
Extra-large broiler pan/grid	•	•	•	•	•	•	•	•	•	•	
Porcelain-enameled backguard	•	•	Glass	•	•	•	•	•	•	•	
Interior oven light	•	•	•	•	•	•	•	•	•	•	
Broiler drawer	Slide-out	Slide-out	Drop-down		•	•	•	•	•	Drop-down	
Color appearance*	WW CC BB WH/CT	WH/CT	WW CC BB	WW	WH/CT WH/AD	WW	WH/CT WW	WH/CT	WH/CT	WH/AD	
Frameless oven door	White Glass Bisque Glass Black Glass Black Glass	Black Glass	White Glass Bisque Glass Black Glass	White Porc-Enam.	Black Glass	White Glass	CM* Porcelain- Enameled White Porcelain- Enameled	Solid Black Glass	CM* Porcelain- Enameled	CM* Porcelain- Enameled	
Oven door with window	Big View	•	•	•	•	•	•	•	•	•	
Designer-style handle	•	•	•	•	•	•	•	•	Chrome Visor	Chrome Visor	
Four leveling legs	•	•	•	•	•	•	•	•	•	•	
Overall oven interior dimensions (WxHxD in inches)	← 24 x 17 x 19 →										
Approx. shipping weight (lbs.)	180	170	160	160	175	175	175 / 165	165	165	160	
Top burners (000's BTU's) Nat/LP	(1) 12.0/11.0 (1) 5.0/5.0 (2) 9.5/9.5	(4) 9.5/9.5	(1) 8.0/8.0 BTU (3) 7.0/7.0 BTU (1) 6.0/6.0 BTU	(1) 8.0/8.0 BTU (3) 7.0/7.0 BTU (1) 6.0/6.0 BTU	← (4) 9.0/8.0 →						
Oven/broiler burners (000's BTU's) Nat/LP	← 18.0/16.5 →										
Gas range electrical rating**	← 120V, 60Hz., 5A →										
LP conversion kit (included)	•	•	•	•	•	•	•	•	•	•	

*WW= White on white, CC = Bisque on bisque, AA = Almond on almond, WH = White, CT = Bisque, AD = Almond, CM = Color-Matched indicates color of oven door matches cooktop (either white, bisque or almond).

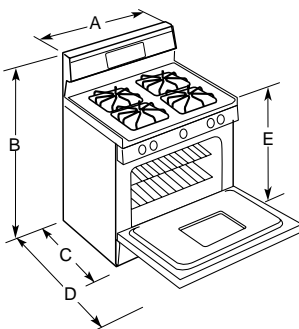
**Electrical rating not applicable to standing pilot models.

†JGBS04BPA, JGBS04PPA and JGBS03PPA have standing pilot ignition.

Factory set for Natural Gas. A set of LP orifices is included with each range for LP conversion.

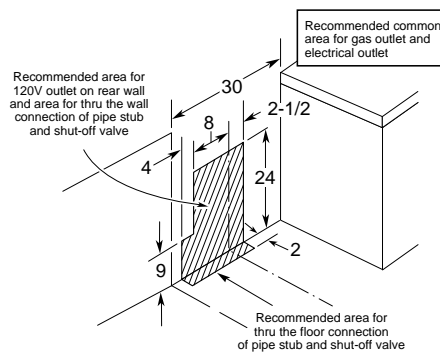
Note: Model JGBS03PPA does not have a flamespreader in broiler compartment.

Installation Information Dimensions (in inches)



Model	A	B	C*	D	E
JGBS23	30	46-1/2	26-1/4	46-3/8	36 ± 1/4
JGBS22	30	46-1/2	26-1/4	46-3/8	36 ± 1/4
JGBS10	30	45	25-5/16	46-1/4	36 ± 1/4
JGBS09	30	45	25-5/16	46-1/4	36 ± 1/4
JGBC20	30	46-1/2	26-1/4	46-3/8	36 ± 1/4
JGBS20	30	46-1/2	26-1/4	46-3/8	36 ± 1/4
JGBC20	30	46-1/2	26-1/4	46-3/8	36 ± 1/4
JGBS20	30	46-1/2	26-1/4	46-3/8	36 ± 1/4
JGBS17	30	46-1/2	26-1/4	46-1/4	36 ± 1/4
JGBS07	30	45-1/2	26-1/4	46-1/4	36 ± 1/4
JGBS04	30	45-1/2	26-1/4	46-3/8	36 ± 1/4
JGBS04	30	45-1/2	25-5/16	46-1/4	36 ± 1/4
JGBS03	30	40	25-5/16	46-1/4	36 ± 1/4

*Dimension from wall to front of closed door handle is 29".
On models JGBS04 and JGBS03 the dimension is 27-7/16".
25-1/4"—Depth to front top edge of cooktop.



All GE ranges are equipped with an Anti-Tip device. The installation of this device is an important, required step in the installation of the range.

Gas Self-Clean Range Anti-Tip Bracket
(Part No. 205C1714P001) JGBS23/22/20/17/10/09/07/05/04/03

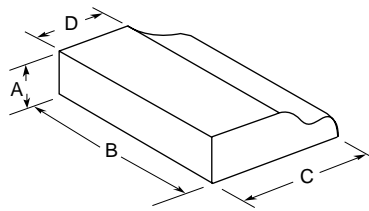
Hoods

	GE Profile						GE				
	Width	High-Performance				Performance		Deluxe	Standard		
		30"		JV636C	JV635C	JV536C	JV535C	JV347X	JV327X	JV337X	JN327X
36"	JV666C	JV665C			JV566C	JV565C					
Features											
Two-speed fan control					•	•		•	•	•	
Three-speed fan control	With boost	With boost	With boost	With boost			•				
Vertical exhaust (CFM)	350	350	350	350	190	190	180	160	160		
Rear exhaust (CFM)	400	400	400	400	200	200	160		150		
Damper included (rectangular)	•	•	•	•	•	•	•		•		
Optional damper accessory (round)	JXDA23	JXDA23	JXDA23	JXDA23	JXDA23	JXDA23	JXDA22	JXDA22	JXDA22		
Sones rating:											
Top exhaust	4.0/7.0*	4.0/7.0*	4.0/7.0*	4.0/7.0*	4.0	4.0	8.0	8.0	8.0		
Rear exhaust	4.0/7.0*	4.0/7.0*	4.0/7.7*	4.0/7.7*	4.0	4.0	8.0		8.0		
Removable grease filters	2 [†]	2 [†]	2 [†]	2 [†]	2 ^{††}	Disposable 2 ^{††}	1-Pc. Filter ^{†††}	1 ^{†††}	Disposable 1 ^{†††}	1-Pc. Filter ^{†††}	
Filter size (sq. in.)	207	207	171	171	171/207	171/207	90	90	90	90	
Cooktop light(s)**	2 Halogen (50 watts)	2 Halogen (50 watts)	2 Halogen (50 watts)	2 Halogen (50 watts)	2 Halogen (50 watts)	2 Halogen (50 watts)	1	1	1	1	
Night light position on light switch	•	•	•	•	•	•	•	•	•	•	
3-1/4" x 10" rectangular duct	•	•	•	•	•	•	Option		•		
7" round duct	•	•	•	•	•	•	Option	•			
Non-vented							Option			•	
Silverstone underside coating	•	•	•	•							
Appearance											
Color appearance***	SS	WW/BB	SS	WW/BB	SS	WW/CC/BB	WW/CC/AA/BB	W/C/A	W/C/A	W/C/A	
Weights & Dimensions											
Approx. shipping weight (lbs.)	35	35	30	30	30	30	20	14	17	19	
Power/Ratings											
Current rating amps @ 120V	2.5	2.5	2.5	2.5	1.4	1.4	2.5	2.5	2.5	2.5	

*Top exhaust soles rating when in boost mode.
 **Light bulbs not furnished.
 ***SS = Stainless steel, WW = White on white, CC = Bisque on bisque, AA = Almond on almond, BB = Black on black, W = White, C = Bisque, A = Almond.
 †WB02X10713 (30") or WB02X10710 (36") removable grease filter is available for additional cost. Call toll free 800.626.2002. (Models JV666/665 and JV636/635)
 ††WB02X10709 (30") or WB02X10706 (36") removable grease filter and WB02X10707 (30") or WB02X10708 (36") removable charcoal filter are available for additional cost.
 Call toll free 800.626.2002. (Models JV566/565 and JV536/535)
 †††WB02X9381 replacement grease filter and WB02X10700 replacement charcoal filter are available for additional cost. Call toll free 800.626.2002. (Models JV347/327/337 and JN327)

Dimensions (in inches)

Model	A	B	C	D
JV666/JV665	7-1/4	35-7/8	20	12
JV636/JV635	7-1/4	29-7/8	20	12
JV536/JV535	7-1/4	29-7/8	20	12
JV566/JV565	7-1/4	35-7/8	20	12
JV347	5-1/2	29-7/8	17-1/2	12
JV337	5-1/2	29-7/8	17-1/2	12
JV327	5-1/2	29-7/8	17-1/2	12
JN327	5-1/2	29-7/8	17-1/2	12



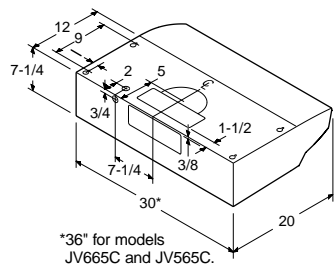
JXHC1 Cord Kit

Allows a receptacle in the cabinet over the range to accommodate either an over-the-range microwave oven or a standard hood.

Hood Dimensions (in inches)

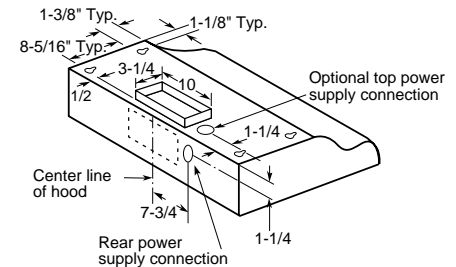
1 Models JV666C, JV665C, JV636C, JV635C, JV536C, JV535C, JV566C and JV565C

Exhaust outlet connects to 3-1/4" x 10" duct (vertically or horizontally) and 7" round (vertically). Includes rectangular damper and 7" round damper adapter. Round damper accessory, JXDA23 available at additional cost.



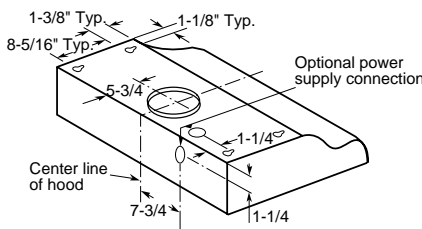
2 Models JV347X* and JV337X

*JV347X—Refer to this drawing for rectangular exhaust option. Refer to drawing 3 for round exhaust option. Exhaust outlet connects to 3-1/4" x 10" rectangular duct. Vent top or rear. Includes rectangular damper.

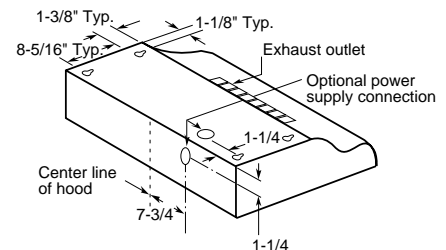


3 Models JV347X* and JV327X

*JV347X—Refer to this drawing for round exhaust option. Refer to drawing 2 for rectangular exhaust option. Exhaust outlet connects to 7" diameter duct. Vent top only. Round damper accessory, JXDA22, available at additional cost.



4 Model JN327X



Installation Information: Before installing, consult installation instructions packed with product for current dimensional data.

Answers that click!
GE puts everything you need at your fingertips.



GE Appliances web site — 16 million visitors a year!
Visit us at GEAppliances.com

Everything you need to know about GE products is here. Access up-to-date information, find out "what's new," obtain dimensions, get installation tips and more. Extremely user-friendly, this one-stop site lets you research by brand, category or model number and even buy online through a local GE dealer.

GE Answer Center® saves you time.
800.626.2000

This 24-hour-a-day, 7-day-a-week service provides answers on product features, installation, service and more.



GE Appliances

General Electric Company
Louisville, Kentucky 40225
GEAppliances.com

GE has a policy of continuous improvement of its products and reserves the right to change materials and specifications without notice.

© 2002 General Electric Company
Pub. No. 3-S242 PC33456