

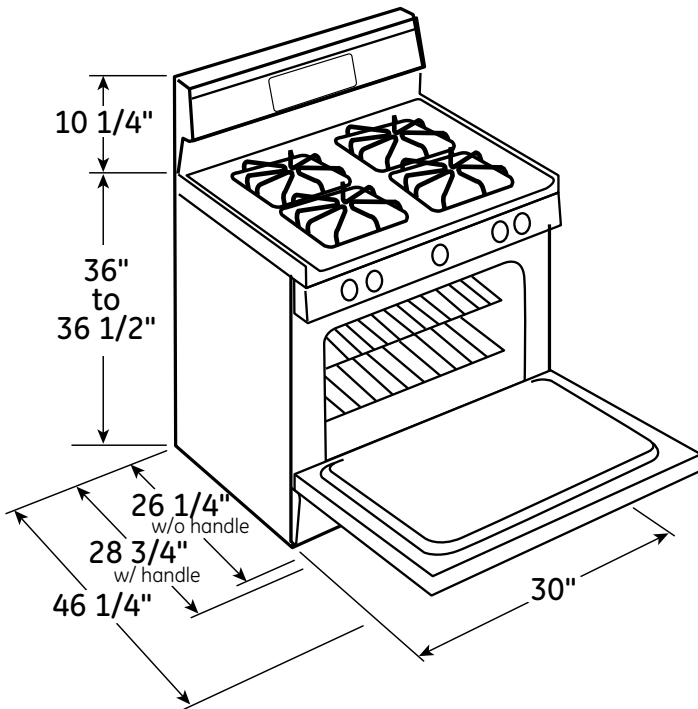
JGBS10GEF

GE® 30" Free-Standing Gas Range

Dimensions and Installation Information (in inches)

Electrical Rating: 120V, 60Hz, 15A

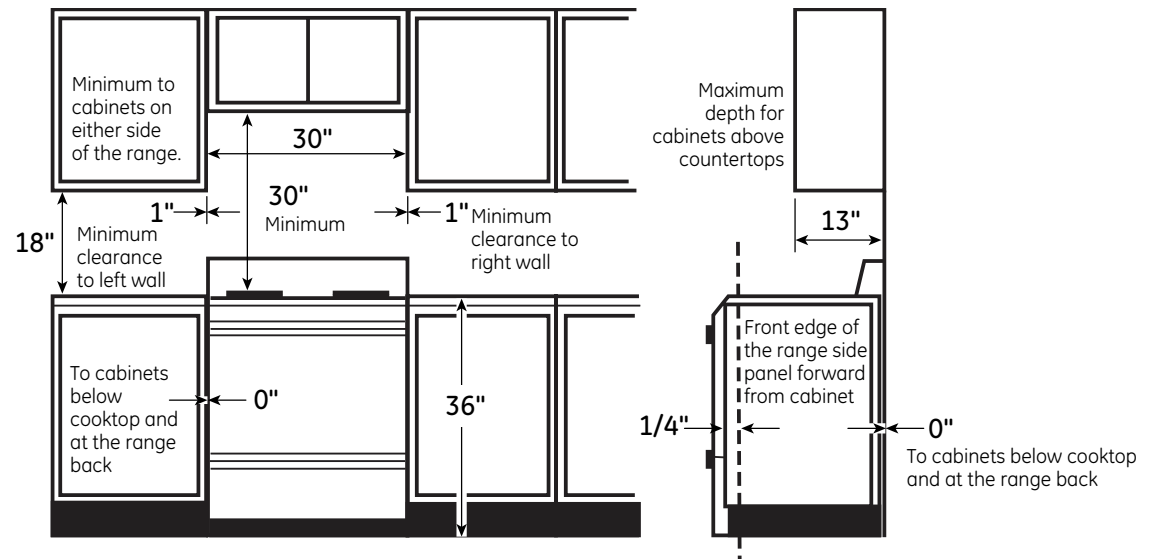
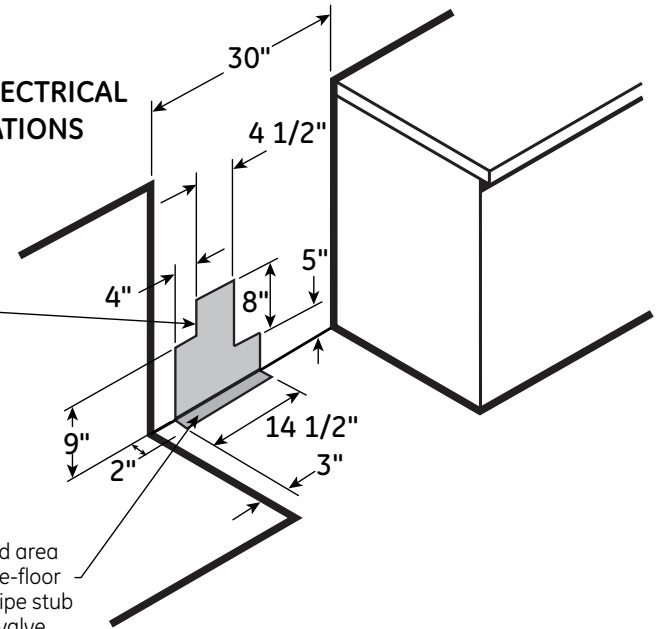
Installation Information: Before installing, consult installation instructions packed with product for current dimensional data.



GAS PIPE AND ELECTRICAL OUTLET LOCATIONS

Recommended area for 240V outlet on rear wall and area for through-the-wall connection of pipe stub and shut-off valve.

Recommended area for through-the-floor connection of pipe stub and shut-off valve.



imagination at work

For answers to your Monogram® or GE® appliance questions, visit our website at geappliances.com or call GE Answer Center® service, 800.626.2000.



*ADA qualified based on Uniform Federal Accessibility Standards



All GE ranges are equipped with an Anti-Tip device. The installation of this device is an important, required step in the installation of the range.

JGBS10GEF

GE® 30" Free-Standing Gas Range

Features and Benefits

- 4.8 cu. ft. oven capacity - Enough room to cook an entire meal at once
- Standard Clean Oven - Smooth surface and rounded corners make clean-up quick and easy
- Standard Grates - Hold cookware securely over burners
- Porcelain Upswept Cooktop - Raised edges contain spills, while the surface is easy to wipe clean
- Model JGBS10GEFSA - Silver



imagination at work