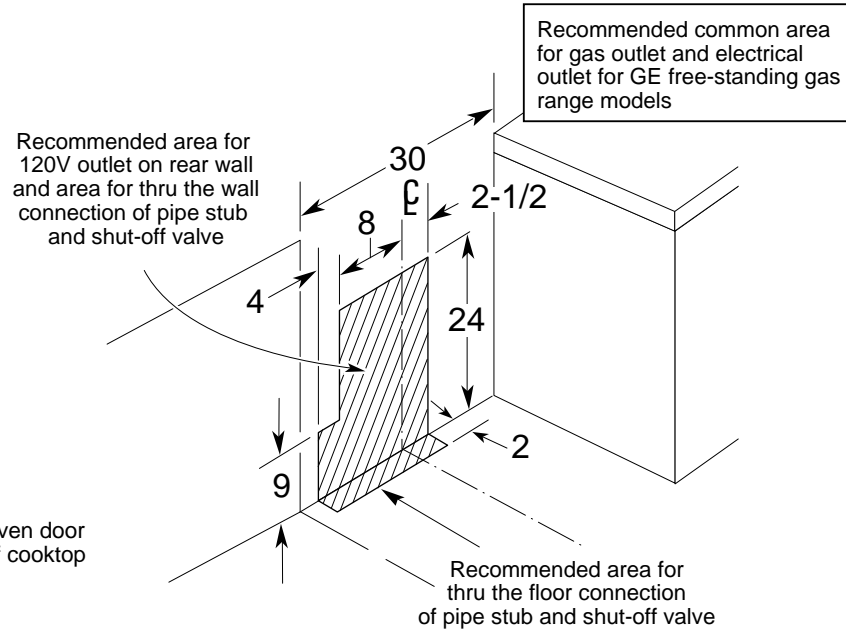
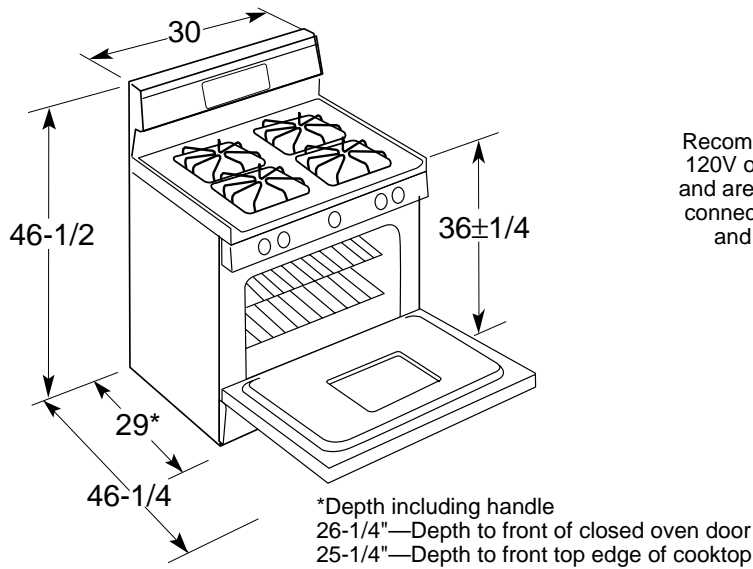




GE Appliances

# JGBS17PEACT—30" Free-Standing XL44™ Gas Range

## Dimensions (in inches) and Installation Information



**Optional Gas Range Accessory Drip Pans for Sealed and Standard Burner Models**  
(Available at additional cost)  
To order these accessory drip pans, call toll-free 800-848-7722.

**Electrical Rating:** 120V, 60Hz, 5A

**Installation Information:** Before installing, consult installation instructions packed with product for current dimensional data.

For answers to your Monogram®, GE Profile™ or GE appliance questions, visit our website at [GEAppliances.com](http://GEAppliances.com) or call GE Answer Center® service, 800.626.2000.



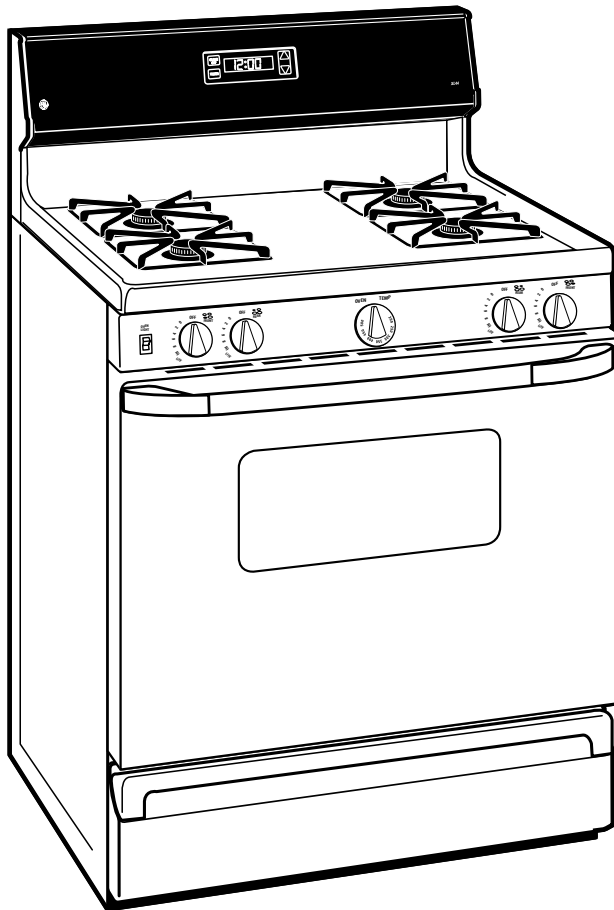
All GE ranges are equipped with an Anti-Tip device. The installation of this device is an important, required step in the installation of the range.





**GE Appliances**

## **JGBS17PEACT—30" Free-Standing XL44™ Gas Range**



### **Features and Benefits**

- One-Piece Upswept Porcelain-Enameled Lift-Up Cooktop
- Standard/Twin Cooktop Burners
- Black Standard Porcelain-Steel Square Grates
- Electronic Pilotless Ignition System
- Extra-Large 4.4 cu. ft. Standard Clean Oven
- Electronic Clock and Timer
- Slide Out Broiler Drawer
- Extra-Large Broiler Pan with Grid
- 2 Oven Racks / 6 Embossed Rack Positions
- Easy-Clean Porcelain-Enameled Subtop
- Color-Matched Porcelain-Enameled Oven Door with Window
- Designer-Style Handle
- Optional Accessory One-Piece Drip Pans Available at Additional Cost
- Also Available in a Continuous Clean Oven as Model JGBC17PEA
- Model JGBS17PEAWH—White
- Model JGBS17PEAAD—Almond
- Model JGBS17PEACT—Bisque