

JGBS18GET

GE® 30" Free-Standing Gas Range

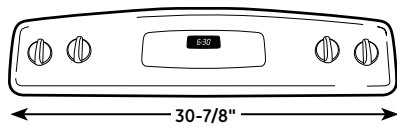
Dimensions and Installation Information (in inches)

Factory set for Natural gas. A set of LP orifices is included with each range for LP conversion.

Gas Self-Clean Range Anti-Tip Bracket (Part No. 205C1714P001)

Electrical Rating: 120V, 60Hz, 5A

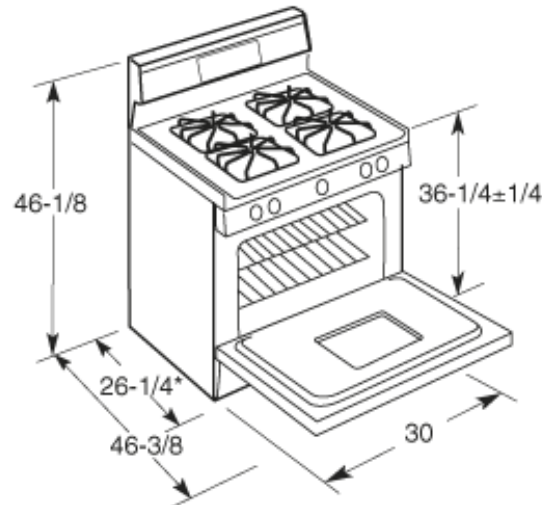
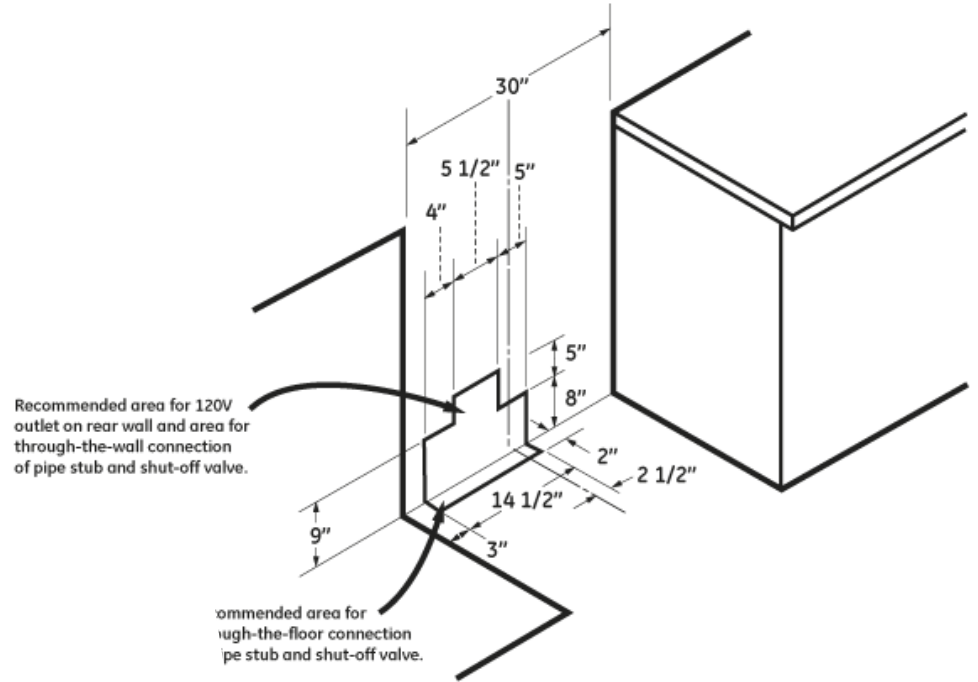
Installation Information: Before installing, consult installation instructions packed with product for current dimensional data.



All 30" GE gas and electric range backguards are 30-7/8" wide.*

*Except these models: JGBS07, JGBS04, all GE Profile free-standing electric and gas ranges
Fits most countertop backsplash applications.
Consult Use & Care Manual for detailed installation instructions.

For answers to your Monogram®, GE Profile™ or GE® appliance questions, visit our website at geappliances.com or call GE Answer Center® service, 800.626.2000.



*Dimension from wall to front of closed door handle is 29-1/4".



All GE ranges are equipped with an Anti-Tip device. The installation of this device is an important, required step in the installation of the range.

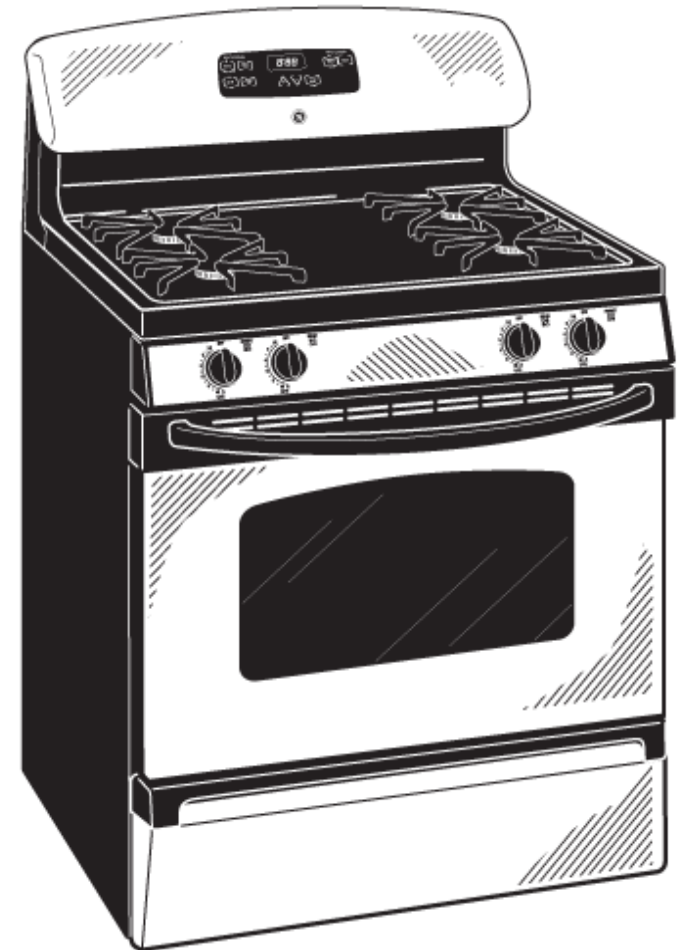


JGBS18GET

GE® 30" Free-Standing Gas Range

Features and Benefits

- 4.8 cu. ft. capacity - More room for cooking more dishes at once
- Standard clean oven - Smooth surface and rounded corners make clean-up quick and easy
- Sealed Cooktop Burners - Adhere to cooktop to help contain spills and make cleaning quick and easy
- All Purpose Burners - Deliver a wide range of heat output ideal for most cooking requirements
- Big hearth window - Elegantly shaped window makes it easy to monitor the progress of food
- Model JGBS18GETSA - Silver



imagination at work