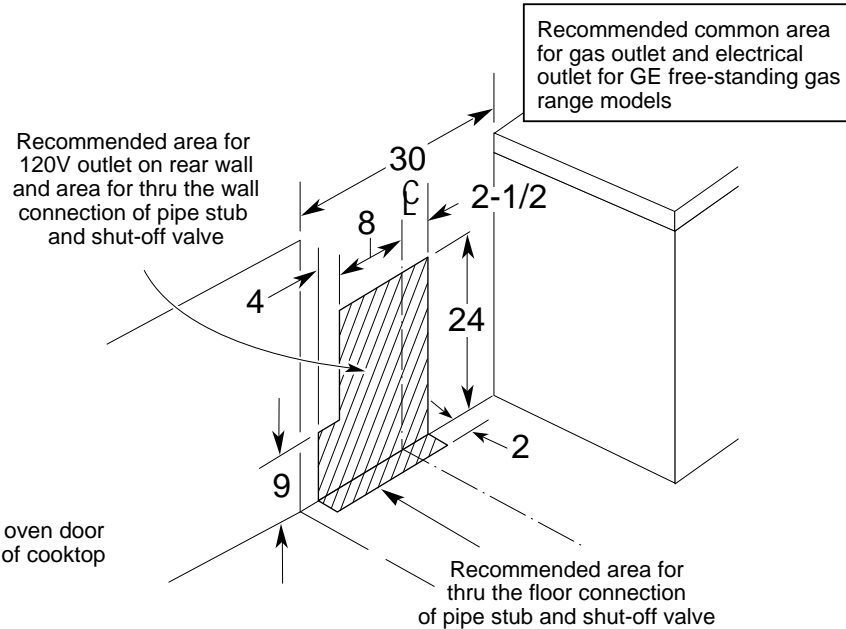
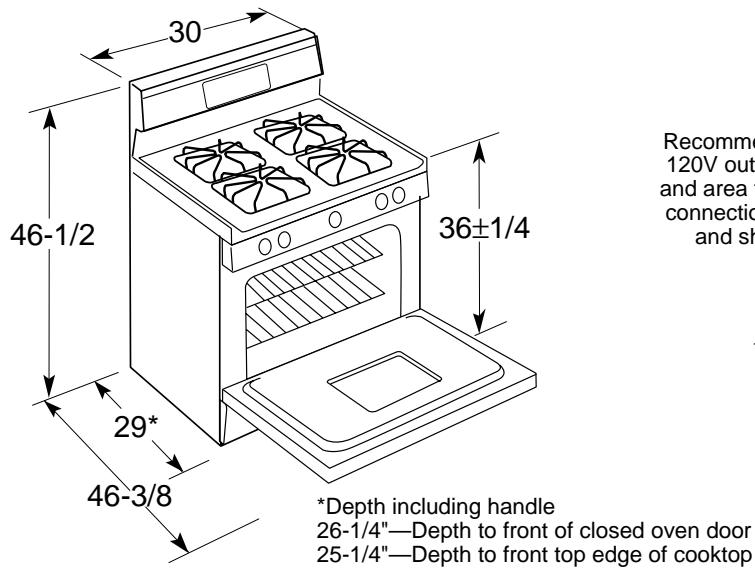




GE Appliances

## JGBS20BEAWH—30" Free-Standing XL44™ Gas Range

Dimensions (in inches) and Installation Information



**Optional Gas Range Accessory Drip Pans for Sealed and Standard Burner Models**  
(Available at additional cost)  
To order these accessory drip pans, call toll-free 800-848-7722.

**Electrical Rating:** 120V, 60Hz, 5A

**Installation Information:** Before installing, consult installation instructions packed with product for current dimensional data.

For answers to your Monogram®, GE Profile Performance Series™, GE Profile™, and GE appliance questions, call GE Answer Center® service, 800.626.2000.



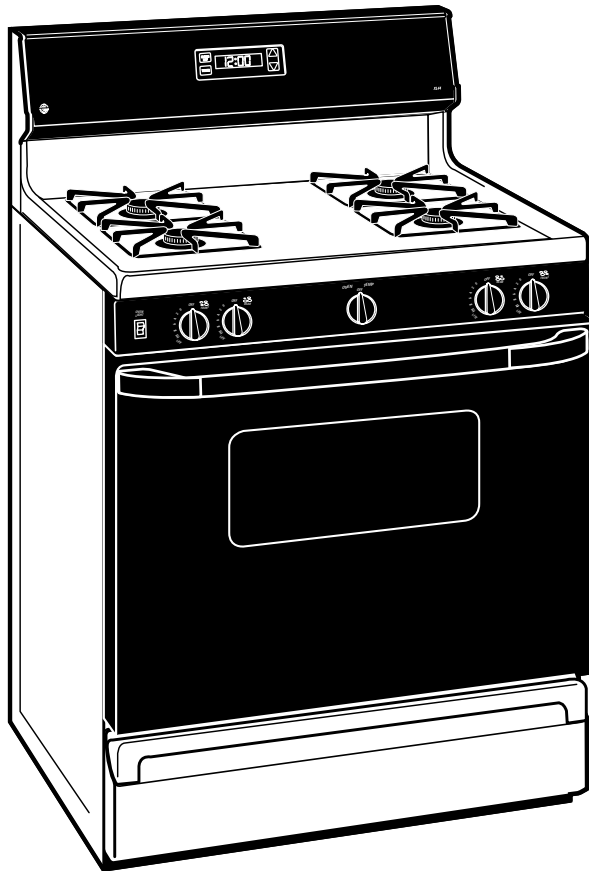
All GE ranges are equipped with an Anti-Tip device. The installation of this device is an important, required step in the installation of the range.





*GE Appliances*

## ***JGBS20BEAWH—30" Free-Standing XL44™ Gas Range***



### ***Features and Benefits***

- One-Piece Upswept Porcelain-Enameled Lift-Up Cooktop
- Standard/Twin Cooktop Burners
- Black Standard Porcelain-Steel Square Grates
- Electronic Pilotless Ignition System
- Extra-Large 4.4 cu. ft. Standard Clean Oven
- Slide Out Broiler Drawer
- Extra-Large Broiler Pan with Grid
- 2 Oven Racks / 6 Embossed Rack Positions
- Easy-Clean Porcelain-Enameled Subtop
- Electric Clock and Timer
- Removable Frameless Glass Oven Door with Window
- Designer-Style Handle
- Black Porcelain-Enameled Scratch-Resistant Backguard
- Optional Accessory One-Piece Drip Pans Available at Additional Cost
- Also Available in Continuous Clean Oven as Model JGBC20BEA
- Model JGBS20BEAWH—White
- Model JGBS20BEAAD—Almond