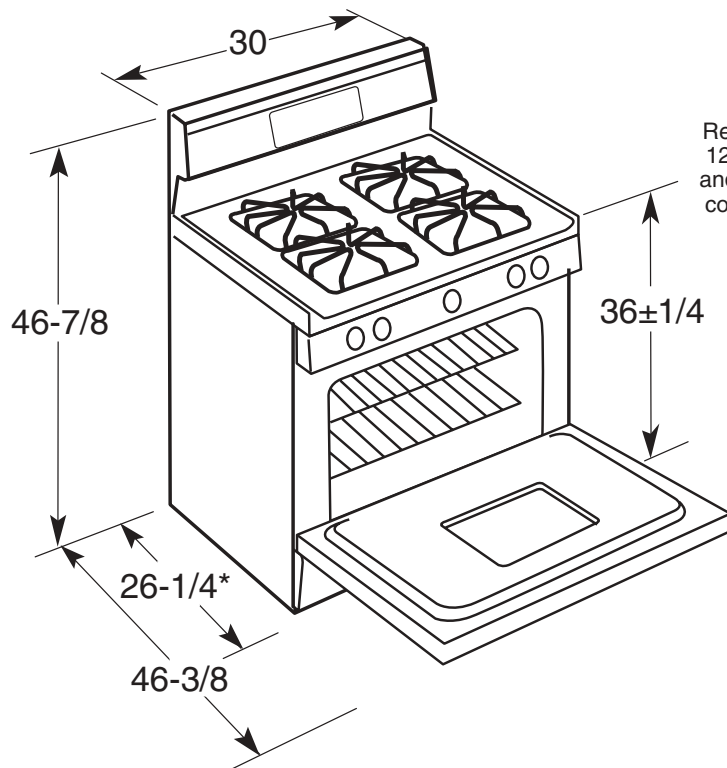




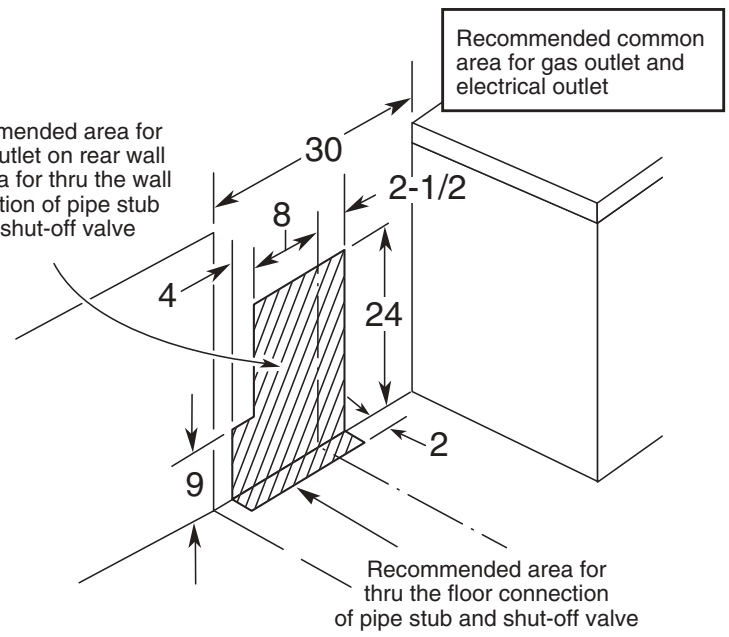
GE Appliances

## JGBS20WEH – GE® 30" Free-Standing Standard Clean Gas Range

### Dimensions (in inches) and Installation Information



Recommended area for 120V outlet on rear wall and area for thru the wall connection of pipe stub and shut-off valve



Factory set for Natural gas. A set of LP orifices is included with each range for LP conversion.

**Gas Self-Clean Range  
Anti-Tip Bracket  
(Part No. 205C1714P001)**

**Electrical Rating:** 120V, 60Hz, 5A

**Installation Information:** Before installing, consult installation instructions packed with product for current dimensional data.

\*Dimension from wall to front of closed door handle is 29".  
Depth to front top edge of cooktop – 25-1/4".



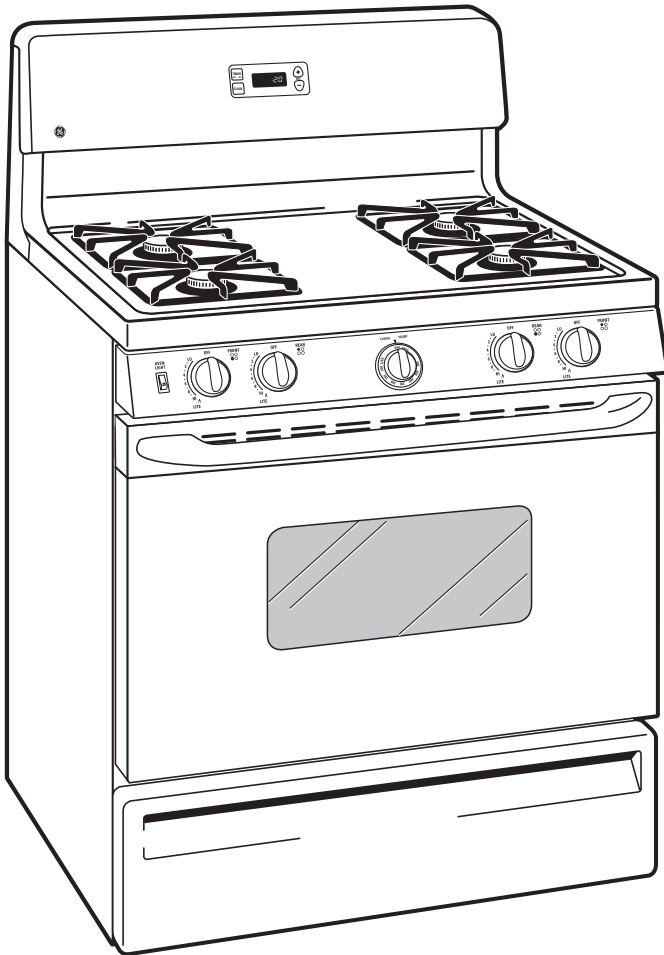
All GE ranges are equipped with an Anti-Tip device. The installation of this device is an important, required step in the installation of the range.





**GE Appliances**

## **JGBS20WEH – GE® 30" Free-Standing Standard Clean Gas Range**



### **Features and Benefits**

- Extra-Large Oven Capacity – Provides a large oven interior ideal for cooking more items at once.
- All Purpose Burners – Deliver a wide range of heat output ideal for most cooking requirements.
- Electronic Clock and Timer – Features a convenient digital clock and easy-to-use timer with an audible signal to help coordinate cooking times in the kitchen.
- Standard Grates – Provide a sturdy and convenient cookware surface for everyday cooking.
- Frameless Glass Oven Door – Offers an easy-to-clean and stylish design that blends seamlessly into existing cabinetry.
- ClearView™ Window – Features a convenient viewing area to check the progress of food.
- Two Oven Racks – Feature a durable construction to help accommodate any size or type of cookware.
- Model JGBS20WEHWW – White on white (white door and white patterned cooktop)
- Model JGBS20BEHWH – White (black door and white patterned cooktop)
- Model JGBS20BEHCT – Bisque (black door and bisque patterned cooktop)