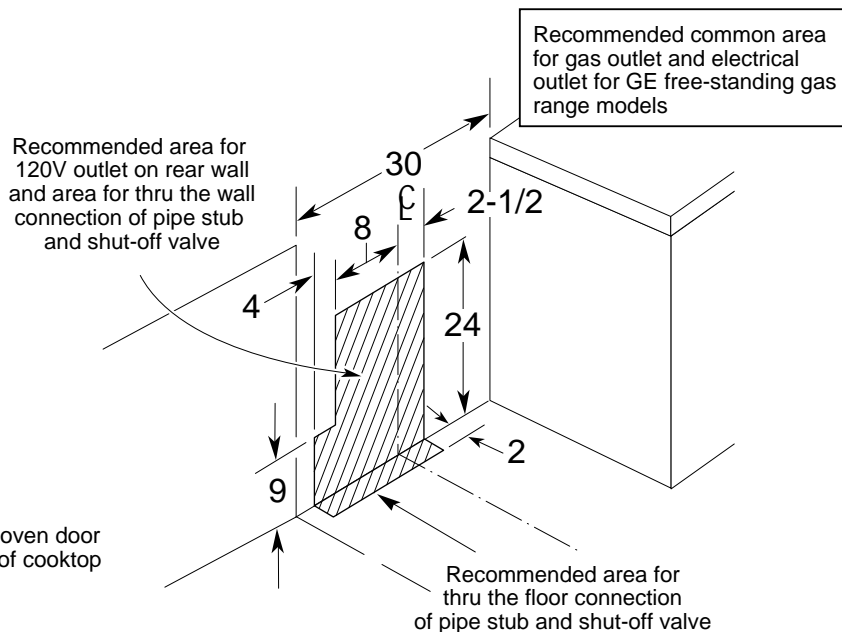
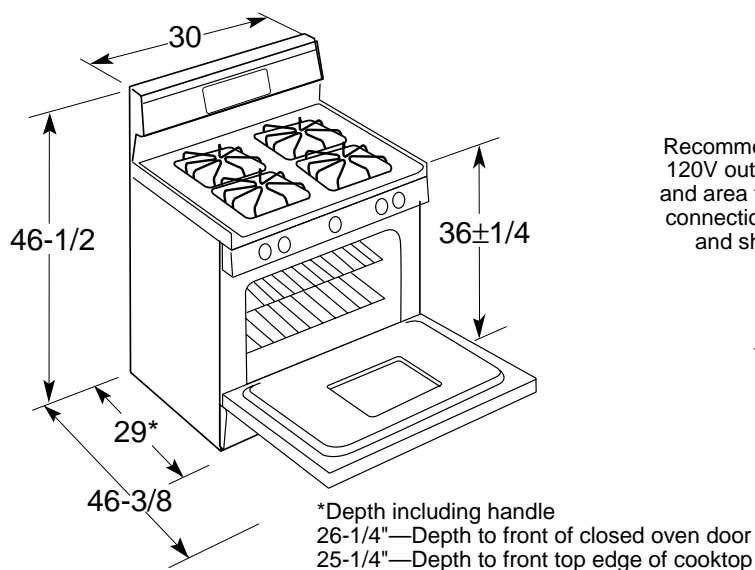




GE Appliances

## JGBS21PEAAD—30" Free-Standing XL44™ Gas Range

Dimensions (in inches) and Installation Information



**Optional Gas Range Accessory Drip Pans for Sealed and Standard Burner Models**  
(Available at additional cost)  
To order these accessory drip pans, call toll-free 800-848-7722.

**Electrical Rating:** 120V, 60Hz, 5A

**Installation Information:** Before installing, consult installation instructions packed with product for current dimensional data.

For answers to your Monogram®, GE Profile Performance Series™, GE Profile™, and GE appliance questions, call GE Answer Center® service, 800.626.2000.



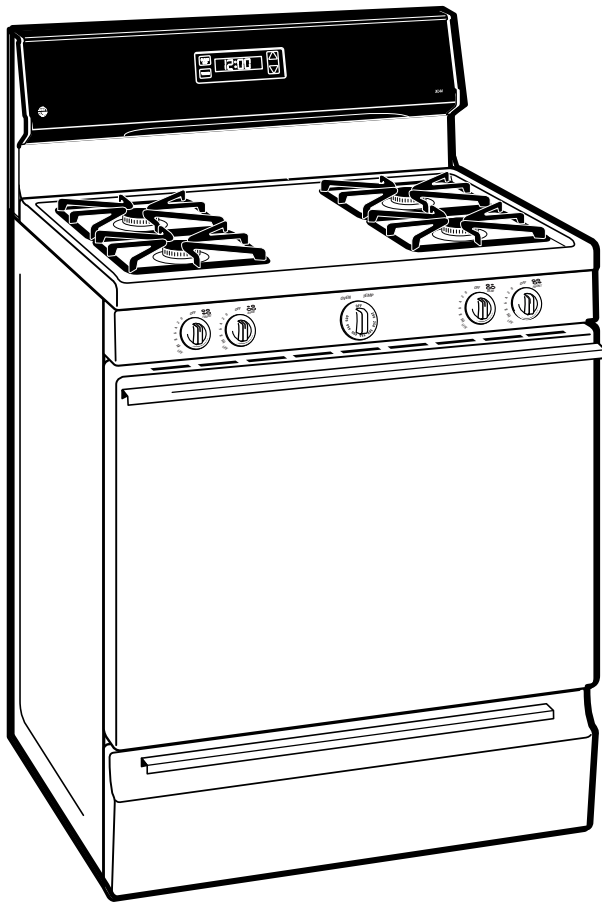
All GE ranges are equipped with an Anti-Tip device. The installation of this device is an important, required step in the installation of the range.





*GE Appliances*

## ***JGBS21PEAAD—30" Free-Standing XL44™ Gas Range***



### ***Features and Benefits***

- One-Piece Upswept Porcelain-Enameled Cooktop
- (4) 9,200/1,840 BTU Sealed Cooktop Burners
- Sealed Cooktop Burners
- Black Standard Porcelain-Steel Square Grates
- Electronic Pilotless Ignition System
- Extra-Large 4.4 cu. ft. Standard Clean Oven
- Electronic Clock and Timer
- Slide Out Broiler Drawer
- Extra-Large Broiler Pan with Grid
- 1 Oven Rack / 6 Embossed Rack Positions
- Porcelain-Enameled Frameless Oven Door with Window
- Designer-Style Handle
- Optional Accessory One-Piece Drip Pans Available at Additional Cost
- Model JGBS21PEAWH—White
- Model JGBS21PEAAD—Almond