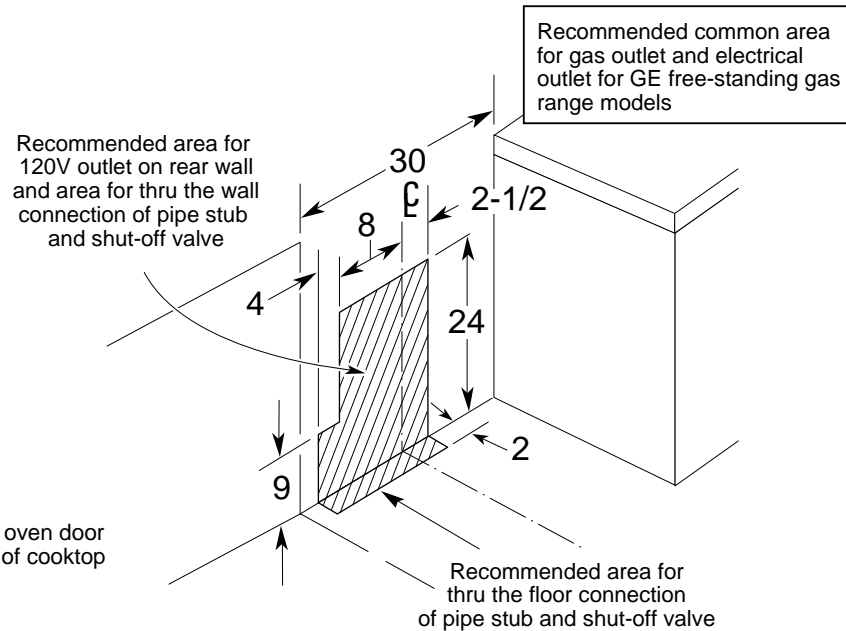
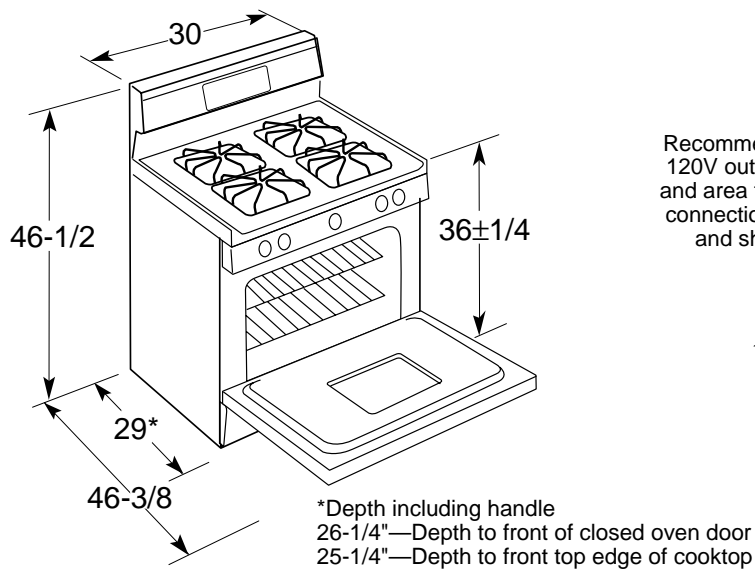




GE Appliances

JGBS22BEACT—GE 30" Free-Standing XL44™ Gas Range

Dimensions (in inches) and Installation Information



Optional Gas Range Accessory Drip Pans for Sealed and Standard Burner Models
(Available at additional cost)
To order these accessory drip pans, call toll-free 800-848-7722.

Electrical Rating: 120V, 60Hz, 5A

Installation Information: Before installing, consult installation instructions packed with product for current dimensional data.

For answers to your Monogram®, GE Profile™ or GE appliance questions, visit our website at GEAppliances.com or call GE Answer Center® service, 800.626.2000.



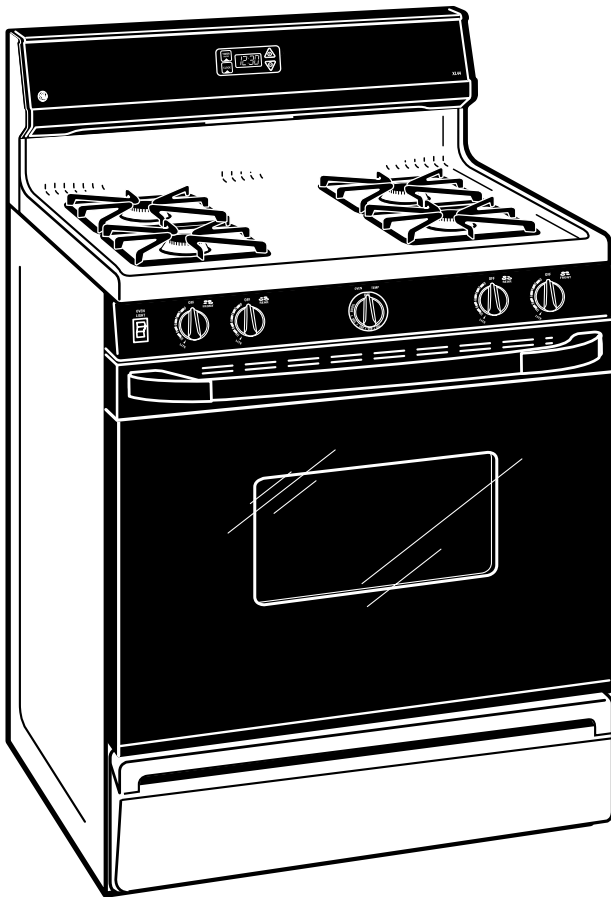
All GE ranges are equipped with an Anti-Tip device. The installation of this device is an important, required step in the installation of the range.





GE Appliances

JGBS22BEACT—GE 30" Free-Standing XL44™ Gas Range



Features and Benefits

- One-Piece Upswept Porcelain-Enameled Cooktop
- Sealed Cooktop Burners
- (4) 9,500/850 BTU All-Purpose Burners
- Black Standard Porcelain-Steel Square Grates
- Electronic Pilotless Ignition System
- Extra-Large 4.4 cu. ft. Standard Clean Oven
- Electronic Clock and Timer
- Slide Out Broiler Drawer
- Extra-Large Broiler Pan and Grid
- 2 Oven Racks / 6 Embossed Rack Positions
- Removable Frameless Glass Oven Door with Window
- Designer-Style Handle
- Optional Accessory One-Piece Drip Pans Available at Additional Cost
- Model JGBS22BEAWH—White
- Model JGBS22BEAAD—Almond
- Model JGBS22BEACT—Bisque