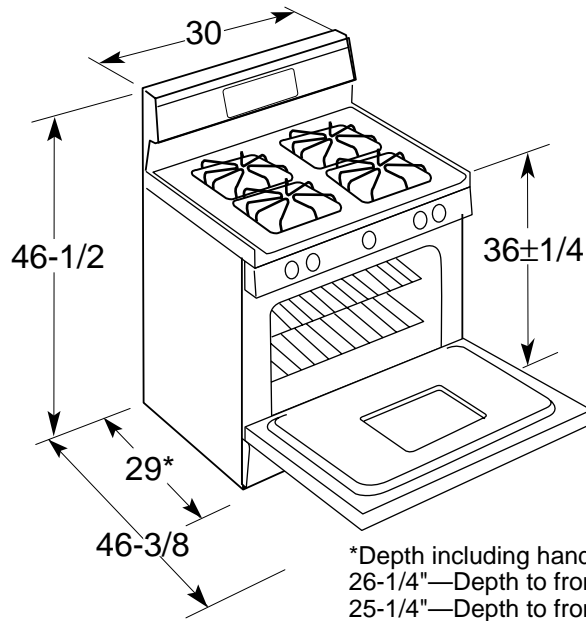




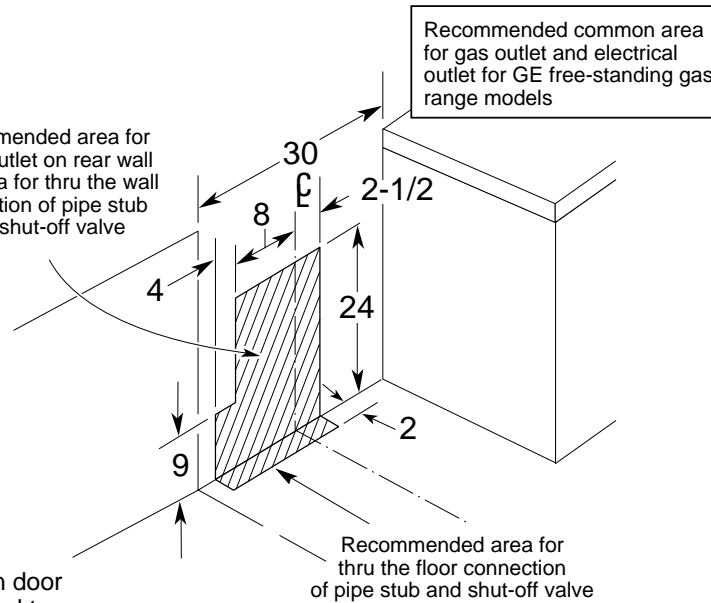
GE Appliances

JGBS23DEFBB – GE 30" Free-Standing XL44™ Gas Range

Dimensions (in inches) and Installation Information



Recommended area for 120V outlet on rear wall and area for thru the wall connection of pipe stub and shut-off valve



Optional Gas Range Accessory Drip Pans for Sealed and Standard Burner Models

(Available at additional cost)
To order these accessory drip pans, call toll-free 800-848-7722.

Electrical Rating: 120V, 60Hz, 5A

Installation Information: Before installing, consult installation instructions packed with product for current dimensional data.

Specification Revised 4/02



All GE ranges are equipped with an Anti-Tip device. The installation of this device is an important, required step in the installation of the range.

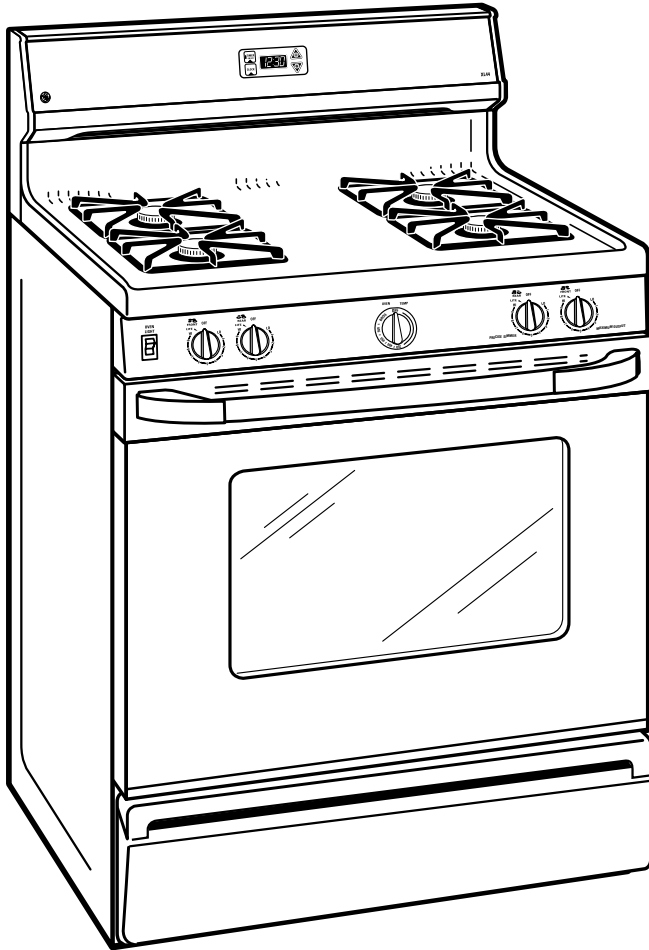


For answers to your Monogram®, GE Profile™ or GE appliance questions, visit our website at GEAppliance.com or call GE Answer Center® service, 800.626.2000.



GE Appliances

JGBS23DEFBB – GE 30" Free-Standing XL44™ Gas Range



Features and Benefits

- One-Piece Upswept Porcelain-Enameled Cooktop
- Sealed Cooktop Burners
- (1) 12,000/1,000 BTU Maximum Output Burner
- (1) 5,000/600 BTU Simmer Burner
- (2) 9,500/850 BTU All-Purpose Burners
- Deluxe Porcelain-Steel Square Grates
- Porcelain-Enameled One-Piece Drip Pans
- Electronic Pilotless Ignition System
- Extra-Large 4.4 cu. ft. Standard Clean Oven
- Electronic Clock and Timer
- Slide Out Broiler Drawer
- Extra-Large Broiler Pan and Grid
- 2 Oven Racks/6 Embossed Rack Positions
- Removable Frameless Glass Oven Door with Big View Window
- Designer-Style Handle
- Model JGBS23WEAWW – White on white
- Model JGBS23DEFBB – Black on black
- Model JGBS23CEACC – Bisque on bisque
- Model JGBS23BEAWH – White
- Model JGBS23BEACT – Bisque