

# JGBS23SEM

## GE® 30" Free-Standing Gas Range

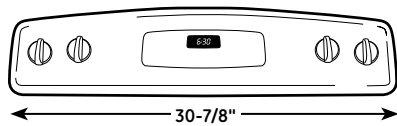
### Dimensions and Installation Information (in inches)

Factory set for Natural gas. A set of LP orifices is included with each range for LP conversion.

### Gas Self-Clean Range Anti-Tip Bracket (Part No. 205C1714P001)

**Electrical Rating:** 120V, 60Hz, 5A

**Installation Information:** Before installing, consult installation instructions packed with product for current dimensional data.

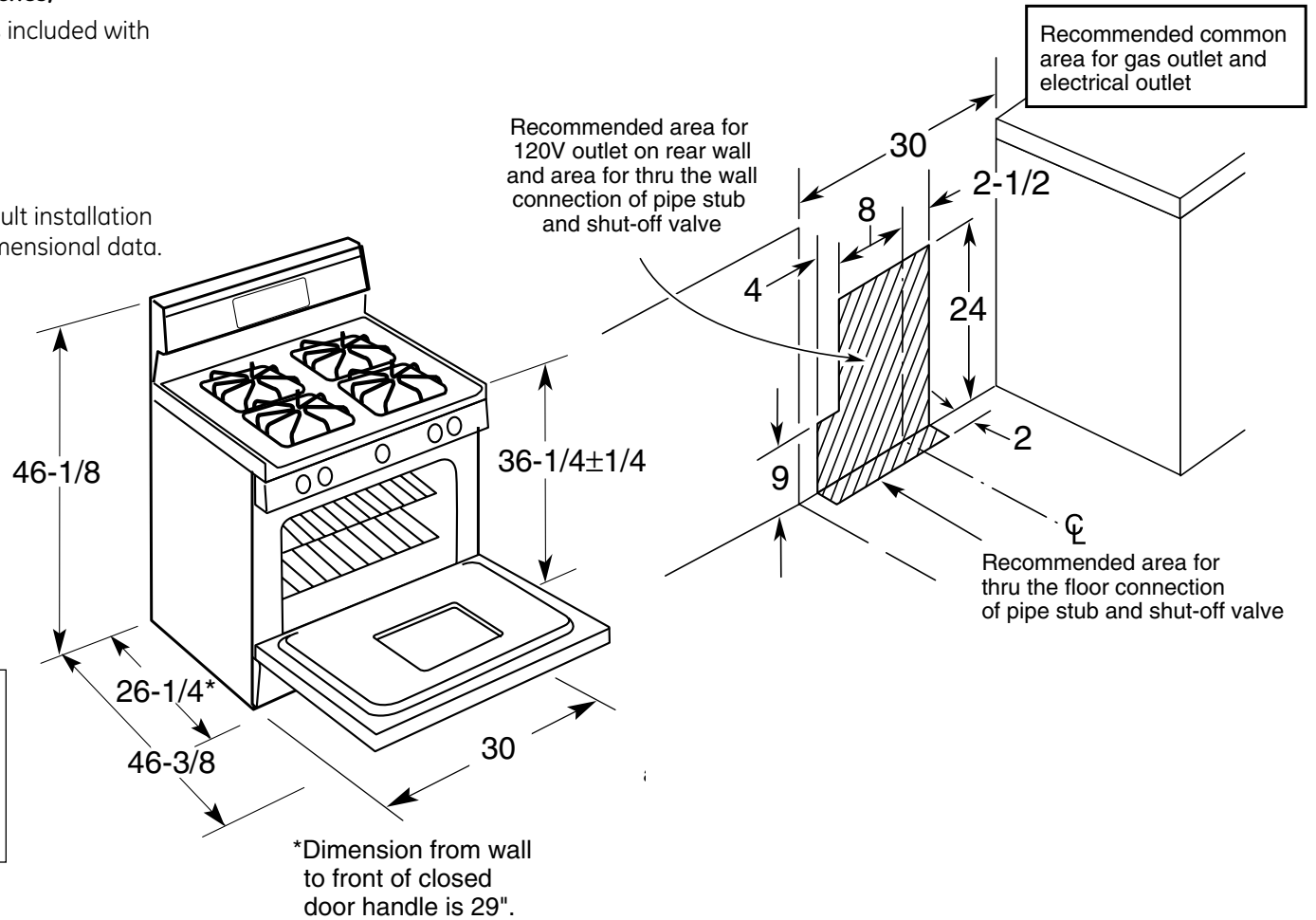


All 30" GE gas and electric range backguards are 30-7/8" wide.\*

**Note:** 30" ranges conform to U.L. requirements for 0" spacing from adjacent walls below countertops. To reduce possible scorching of walls, engineering recommends a minimum of 1-1/2" spacing to allow for possible extended, high heat, no-load heating element operation.

\*Except these models: JGBS07, JGBS04, JGBP90, all GE Profile free-standing electric and gas ranges  
Fits most countertop backsplash applications.  
Consult Use & Care Manual for detailed installation instructions.

For answers to your Monogram®, GE Profile™ or GE® appliance questions, visit our website at [ge.com](http://ge.com) or call GE Answer Center® service, 800.626.2000.



All GE ranges are equipped with an Anti-Tip device. The installation of this device is an important, required step in the installation of the range.

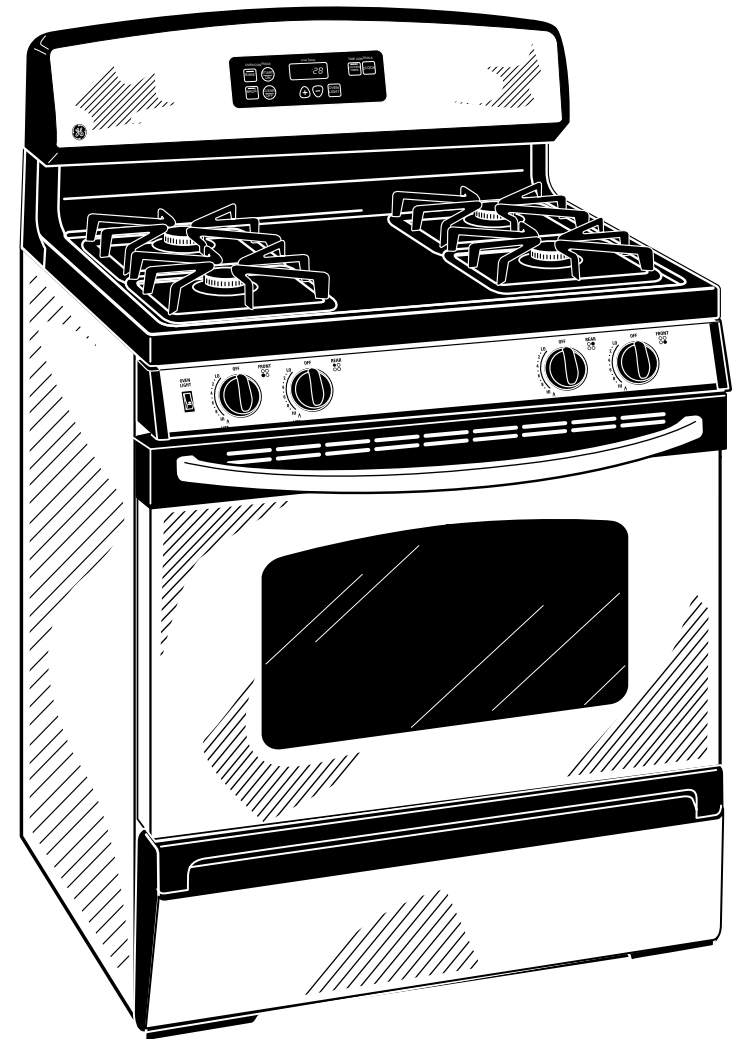


# JGBS23SEM

## GE® 30" Free-Standing Gas Range

### Features and Benefits

- Extra-Large Oven Capacity - Provides a large oven interior ideal for cooking more items at once
- Standard Clean Oven - Offers a traditional oven design that requires hand cleaning
- Precise Simmer Burner - Offers a low setting of 600 BTUs, ensuring more temperature control for simmering
- All Purpose Burners - Deliver a wide range of heat output ideal for most cooking requirements
- Sealed Cooktop Burners - Eliminate the space between the burners and the cooktop to help contain spills and boil over liquids, ensuring easy cleanup
- Electronic Clock And Timer - Features a convenient digital clock and easy-to-use timer with an audible signal to help coordinate cooking times in the kitchen
- Deluxe Grates - Provide a sturdy and durable cookware surface for everyday cooking
- Frameless Glass Oven Door - Offers an easy-to-clean and stylish design that blends seamlessly into existing cabinetry
- Big Hearth Oven Window - An extra large clear window makes monitoring the progress of the food easy
- Two Oven Racks - Feature a durable construction to help accommodate any size or type of cookware
- Model JGBS23SEMSS - Stainless steel (stainless steel door and black cooktop)



imagination at work