

# JGBS23SET

## GE® 30" Free-Standing Gas Range with Steam Clean

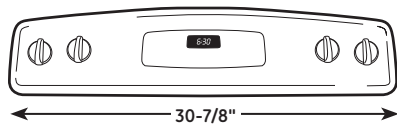
### Dimensions and Installation Information (in inches)

Factory set for Natural gas. A set of LP orifices is included with each range for LP conversion.

**Gas Self-Clean Range Anti-Tip Bracket**  
(Part No. 205C1714P001)

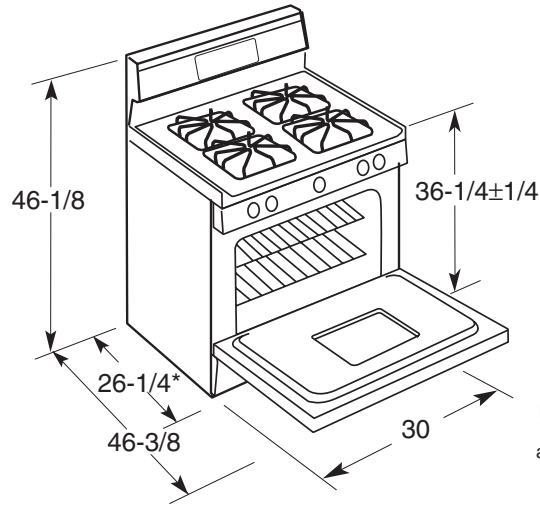
**Electrical Rating:** 120V, 60Hz, 5A

**Installation Information:** Before installing, consult installation instructions packed with product for current dimensional data.

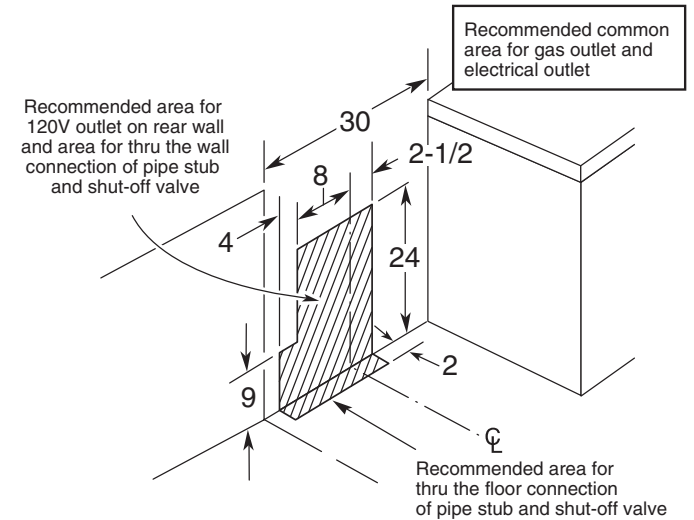


All 30" GE gas and electric range backguards are 30-7/8" wide.\*

\*Except these models: JGBS07, JGBS04, JGBP90, all GE Profile free-standing electric and gas ranges  
Fits most countertop backsplash applications.  
Consult Use & Care Manual for detailed installation instructions.



\*Dimension from wall to front of closed door handle is 29".



For answers to your Monogram®, GE Profile™ or GE® appliance questions, visit our website at [geappliances.com](http://geappliances.com) or call GE Answer Center® service, 800.626.2000.



imagination at work



All GE ranges are equipped with an Anti-Tip device. The installation of this device is an important, required step in the installation of the range.



Specification Revised 7/11

330402

# JGBS23SET

## GE® 30" Free-Standing Gas Range with Steam Clean

### Features and Benefits

- 4.8 cu. ft. capacity - More room for cooking more dishes at once
- Steam clean cycle - The power of steam loosens baked-on foods and assists in oven cleaning
- High output burner - This 12,500 BTU burner element provides the high heat ideal for frying or sautéing and fast heat-up
- Precise simmer burner - Delivers a low setting of 140 degrees, ideal for delicate foods and sauces
- Big hearth window - Elegant shaped window makes it easy to monitor the progress of food
- Model JGBS23SETSS - Stainless steel (stainless steel door and black cooktop)



imagination at work