

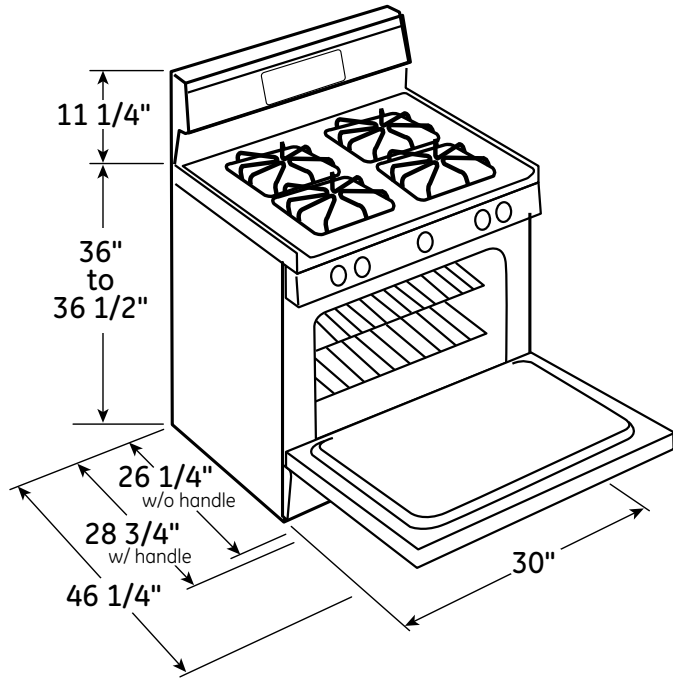
# JGBS64REF

## GE® 30" Free-Standing Gas Range

### Dimensions and Installation Information (in inches)

**Electrical Rating:** 120V, 60Hz, 15A

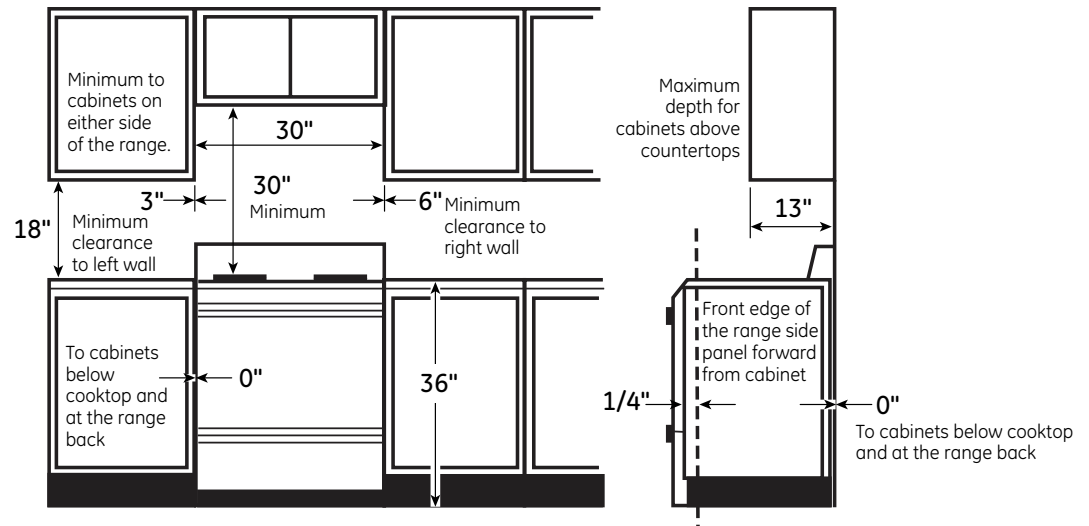
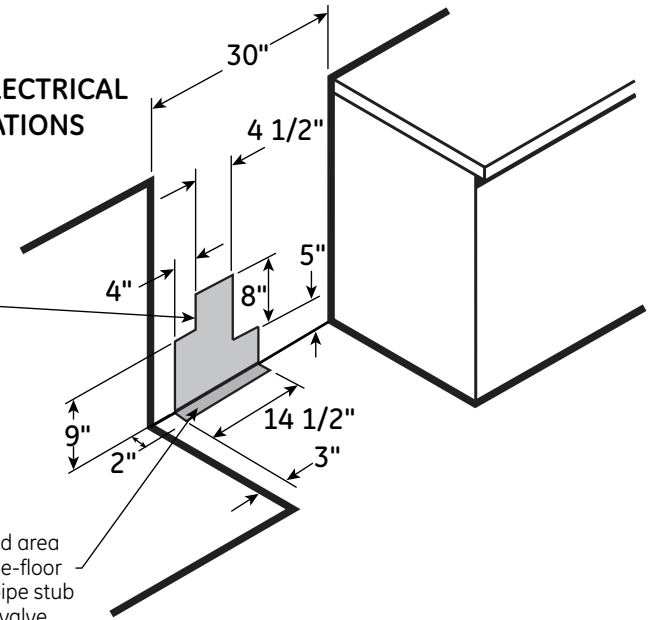
**Installation Information:** Before installing, consult installation instructions packed with product for current dimensional data.



### GAS PIPE AND ELECTRICAL OUTLET LOCATIONS

Recommended area for 120V outlet on rear wall and area for through-the-wall connection of pipe stub and shut-off valve.

Recommended area for through-the-floor connection of pipe stub and shut-off valve.



For answers to your Monogram® or GE® appliance questions, visit our website at [geappliances.com](http://geappliances.com) or call GE Answer Center® service, 800.626.2000.



All GE ranges are equipped with an Anti-Tip device. The installation of this device is an important, required step in the installation of the range.



Specification Revised 10/13

330460

# JGBS64REF

## GE® 30" Free-Standing Gas Range

### Features and Benefits

- 15,000 BTU Power Boil burner - Delivers high heat for fast boiling
- Center Round Burner - Ideal for delicate foods and sauces
- Precise Simmer Burner - Delicate foods don't burn with low, even heat
- Heavy-Cast Continuous Grates - Allow for easy movement of pans between burners
- Deep-Recessed Cooktop - Contains spills for quick and easy cleaning
- Sealed Cooktop Burners - Contains spills and make cleaning quick and easy
- Standard Clean Oven - Smooth surface and rounded corners make clean-up quick and easy
- Model JGBS64REFSS - Stainless steel

