

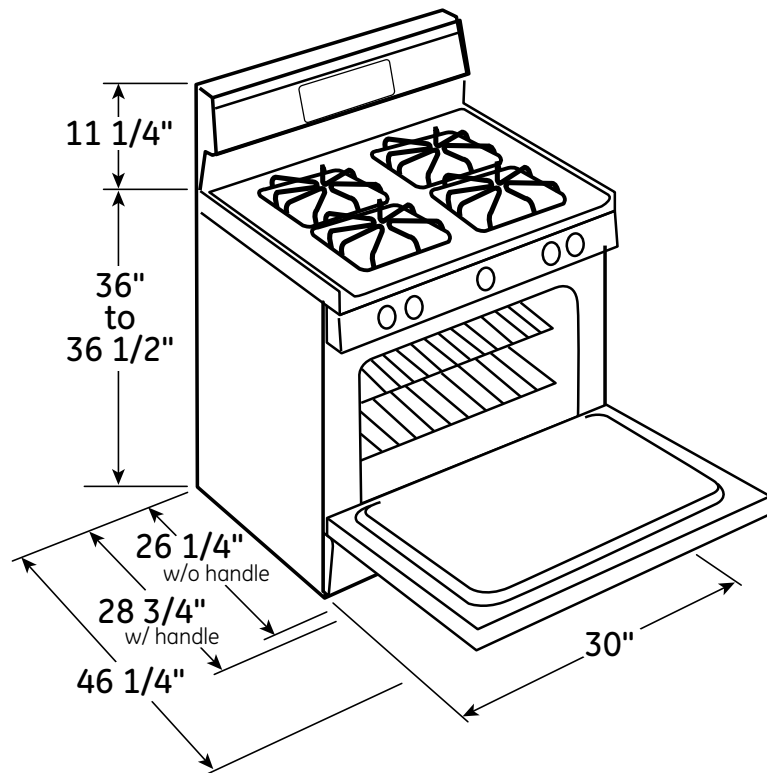
# JGBS65DEF

## GE® Series 30" Free-Standing Gas Range

### DIMENSIONS AND INSTALLATION INFORMATION (IN INCHES)

**ELECTRICAL RATING:** 120V, 60Hz, 15A

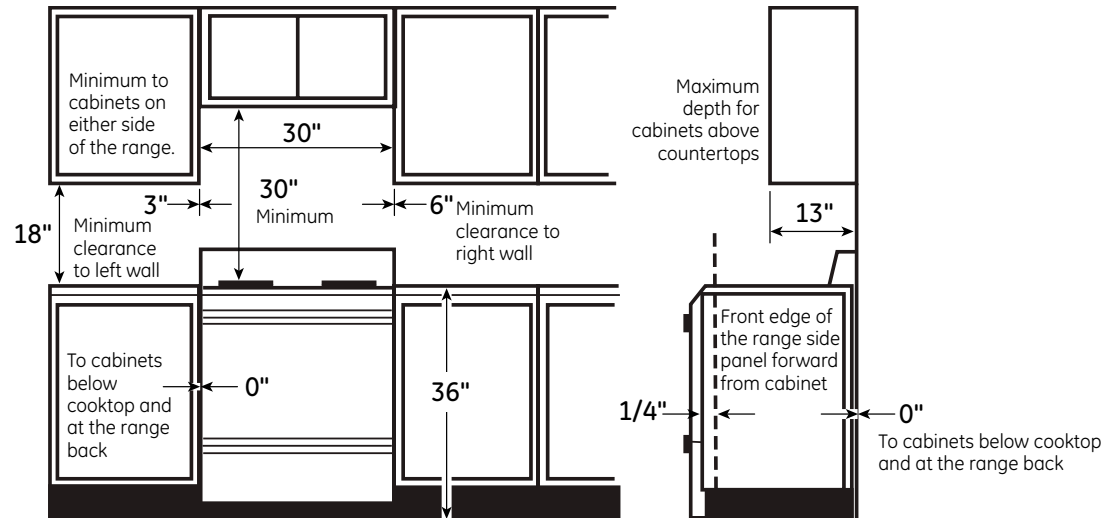
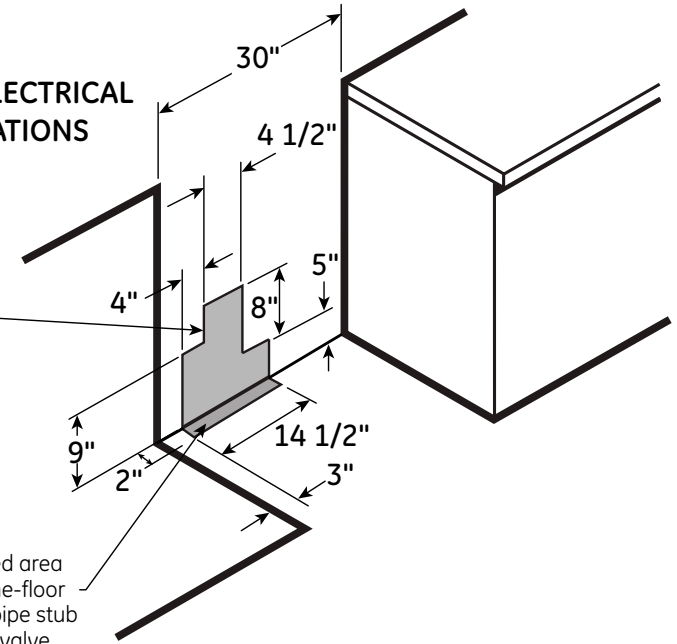
**INSTALLATION INFORMATION:** Before installing, consult installation instructions packed with product for current dimensional data.



### GAS PIPE AND ELECTRICAL OUTLET LOCATIONS

Recommended area for 120V outlet on rear wall and area for through-the-wall connection of pipe stub and shut-off valve.

Recommended area for through-the-floor connection of pipe stub and shut-off valve.



**GE APPLIANCES**

For answers to your Monogram,® GE Profile™ or GE® appliance questions, visit our website at [geappliances.com](http://geappliances.com) or call GE Answer Center® service, 800.626.2000.



All GE ranges are equipped with an Anti-Tip device. The installation of this device is an important, required step in the installation of the range.



# JGBS65DEF

## GE® Series 30" Free-Standing Gas Range

### FEATURES AND BENEFITS

7,000 BTU Power Boil Burner – Delivers high heat for fast boiling

Center Oval Burner – Large oval fifth burner is ideal for griddle or odd-size cookware

Precise Simmer Burner – Delicate foods don't burn with low, even heat

Heavy-Cast, Continuous Grates – Allow for easy movement of pans between burners

Non-Stick Griddle – Large non-stick surface perfect for griddle cooking

Deep-Recessed Cooktop – Contains spills for quick and easy cleaning

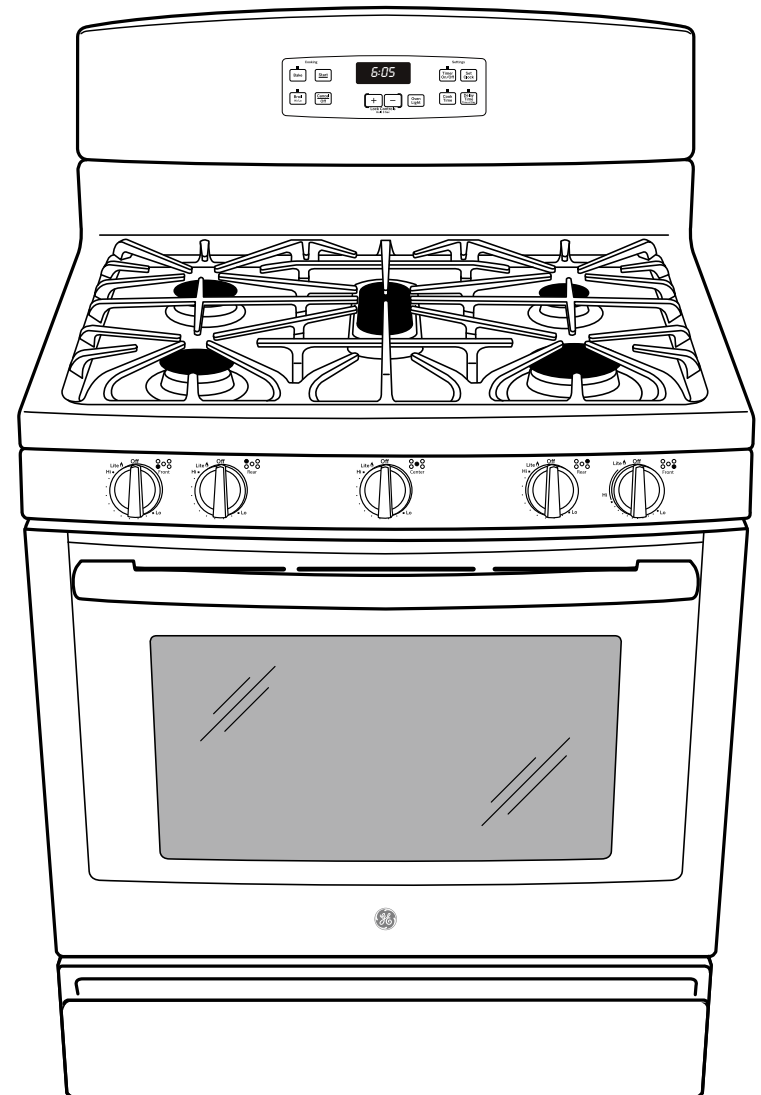
Sealed Cooktop Burners – Contains spills and make cleaning quick and easy

Standard Clean Oven – Smooth surface and rounded corners make clean-up quick and easy

5.0 cu. ft. capacity – Enough room to cook an entire meal at once

Model JGBS65DEFBB – Black on black

Model JGBS65DEFWW – White on white



GE APPLIANCES